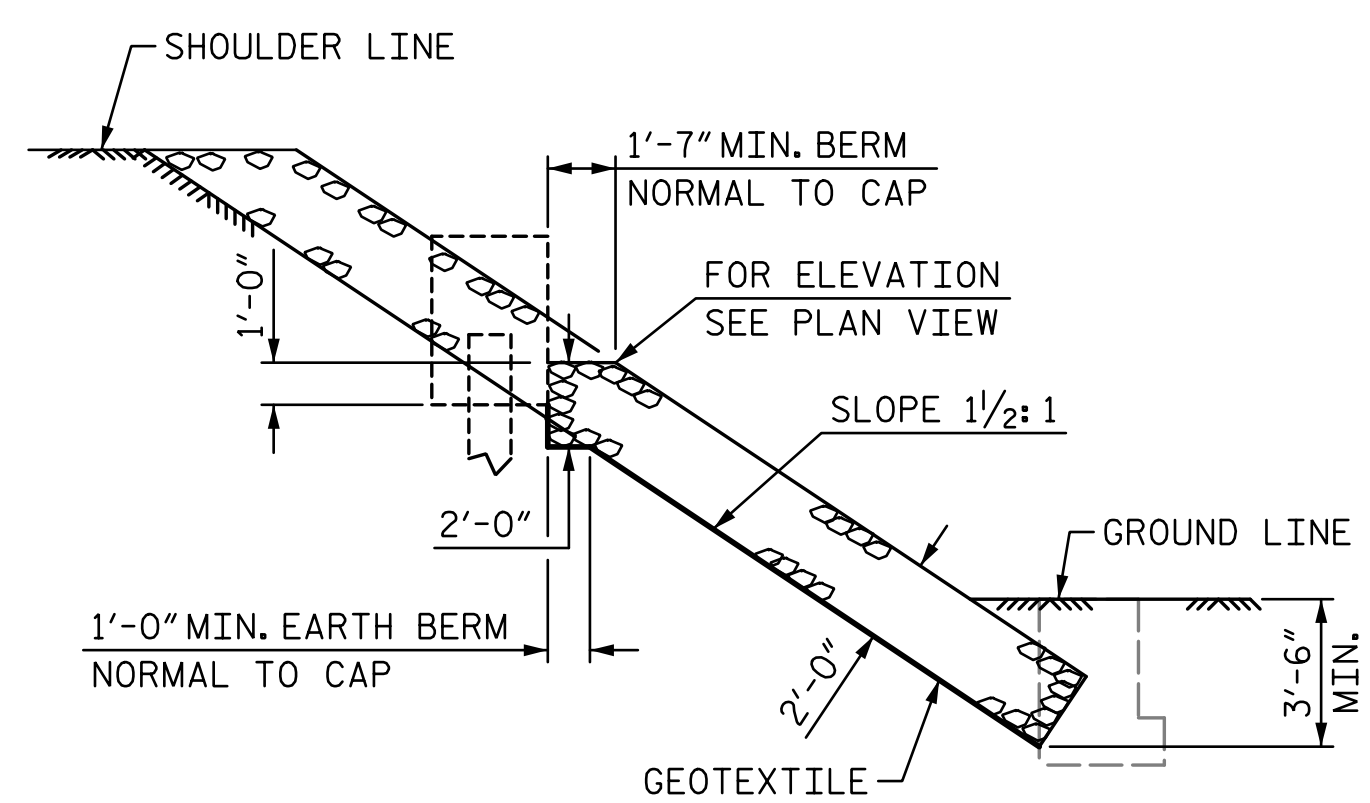
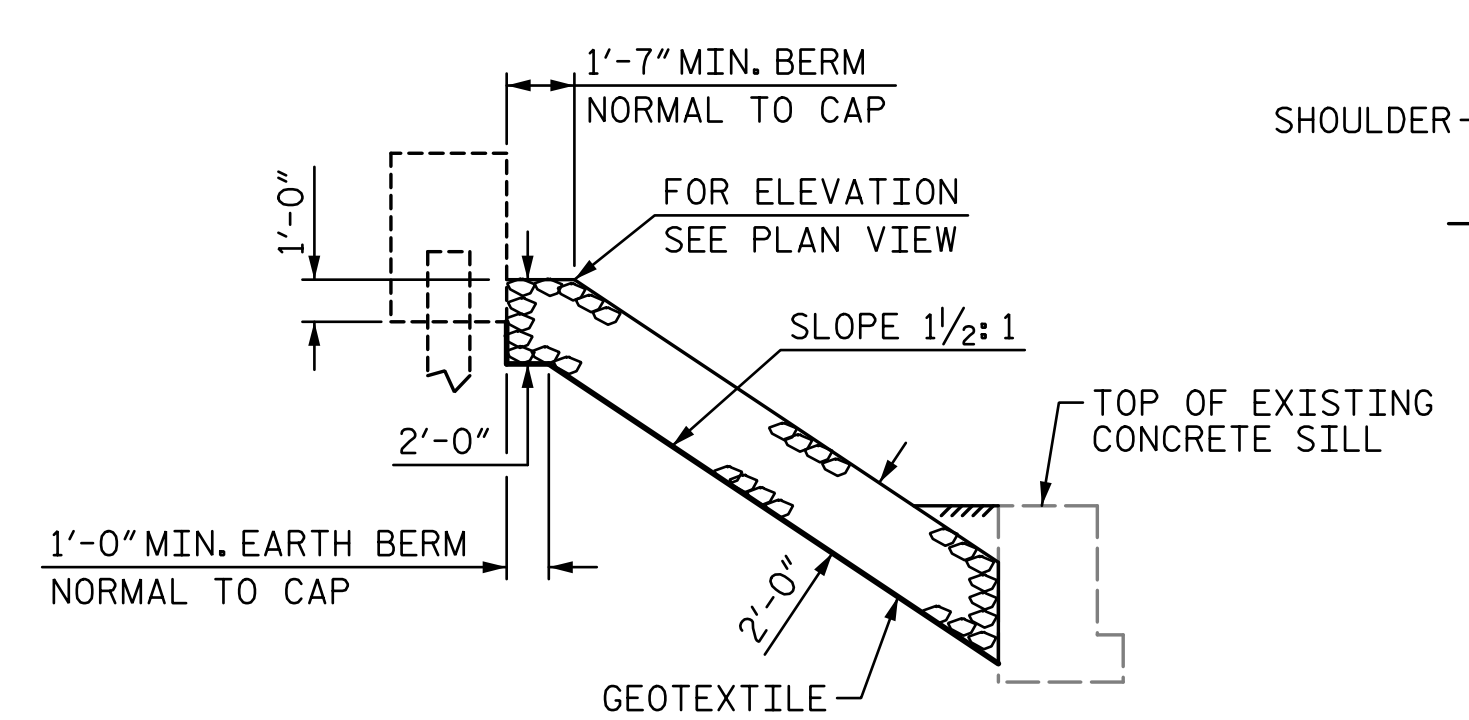


PLAN - END BENT 1

PLAN - END BENT 2

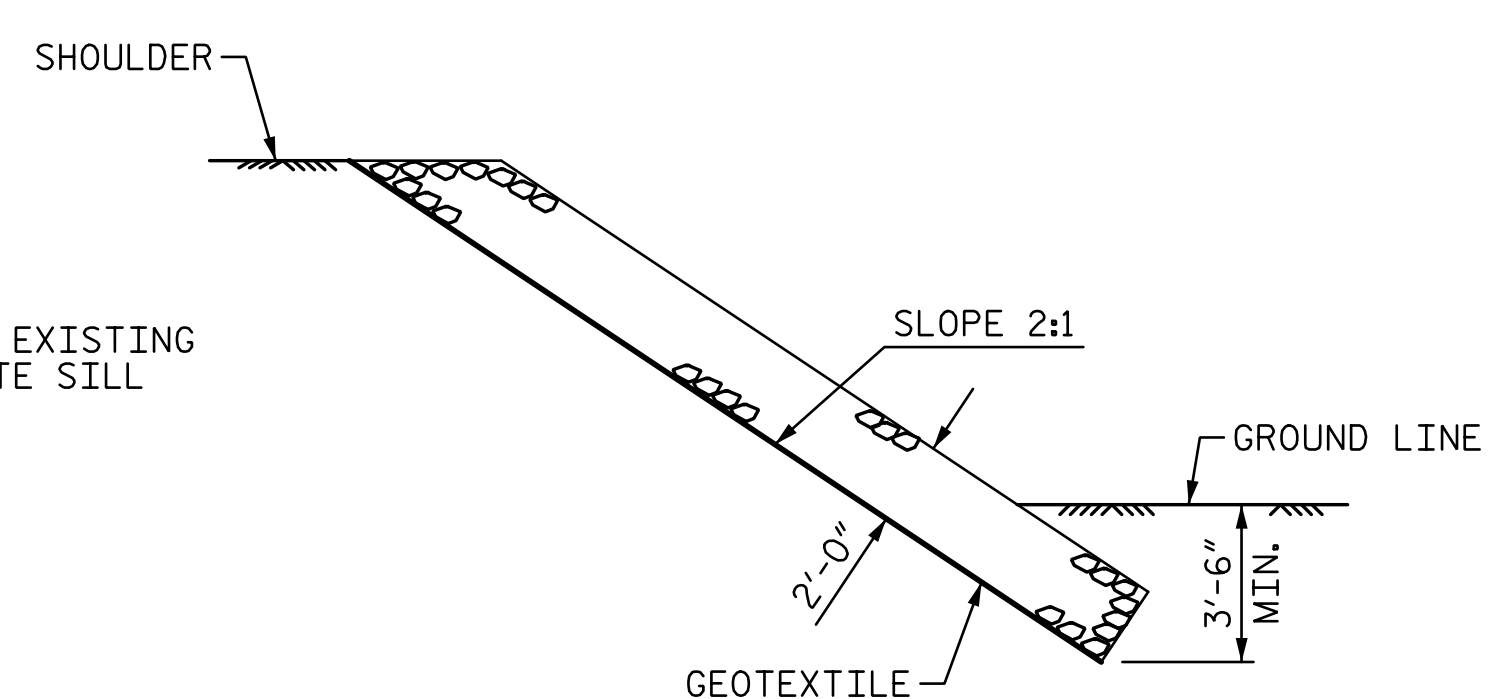


SECTION H-H



SECTION C-C

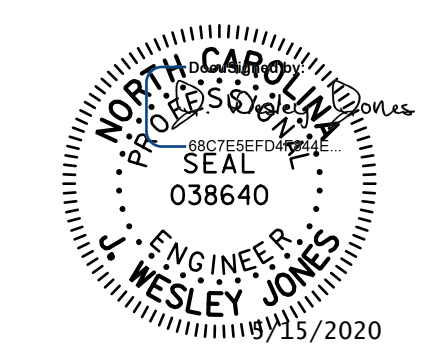
BERM RIP RAPPED
END BENT 1 SHOWN, END BENT 2 SIMILAR



SECTION C-C

ESTIMATED QUANTITIES		
BRIDGE @ STA. 16+09.00 -L-	RIP RAP CLASS II (2'-0" THICK)	GEOTEXTILE FOR DRAINAGE
	TONS	SQUARE YARDS
END BENT 1	125	140
END BENT 2	150	165

PROJECT NO. BR-0127
YADKIN COUNTY
 STATION: 16+09.00 -L-



STATE OF NORTH CAROLINA
 DEPARTMENT OF TRANSPORTATION
 RALEIGH

RIP RAP DETAILS

STV 100 YEARS
 STV ENGINEERS, INC.
 900 West Trade St., Suite 715
 Charlotte, NC 28202
 NC License Number F-0991

DOCUMENT NOT CONSIDERED
 FINAL UNLESS ALL
 SIGNATURES COMPLETED

REVISIONS					SHEET NO.
NO.	BY:	DATE:	NO.	BY:	DATE:
1			3		
2			4		

S-12
 TOTAL SHEETS 13

R:\Structures\ustation\Finals\401_023_BR-0127_SML_PRR_012_980189.dgn
 4:00:51 PM
 4/14/2020
 Jones

DRAWN BY : WAW DATE : 10-19
 CHECKED BY : JWJ DATE : 1-20
 DESIGN ENGINEER OF RECORD : JWJ DATE : 4-20