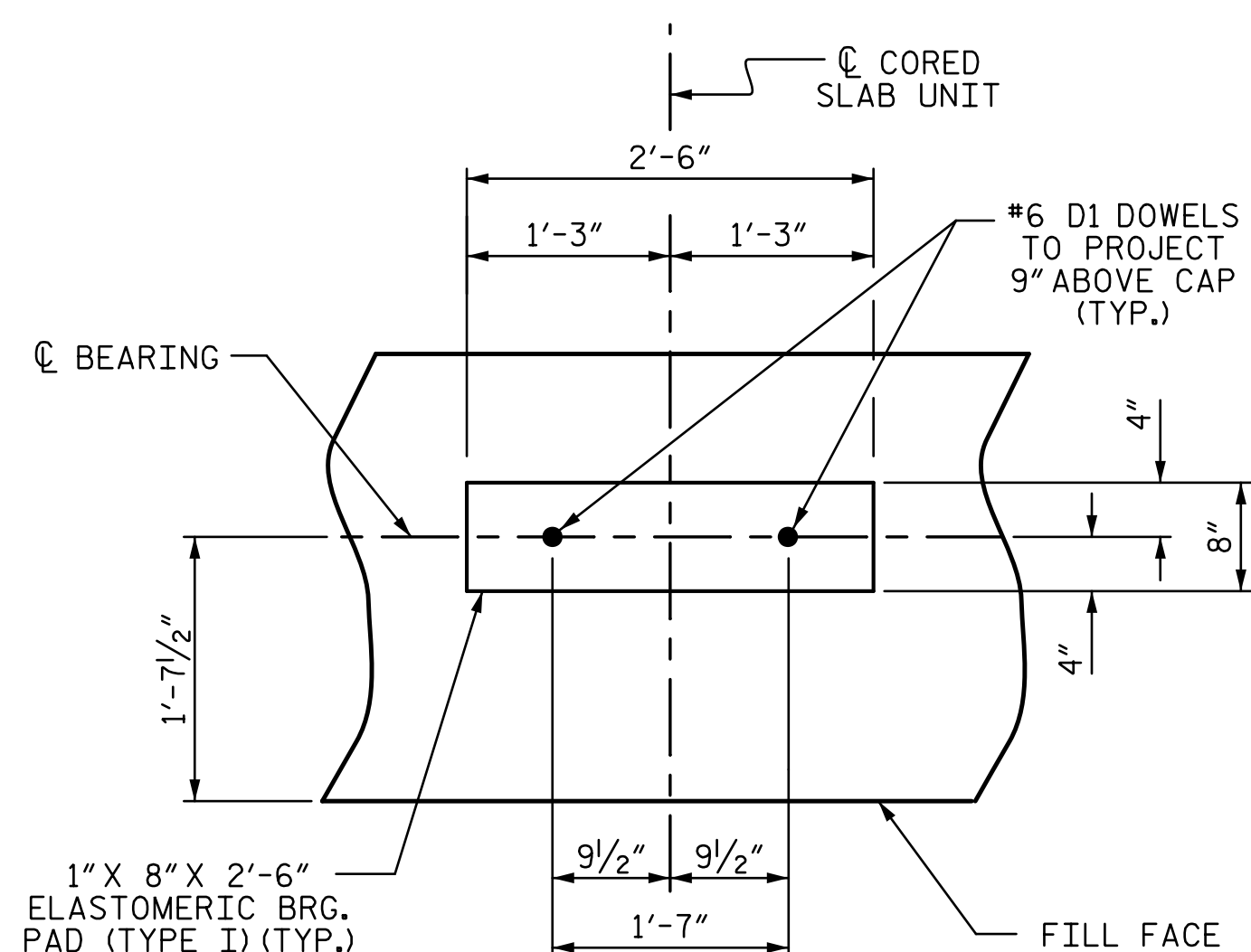


BAGGED STONE AND PIPE SHALL BE PLACED IMMEDIATELY AFTER COMPLETION OF END BENT EXCAVATION. PIPE MAY BE EITHER CONCRETE, CORRUGATED STEEL, CORRUGATED ALUMINUM ALLOY, OR CORRUGATED PLASTIC. PERFORATED PIPE WILL NOT BE ALLOWED.

BAGGED STONE SHALL REMAIN IN PLACE UNTIL THE ENGINEER DIRECTS THAT IT BE REMOVED. THE CONTRACTOR SHALL REMOVE AND DISPOSE OF SILT ACCUMULATIONS AT BAGGED STONE WHEN SO DIRECTED BY THE ENGINEER. BAGS SHALL BE REMOVED AND REPLACED WHENEVER THE ENGINEER DETERMINES THAT THEY HAVE DETERIORATED AND LOST THEIR EFFECTIVENESS.

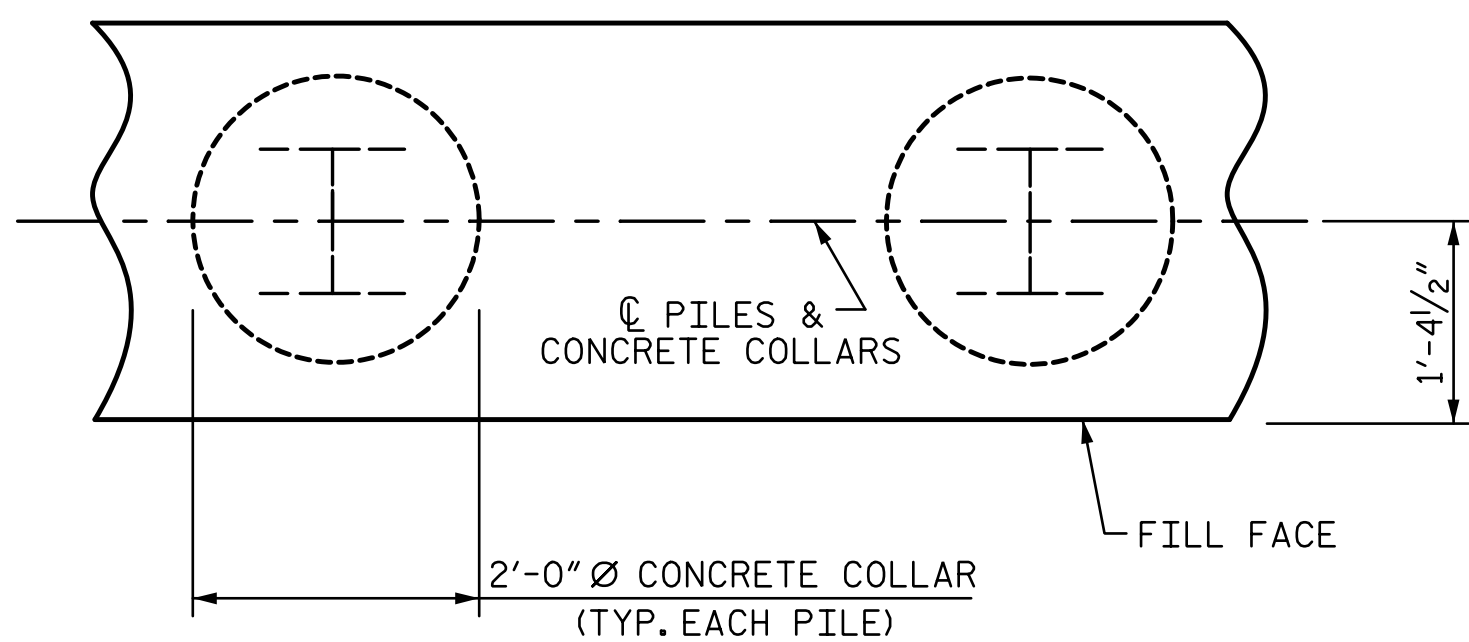
NO SEPARATE PAYMENT WILL BE MADE FOR THIS WORK AND THE ENTIRE COST OF THIS WORK SHALL BE INCLUDED IN THE UNIT CONTRACT PRICE BID FOR THE SEVERAL PAY ITEMS.

TEMPORARY DRAINAGE AT END BENT



DETAIL "A"

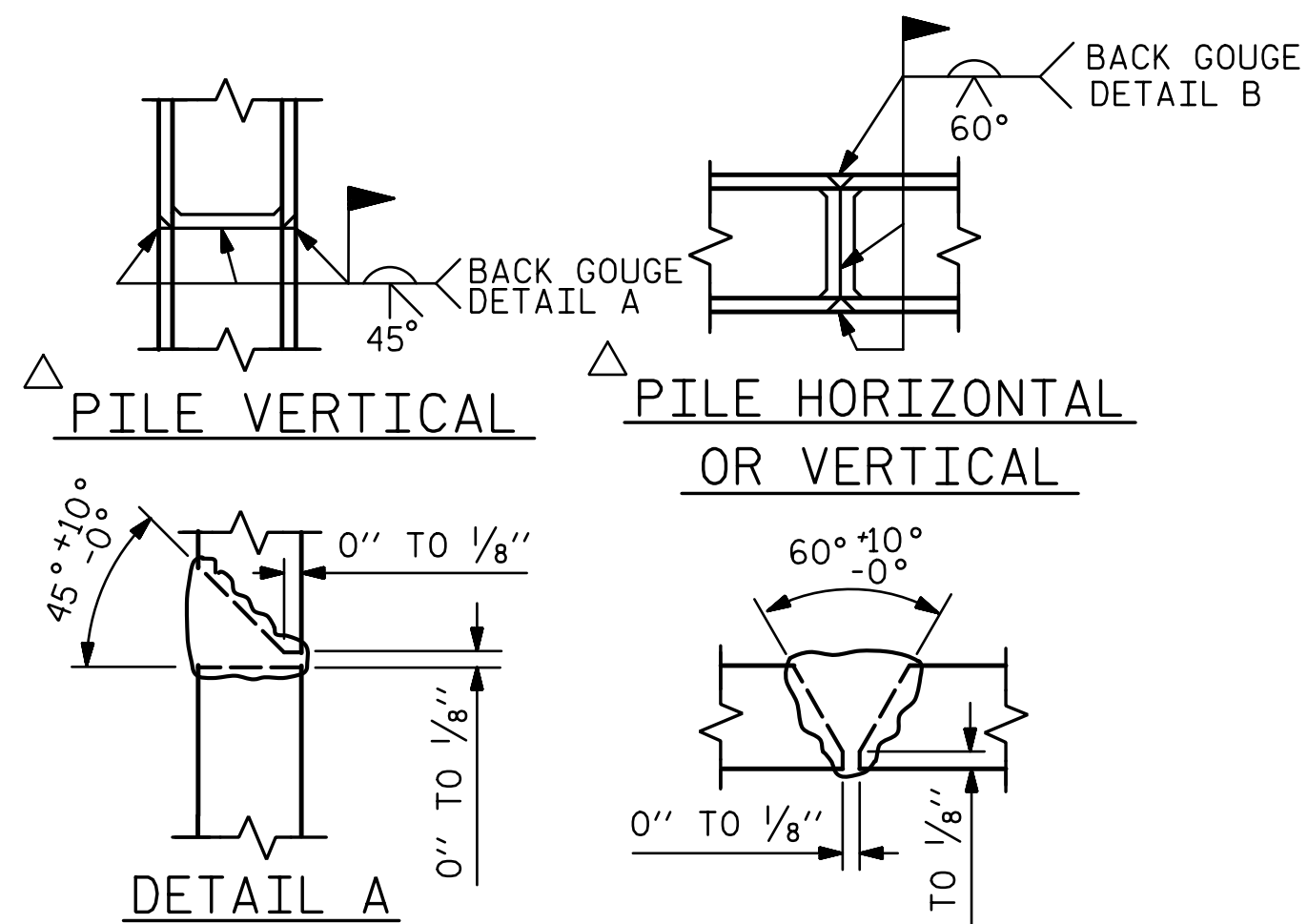
(END BENT No. 1 SHOWN, END BENT No. 2 SIMILAR BY ROTATION)



PLAN

CORROSION PROTECTION FOR STEEL PILES DETAIL

(END BENT No. 1 SHOWN, END BENT No. 2 SIMILAR BY ROTATION)



POSITION OF PILE DURING WELDING.

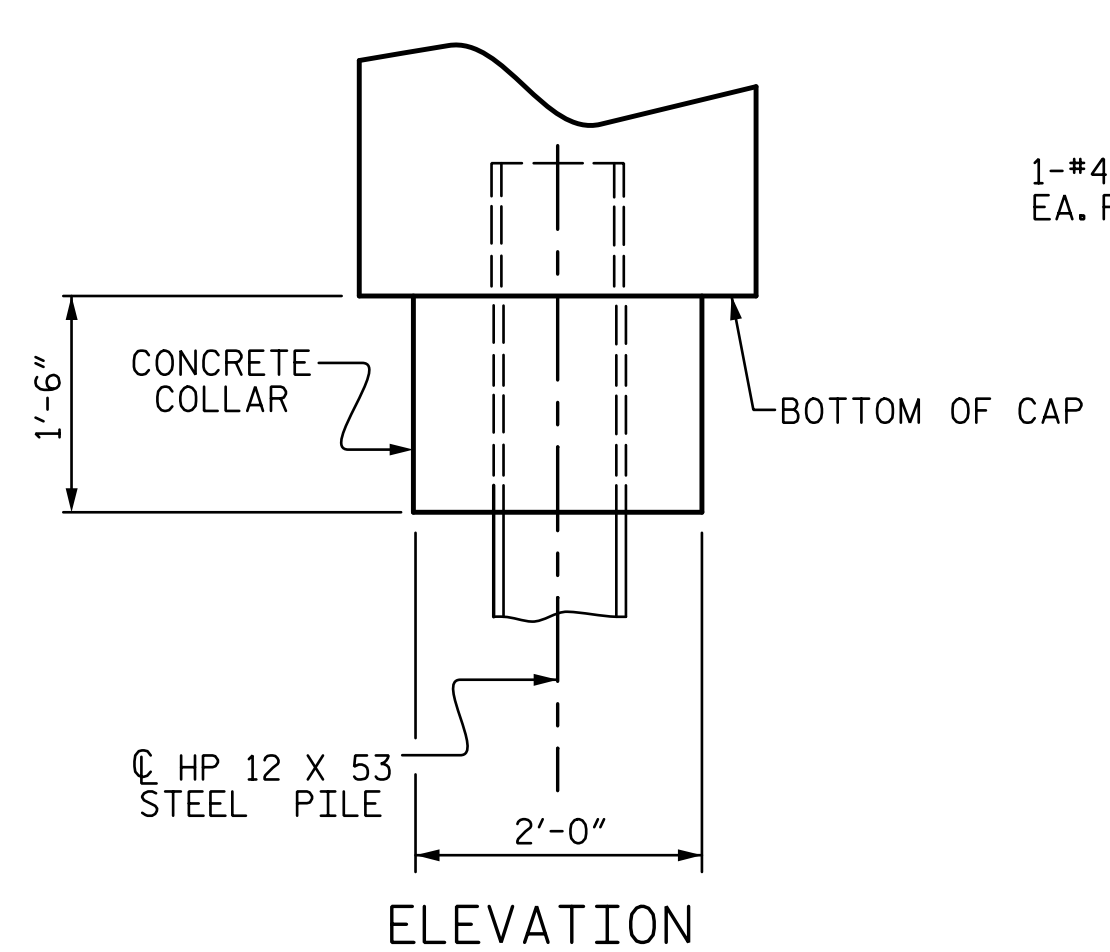
PILE SPLICE DETAILS

BAR TYPES	
①	④
②	⑤
③	

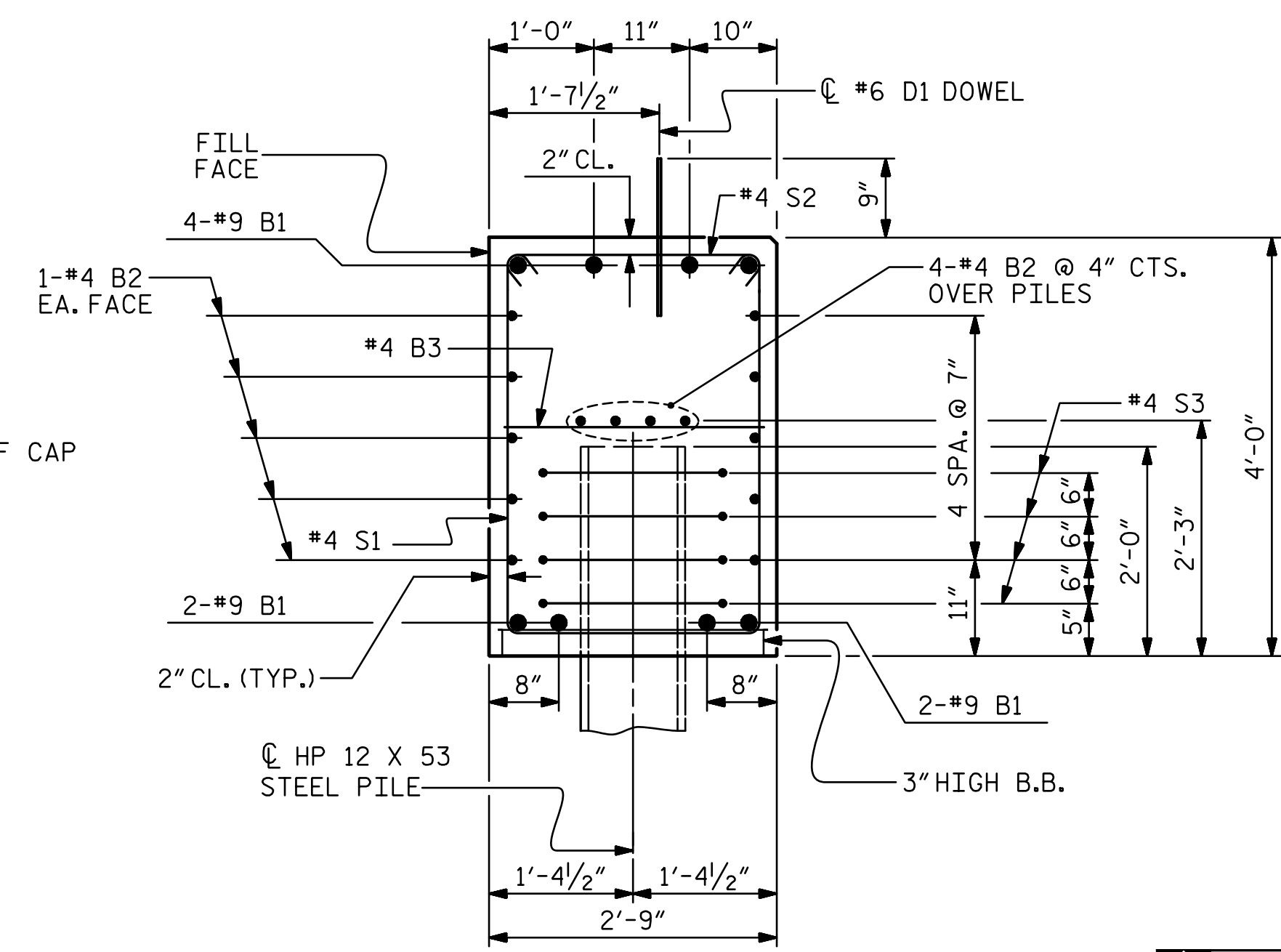
ALL BAR DIMENSIONS ARE OUT TO OUT.

END BENT No. 1	END BENT No. 2
HP 12 X 53 STEEL PILES NO: 5 LIN. FT.= 75	HP 12 X 53 STEEL PILES NO: 5 LIN. FT.= 75
PILE DRIVING EQUIPMENT SETUP FOR HP 12 X 53 STEEL PILES NO: 5	PILE DRIVING EQUIPMENT SETUP FOR HP 12 X 53 STEEL PILES NO: 5
PILE EXCAVATION IN SOIL LIN. FT.= 28	PILE EXCAVATION IN SOIL LIN. FT.= 22
PILE EXCAVATION NOT IN SOIL LIN. FT.= 22	PILE EXCAVATION NOT IN SOIL LIN. FT.= 28

BILL OF MATERIAL FOR ONE END BENT					
BAR NO.	NO.	SIZE	TYPE	LENGTH	WEIGHT
B1	8	#9	1	38'-0"	1034
B2	28	#4	STR	19'-1"	357
B3	9	#4	STR	2'-5"	15
D1	20	#6	STR	1'-6"	45
H1	40	#4	2	9'-4"	249
K1	16	#4	STR	2'-11"	31
S1	46	#4	3	10'-5"	320
S2	46	#4	4	3'-2"	97
S3	20	#4	5	6'-6"	87
V1	52	#4	STR	6'-2"	214
REINFORCING STEEL (FOR ONE END BENT)					2449 LBS.
CLASS A CONCRETE BREAKDOWN (FOR ONE END BENT)					
POUR #1	CAP, LOWER PART OF WINGS & COLLARS			17.9 C.Y.	
POUR #2	UPPER PART OF WINGS			2.3 C.Y.	
TOTAL CLASS A CONCRETE					20.2 C.Y.

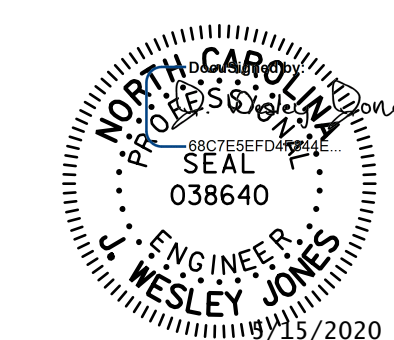


ELEVATION



SECTION A-A

(CONCRETE COLLAR NOT SHOWN FOR CLARITY. SEE "CORROSION PROTECTION FOR STEEL PILES DETAIL.")



STV ENGINEERS, INC.
900 West Trade St., Suite 715
Charlotte, NC 28202
NC License Number F-0991

DOCUMENT NOT CONSIDERED FINAL UNLESS ALL SIGNATURES COMPLETED

PROJECT NO. BR-0127
YADKIN COUNTY
STATION: 16+09.00 -L-
SHEET 4 OF 4

STATE OF NORTH CAROLINA
DEPARTMENT OF TRANSPORTATION
RALEIGH
SUBSTRUCTURE
END BENT No. 1 & 2
DETAILS

REVISIONS				SHEET NO.
NO.	BY:	DATE:	NO.	DATE:
1			3	
2			4	

S-11
TOTAL SHEETS 13

R:\Structures\ustation\Finals\40L02LBR-0127_SMU_E4_01_980189.dgn 4:00:49 PM 4/14/2020 Jones