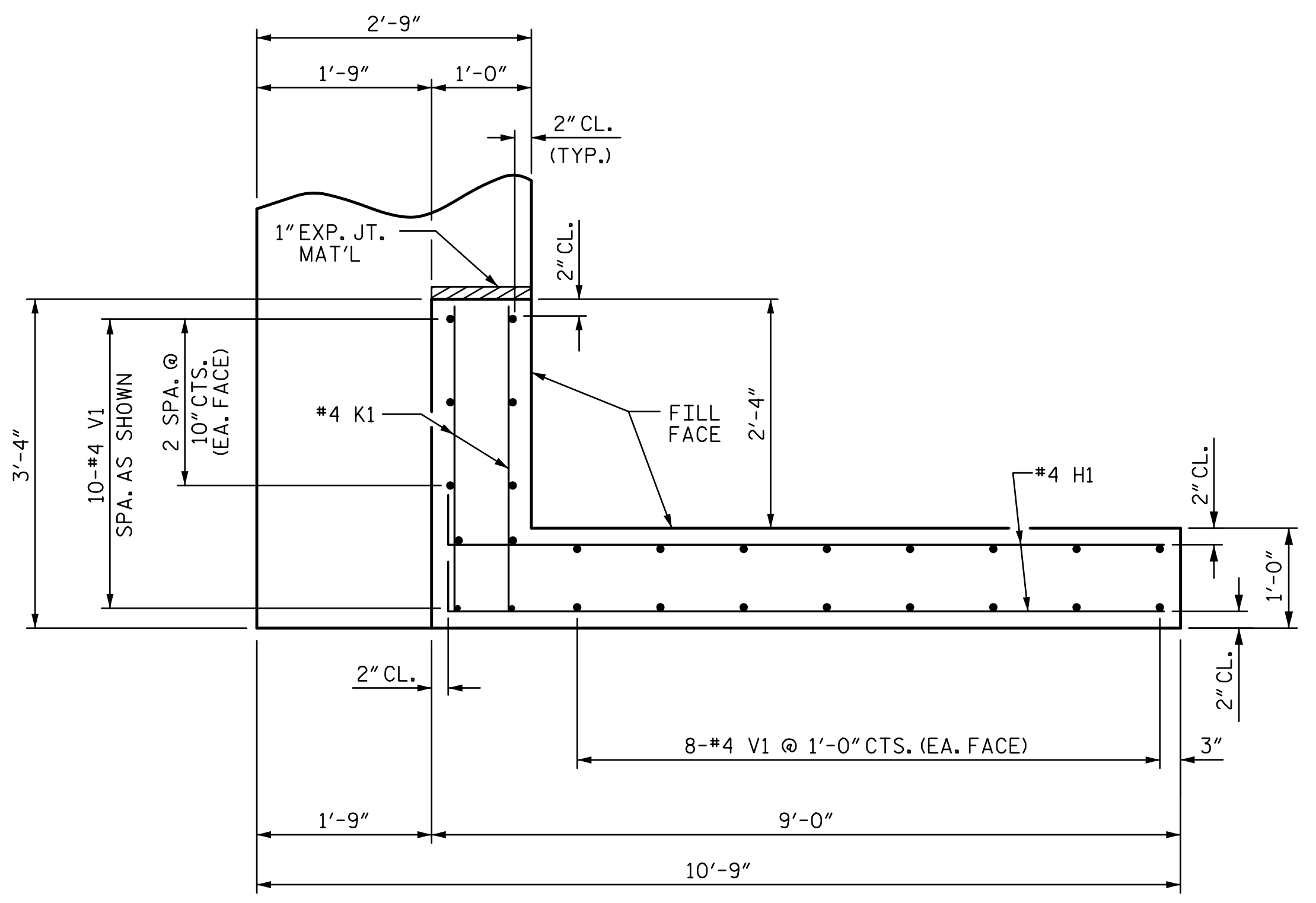
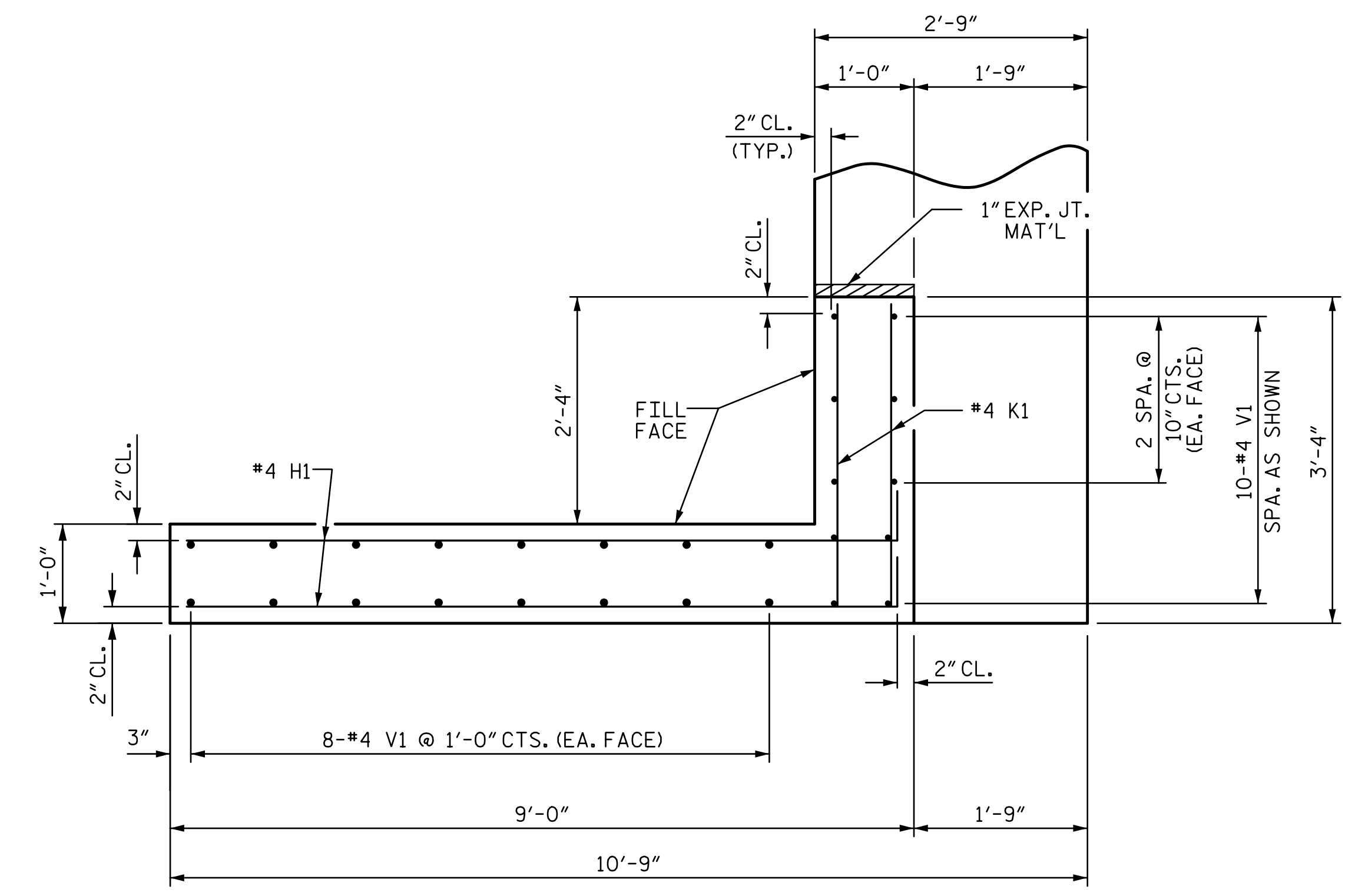


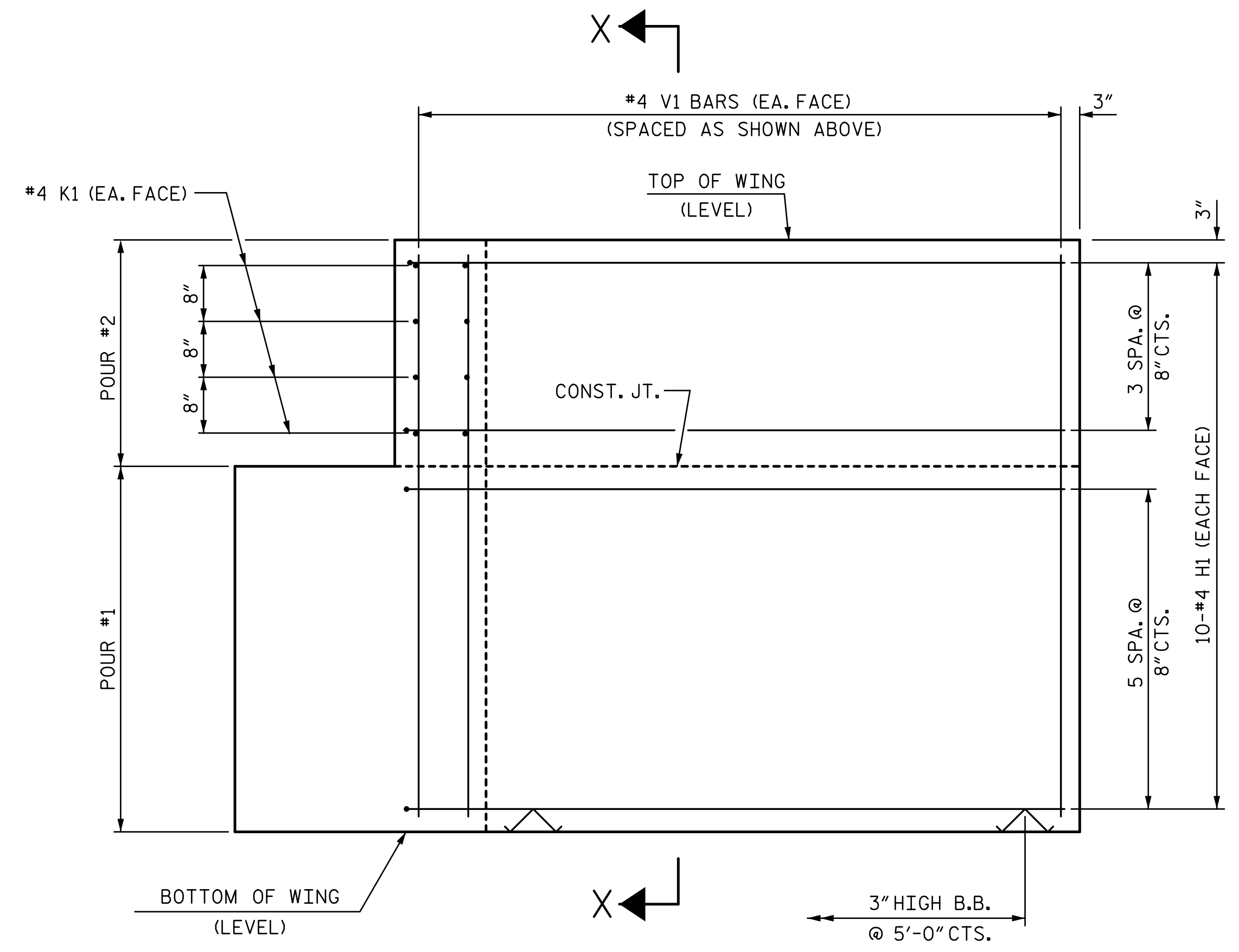
R:\Structures\ustation\Finals\401_019_BR-0127_SMU.E3_010_980189.dgn 4/14/2020 4:00:48 PM JJones



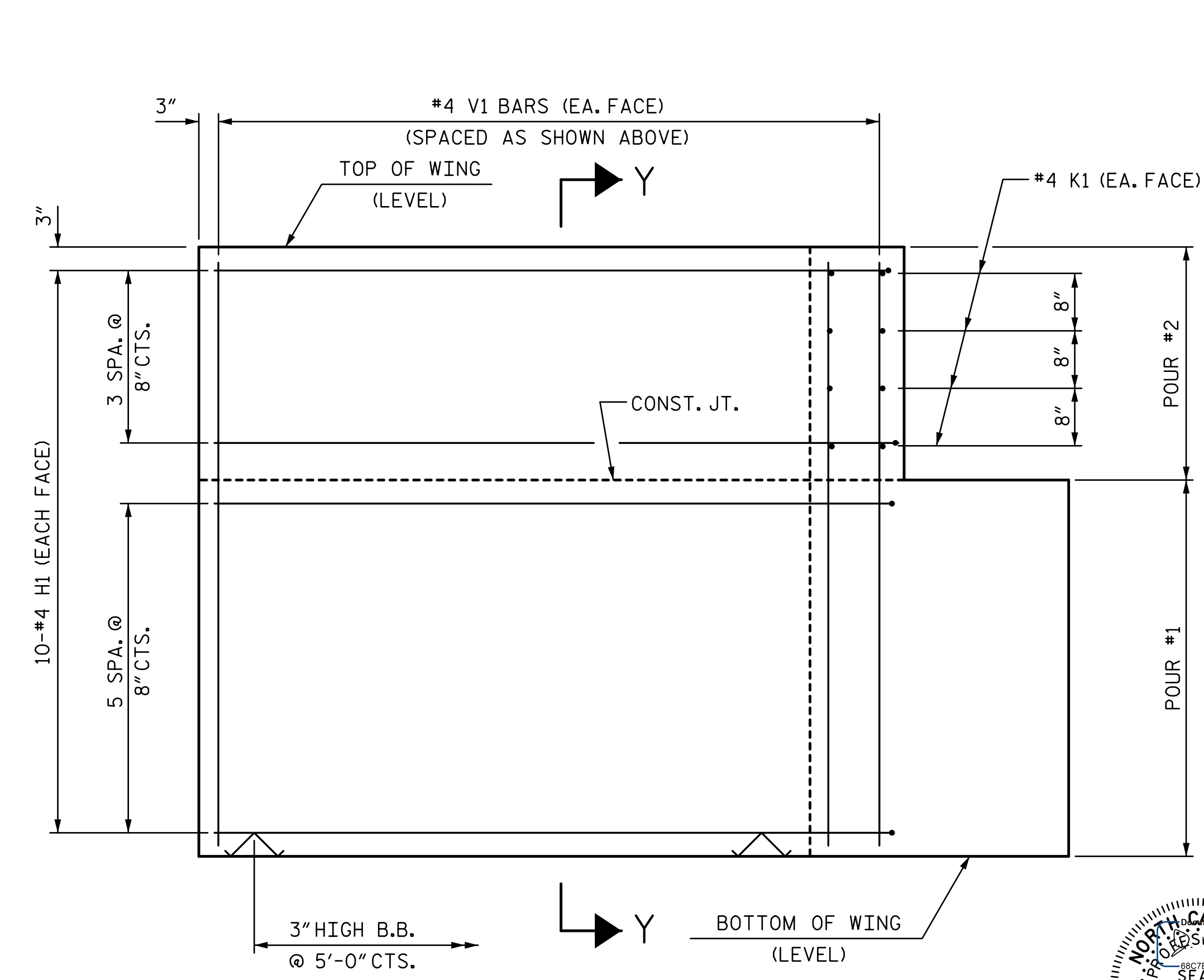
PLAN OF WING (W1)



PLAN OF WING (W2)

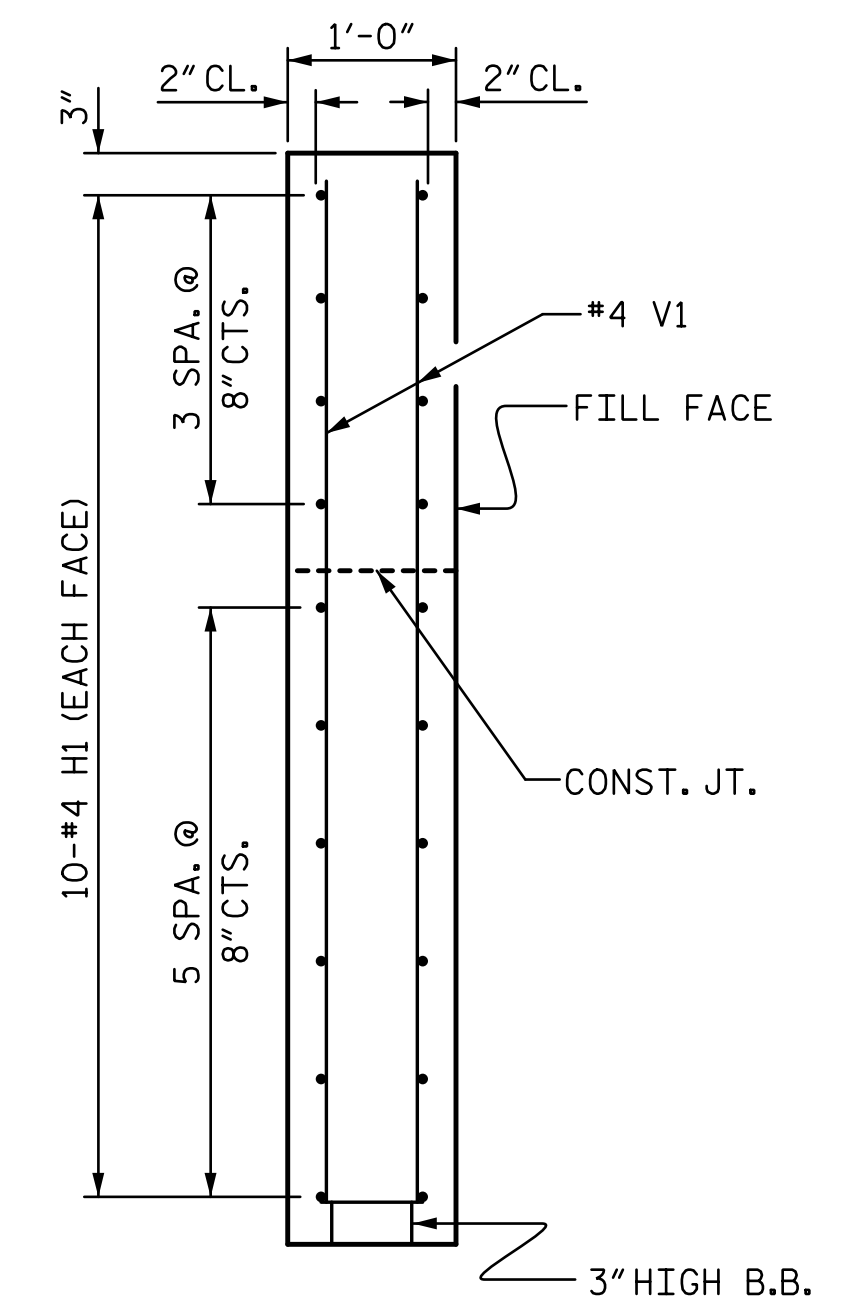


ELEVATION OF WING (W1)

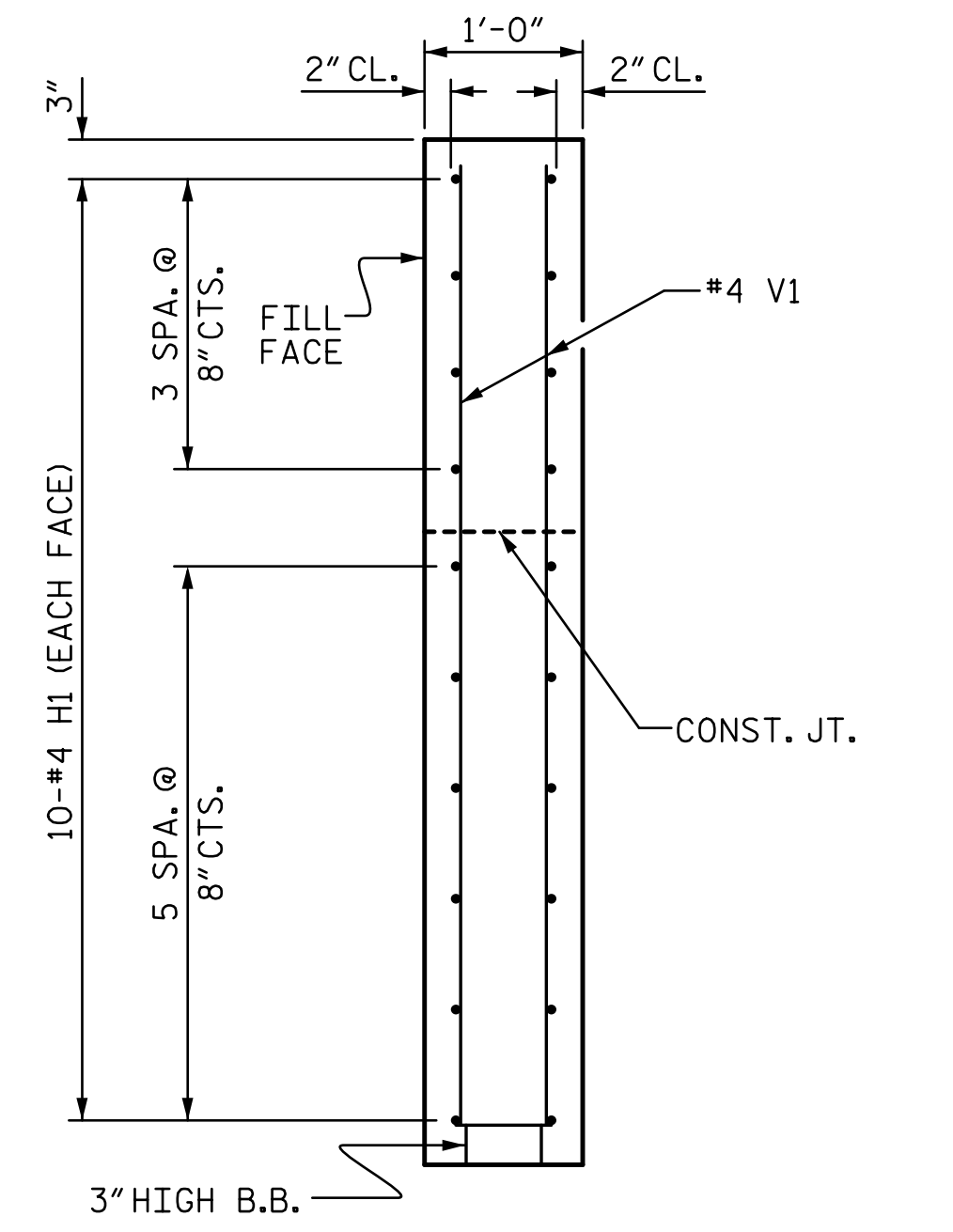


ELEVATION OF WING (W2)

WING DETAILS



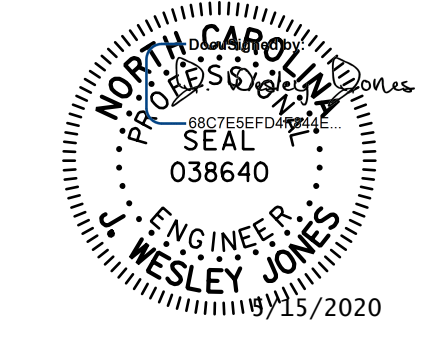
SECTION X-X



SECTION Y-Y

PROJECT NO. BR-0127
YADKIN COUNTY
 STATION: 16+09.00 -L-

SHEET 3 OF 4



STV 100 YEARS STV ENGINEERS, INC.
 900 West Trade St., Suite 715
 Charlotte, NC 28202
 NC License Number F-0991

DOCUMENT NOT CONSIDERED
 FINAL UNLESS ALL
 SIGNATURES COMPLETED

STATE OF NORTH CAROLINA DEPARTMENT OF TRANSPORTATION RALEIGH					
SUBSTRUCTURE END BENT WING DETAILS					
REVISIONS					SHEET NO.
NO.	BY:	DATE:	NO.	BY:	DATE:
1			3		
2			4		
					S-10
					TOTAL SHEETS 13

DRAWN BY : WAW	DATE : 10-19
CHECKED BY : JWJ	DATE : 1-20
DESIGN ENGINEER OF RECORD : JWJ	DATE : 4-20
DRAWN BY : WJH 12/11	REV. 4/15
CHECKED BY : AAC 12/11	MAA/TMG