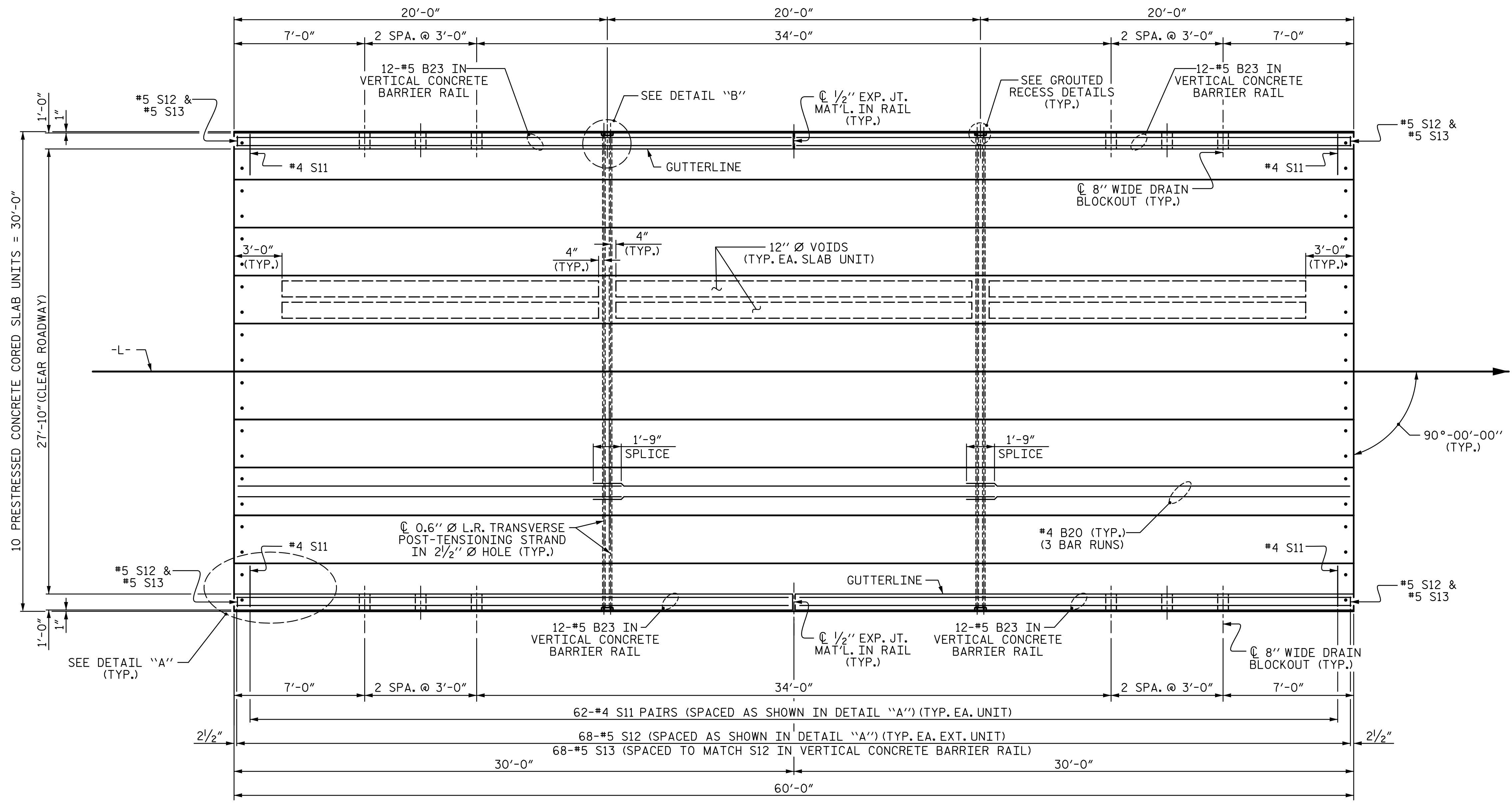
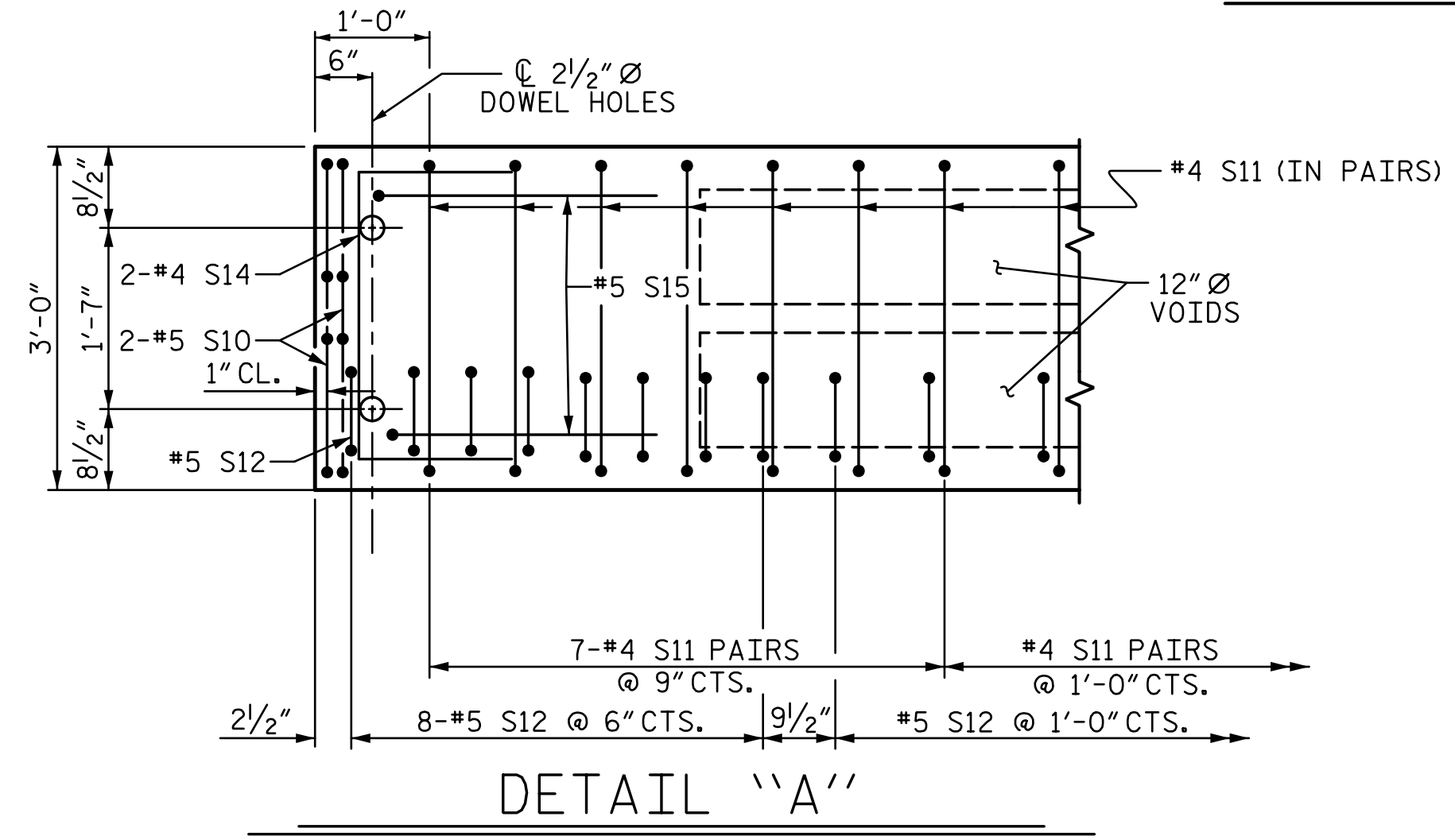


R:\Structures\ustation\Finals\401\_009\_BR-0127\_SML\_CS2\_005\_980189.dgn 4/14/2020 4:00:41 PM Jones

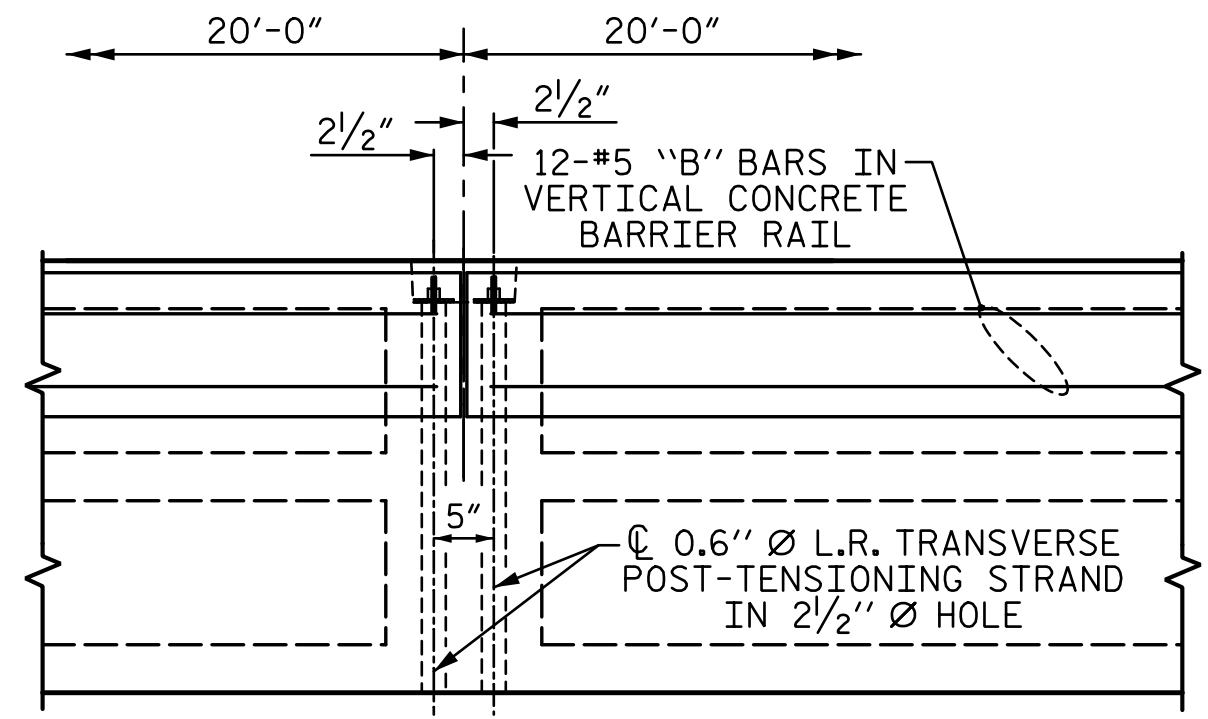


PLAN OF UNIT



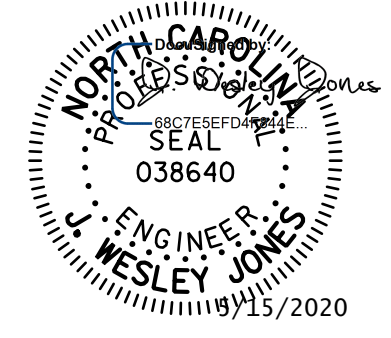
DETAIL "A"

(TYPICAL EACH END OF UNIT)  
NOTE: EXTERIOR UNIT SHOWN - INTERIOR UNIT SIMILAR EXCEPT OMIT #5 S12 BARS.



DETAIL "B"

#4 S11 BARS MAY BE SHIFTED AS NECESSARY TO MAINTAIN 1" CLEAR TO GROUDED RECESS AND 2 1/2" Ø TRANSVERSE POST-TENSIONING STRAND HOLES



**STV** 100 YEARS STV ENGINEERS, INC.  
900 West Trade St., Suite 715  
Charlotte, NC 28202  
NC License Number F-0991

DOCUMENT NOT CONSIDERED FINAL UNLESS ALL SIGNATURES COMPLETED

PROJECT NO. BR-0127  
YADKIN COUNTY  
STATION: 16+09.00 -L-  
SHEET 2 OF 3

STATE OF NORTH CAROLINA  
DEPARTMENT OF TRANSPORTATION  
RALEIGH  
PLAN OF 60' UNIT  
27'-10" CLEAR ROADWAY  
90° SKEW

REVISIONS					SHEET NO.
NO.	BY:	DATE:	NO.	BY:	DATE:
1			3		
2			4		

S-5	TOTAL SHEETS
13	