

TIP PROJECT: BR-0127

CONTRACT: C204541

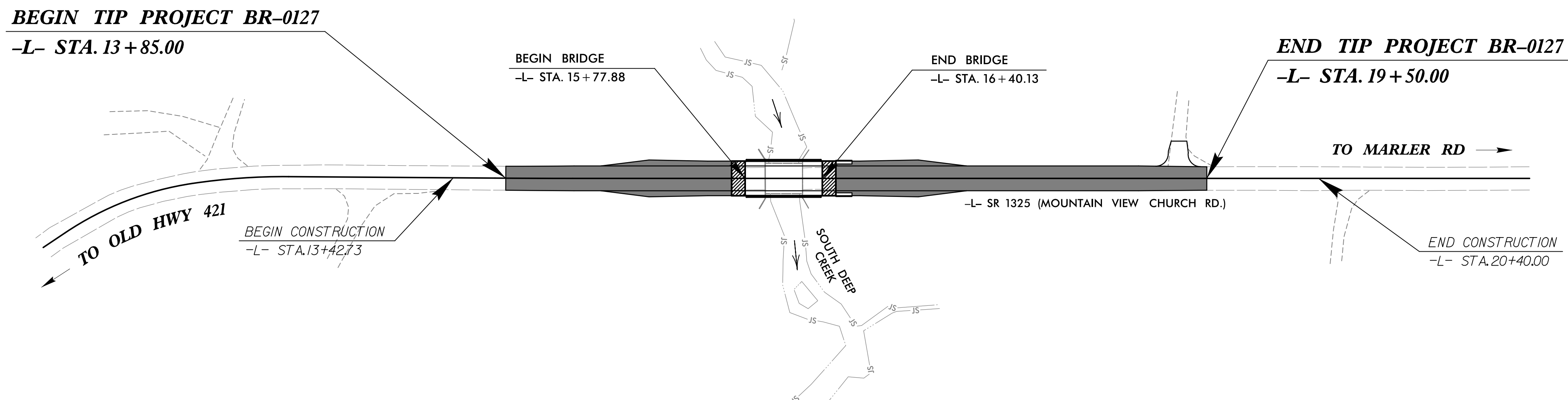
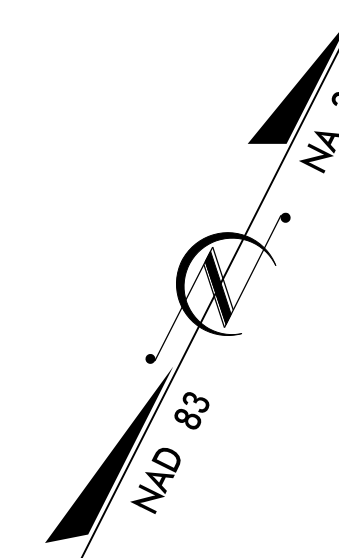
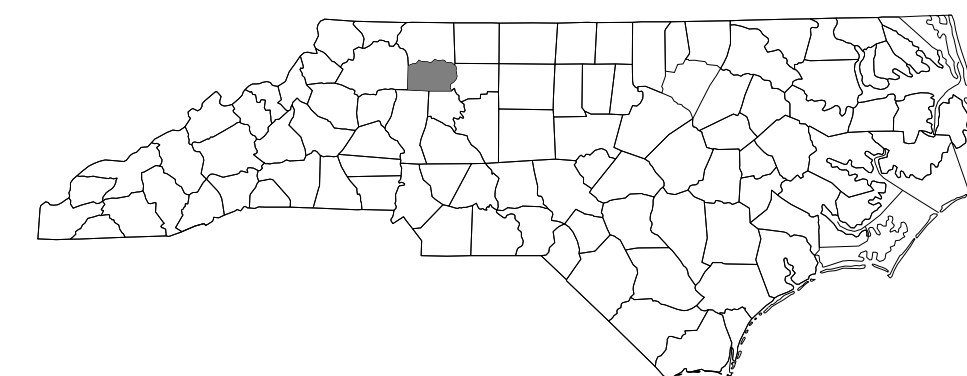
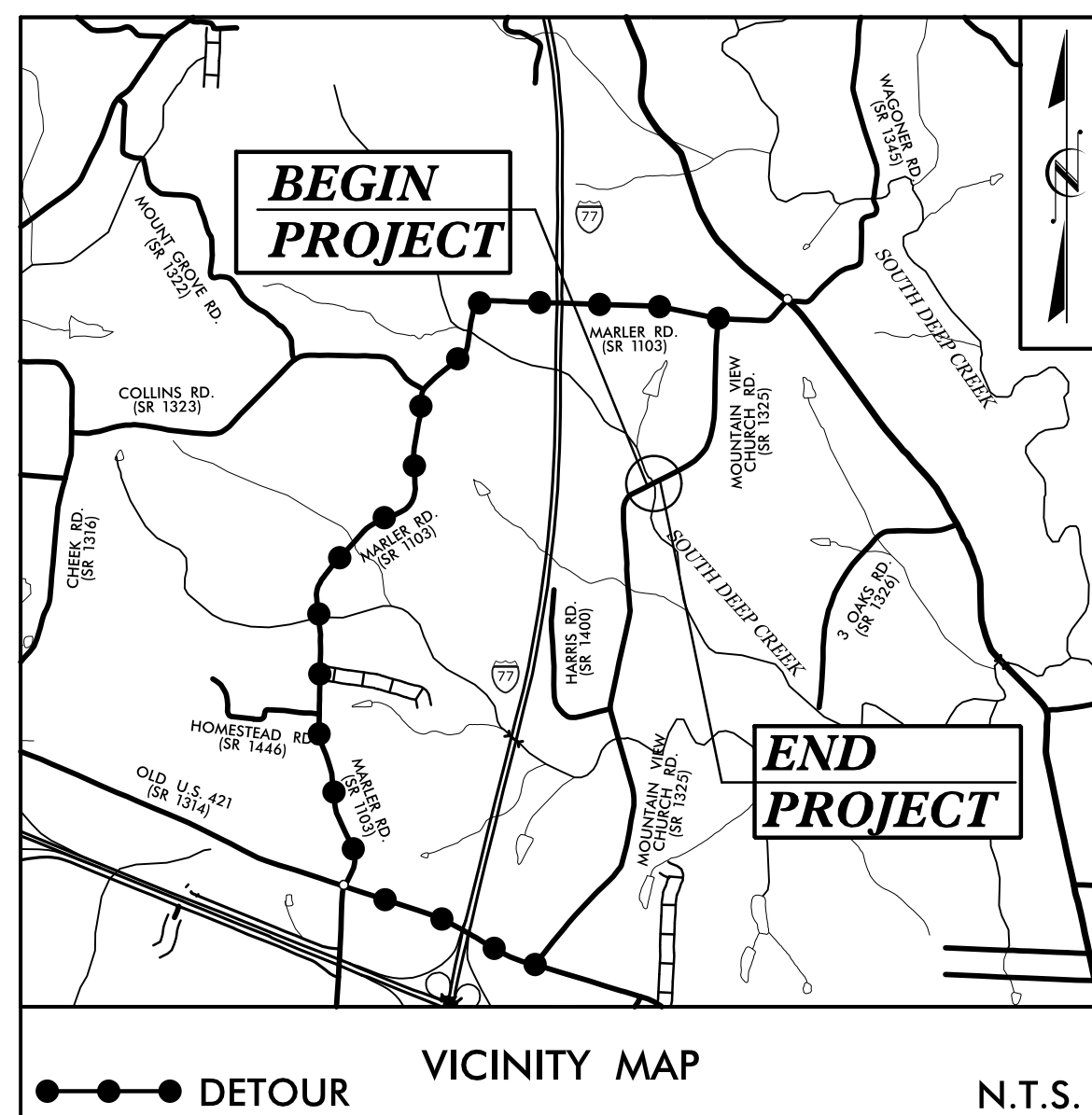
STATE OF NORTH CAROLINA
DIVISION OF HIGHWAYS

YADKIN COUNTY

**LOCATION: BRIDGE NO. 980189 OVER UT OF SOUTH DEEP CREEK
ON SR 1325 (MOUNTAIN VIEW CHURCH ROAD)**

TYPE OF WORK: GRADING, DRAINAGE, PAVING, AND STRUCTURE

STATE	STATE PROJECT REFERENCE NO.	SHEET NO.	TOTAL SHEETS
N.C.	BR-0127		
STATE PROJ. NO.	F.A. PROJ. NO.	DESCRIPTION	
48836.1.1		PE	
48836.2.1		ROW/UTIL	
48836.3.1	2020001	CONST.	



STRUCTURE

DOCUMENT NOT CONSIDERED FINAL
UNLESS ALL SIGNATURES COMPLETED

DESIGN DATA

ADT 2020 = 432
ADT 2040 = 720
DHV = N/A
D = N/A
T = N/A
V = 55 MPH
FUNC. CLASSIFICATION:
LOCAL RURAL
SUB REGIONAL TIER

PROJECT LENGTH

LENGTH OF ROADWAY TIP PROJECT BR-0127 = 0.095 MILES
LENGTH OF STRUCTURE TIP PROJECT BR-0127 = 0.012 MILES
TOTAL LENGTH OF TIP PROJECT BR-0127 = 0.107 MILES

NCDOT CONTACT: DAVID STUTTS, PE
STRUCTURES MANAGEMENT UNIT

PLANS PREPARED FOR THE NCDOT BY:
STV ENGINEERS, INC.
900 West Trade St., Ste. 715, Charlotte NC, 28202
NC License Number F-0991

2018 STANDARD SPECIFICATIONS

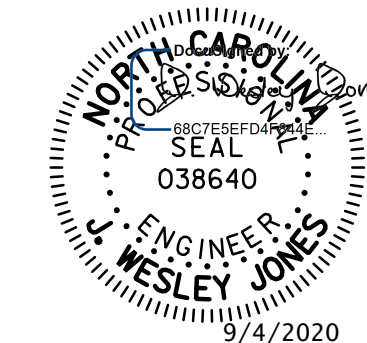
RIGHT OF WAY DATE:
JANUARY 28, 2020

LETTING DATE:
NOVEMBER 17, 2020

J. WESLEY JONES, PE
PROJECT ENGINEER

LOGAN A. HEDRICK, EI
PROJECT DESIGNER

STRUCTURAL ENGINEER



SIGNATURE:

P.E.

