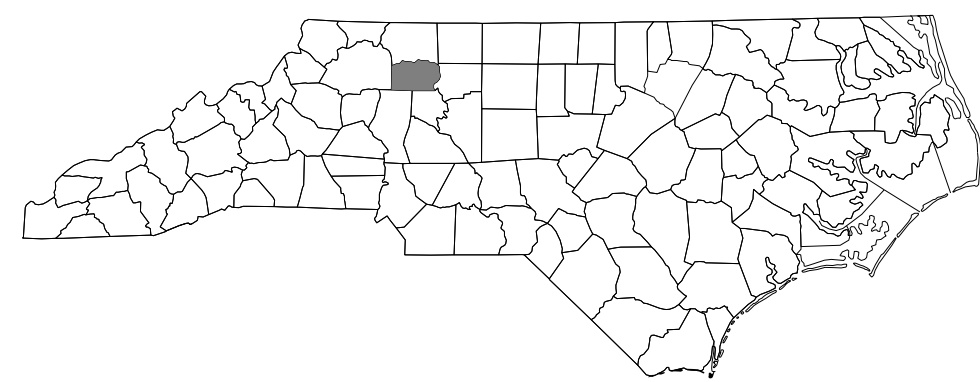
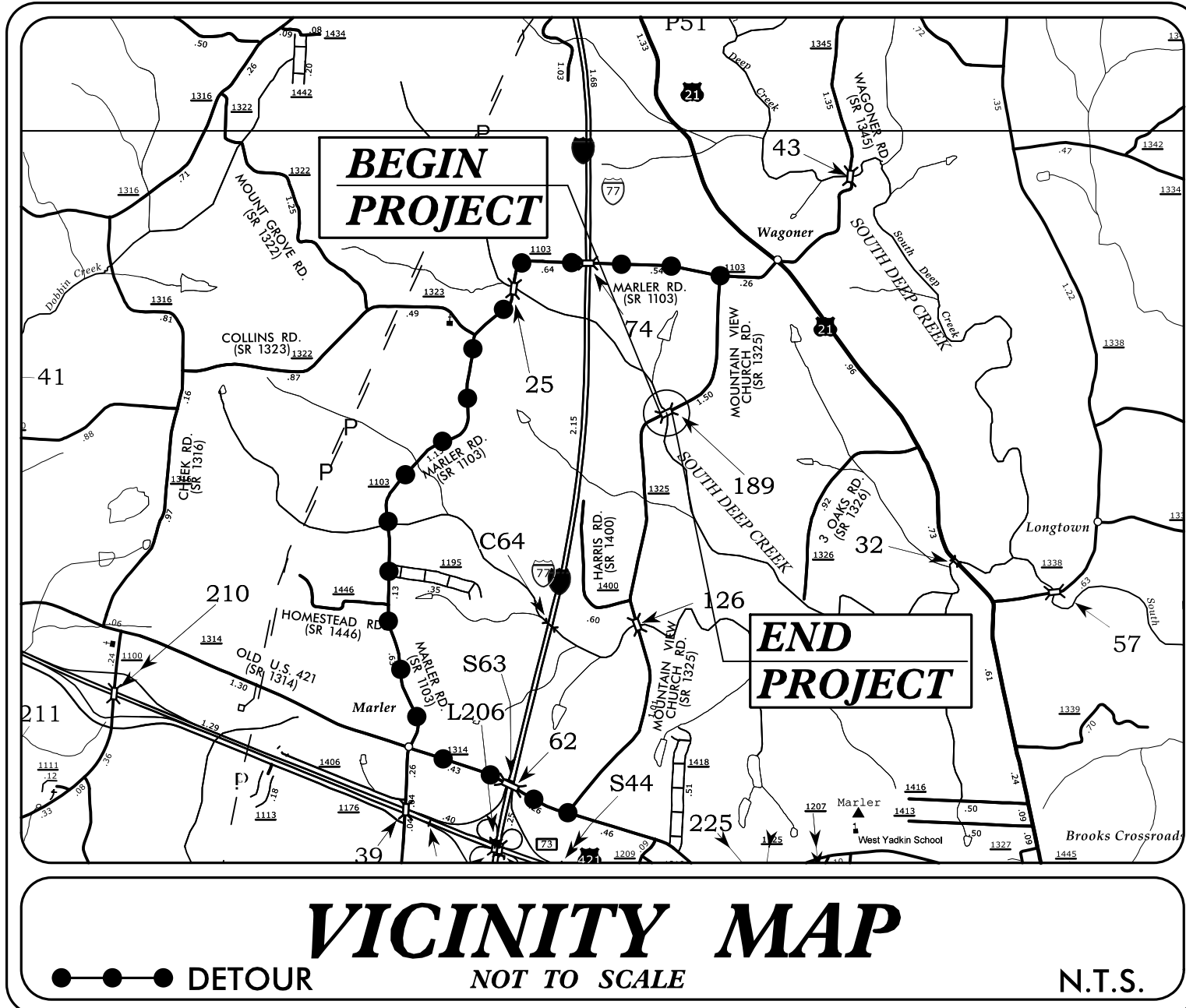


**TIP PROJECT: BR-0127**



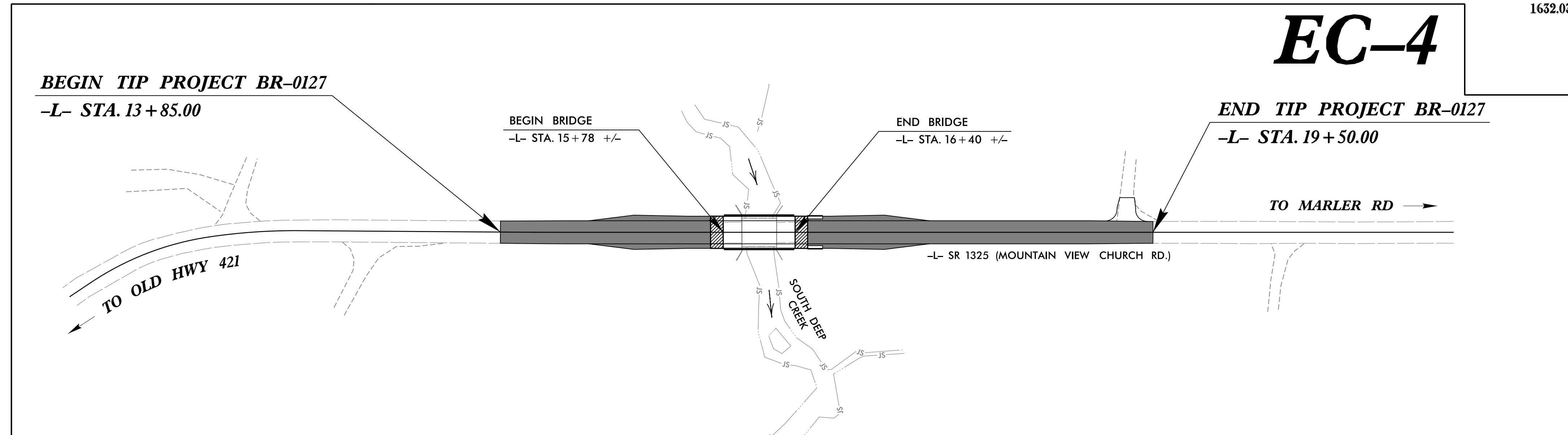
STATE OF NORTH CAROLINA  
DIVISION OF HIGHWAYS  
PLAN FOR PROPOSED  
HIGHWAY EROSION CONTROL  
**YADKIN COUNTY**

**LOCATION: BRIDGE NO. 980189 OVER UT OF SOUTH DEEP CREEK  
ON SR 1325 (MOUNTAIN VIEW CHURCH ROAD)**  
**TYPE OF WORK: GRADING, DRAINAGE, PAVING, AND STRUCTURE**

STATE	STATE PROJECT REFERENCE NO.	SHEET NO.	TOTAL SHEETS
N.C.	BR-0127	EC-1	6
STATE PROJ. NO.	F.A. PROJ. NO.	DESCRIPTION	
48836.1.1		PE	
48836.2.1		R.O. UTILITIES	

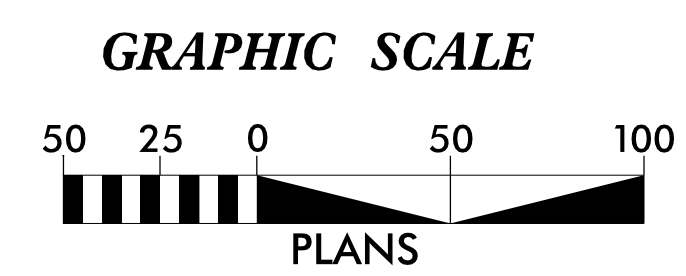
**EROSION AND SEDIMENT CONTROL MEASURES**

Std. #	Description	Symbol
1630.03	Temporary Silt Ditch	TD
1630.05	Temporary Diversion	TD
1605.01	Temporary Silt Fence	TSF
1606.01	Special Sediment Control Fence	SSCF
1622.01	Temporary Berms and Slope Drains	TBSD
1630.02	Silt Basin Type B	SB
1633.01	Temporary Rock Silt Check Type-A	TRSCA
	Temporary Rock Silt Check Type-A with Matting and Polyacrylamide (PAM)	TRSCA-PAM
1633.02	Temporary Rock Silt Check Type-B	TRSCB
	Wattle / Coir Fiber Wattle	WCFW
	Wattle / Coir Fiber Wattle with Polyacrylamide (PAM)	WCFW-PAM
1634.01	Temporary Rock Sediment Dam Type-A	TRSDA
1634.02	Temporary Rock Sediment Dam Type-B	TRSDB
1635.01	Rock Pipe Inlet Sediment Trap Type-A	RPISTRA
1635.02	Rock Pipe Inlet Sediment Trap Type-B	RPISTRB
1630.04	Stilling Basin	SB
1630.06	Special Stilling Basin	SSB
	Rock Inlet Sediment Trap:	
1632.01	Type A	A
1632.02	Type B	B
1632.03	Type C	C
	Skimmer Basin	SKB
	Tiered Skimmer Basin	TSKB
	Infiltration Basin	IB



**EC-4**

THIS PROJECT CONTAINS EROSION CONTROL PLANS FOR CLEARING AND GRUBBING PHASE OF CONSTRUCTION.



THESE EROSION AND SEDIMENT CONTROL PLANS COMPLY WITH THE APPLICABLE REGULATIONS SET FORTH BY THE NCG-010000 GENERAL CONSTRUCTION PERMIT EFFECTIVE APRIL 1, 2019 AND ISSUED BY THE NORTH CAROLINA DEPARTMENT OF ENVIRONMENTAL QUALITY DIVISION OF WATER RESOURCES.



Prepared in the Office of:  
**STV Engineers, Inc.**  
900 West Trade St., Suite 715  
Charlotte, NC 28202  
NC License Number F-0991

Designed by:  
**SHIRSHANT SHARMA, PE** 4208  
NAME LEVEL III CERTIFICATION NO.

Roadway Standard Drawings

The following roadway english standards as appear in "Roadway Standard Drawings"- Roadway Design Unit - N. C. Department of Transportation - Raleigh, N. C., dated January 2018 and the latest revision thereto are applicable to this project and by reference hereby are considered a part of these plans.

1604.01 Railroad Erosion Control Detail	1632.01 Rock Inlet Sediment Trap Type A
1605.01 Temporary Silt Fence	1632.02 Rock Inlet Sediment Trap Type B
1606.01 Special Sediment Control Fence	1632.03 Rock Inlet Sediment Trap Type C
1607.01 Gravel Construction Entrance	1633.01 Temporary Rock Silt Check Type A
1622.01 Temporary Berms and Slope Drains	1633.02 Temporary Rock Silt Check Type B
1630.01 Riser Basin	1634.01 Temporary Rock Sediment Dam Type A
1630.02 Silt Basin Type B	1634.02 Temporary Rock Sediment Dam Type B
1630.03 Temporary Silt Ditch	1635.01 Rock Pipe Inlet Sediment Trap Type A
1630.04 Stilling Basin	1635.02 Rock Pipe Inlet Sediment Trap Type B
1630.05 Temporary Diversion	1640.01 Coir Fiber Baffle
1630.06 Special Stilling Basin	1645.01 Temporary Stream Crossing
1631.01 Matting Installation	

I:\Environment\12\13\2019\Sheet\BR-0127-EC-ps&tbl.ctb.dgn