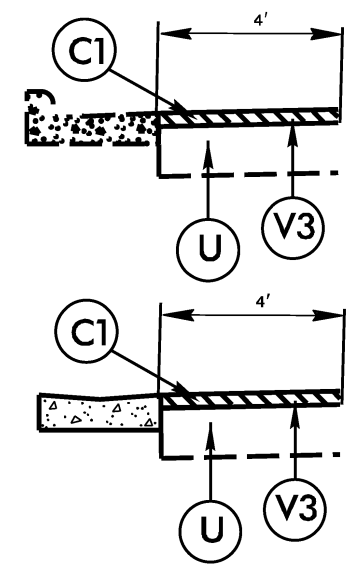
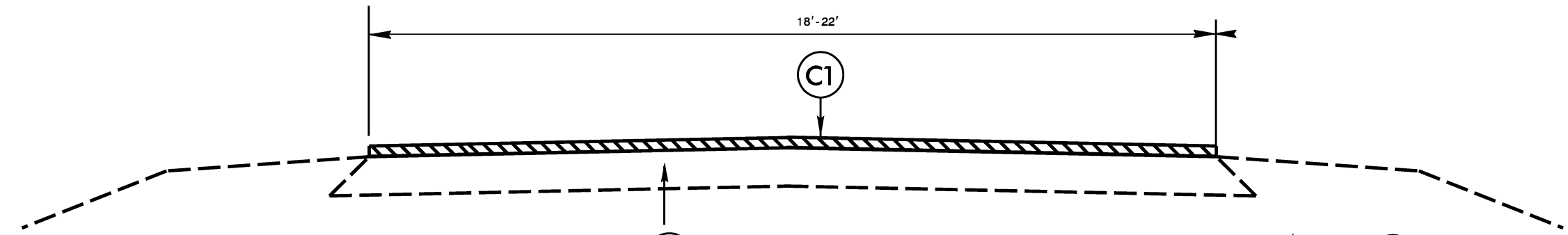


PAVEMENT SCHEDULE

S	SHOULDER GRADING ASB REQUIRED (EXCEPT AT RESIDENTIAL AREAS)
U	EXISTING PAVEMENT
V1	1½" MILLING
V2	0"-1½" MILLING
V3	0 - 1¼" Milling
V4	3" MILLING

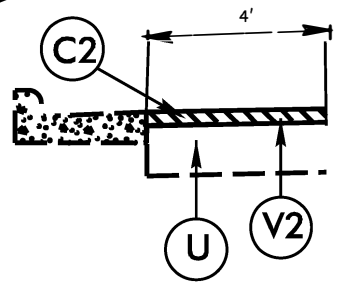
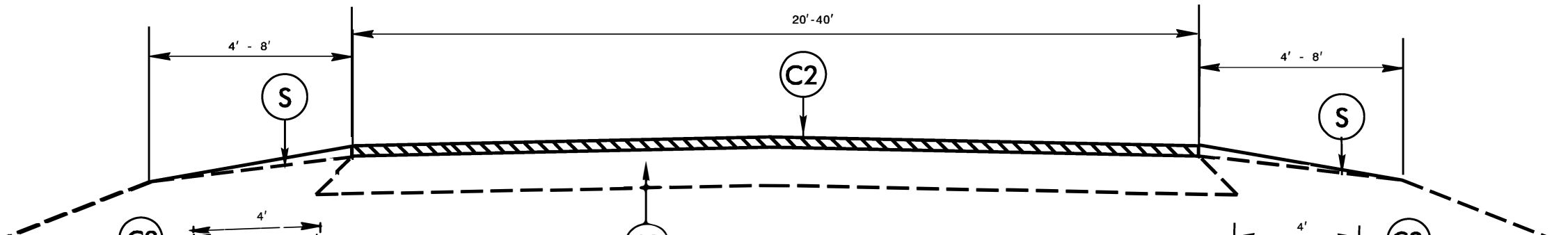
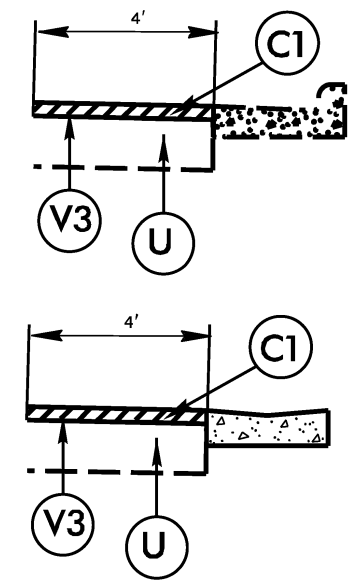
PROJECT REFERENCE NO. 2021CPT.05.09.20921.1, etc.	SHEET NO. 13
--	-----------------

C1	1¼" ASPHALT CONCRETE SURFACE COURSE, TYPE S9.5B, AT AN AVERAGE RATE OF 137.5 LBS. PER SQ. YD.
C2	1½" ASPHALT CONCRETE SURFACE COURSE, TYPE S9.5B, AT AN AVERAGE RATE OF 165 LBS. PER SQ. YD.
C3	1½" ASPHALT CONCRETE SURFACE COURSE, TYPE S9.5C, AT AN AVERAGE RATE OF 168 LBS. PER SQ. YD.
C4	3" ASPHALT CONCRETE SURFACE COURSE, TYPE S9.5C, AT AN AVERAGE RATE OF 168 LBS. PER SQ. YD. IN EACH OF 2 LAYERS



* Remove and replace 150' of Valley gutter on map #2

TYPICAL SECTION NO. 1



TYPICAL SECTION NO. 2

