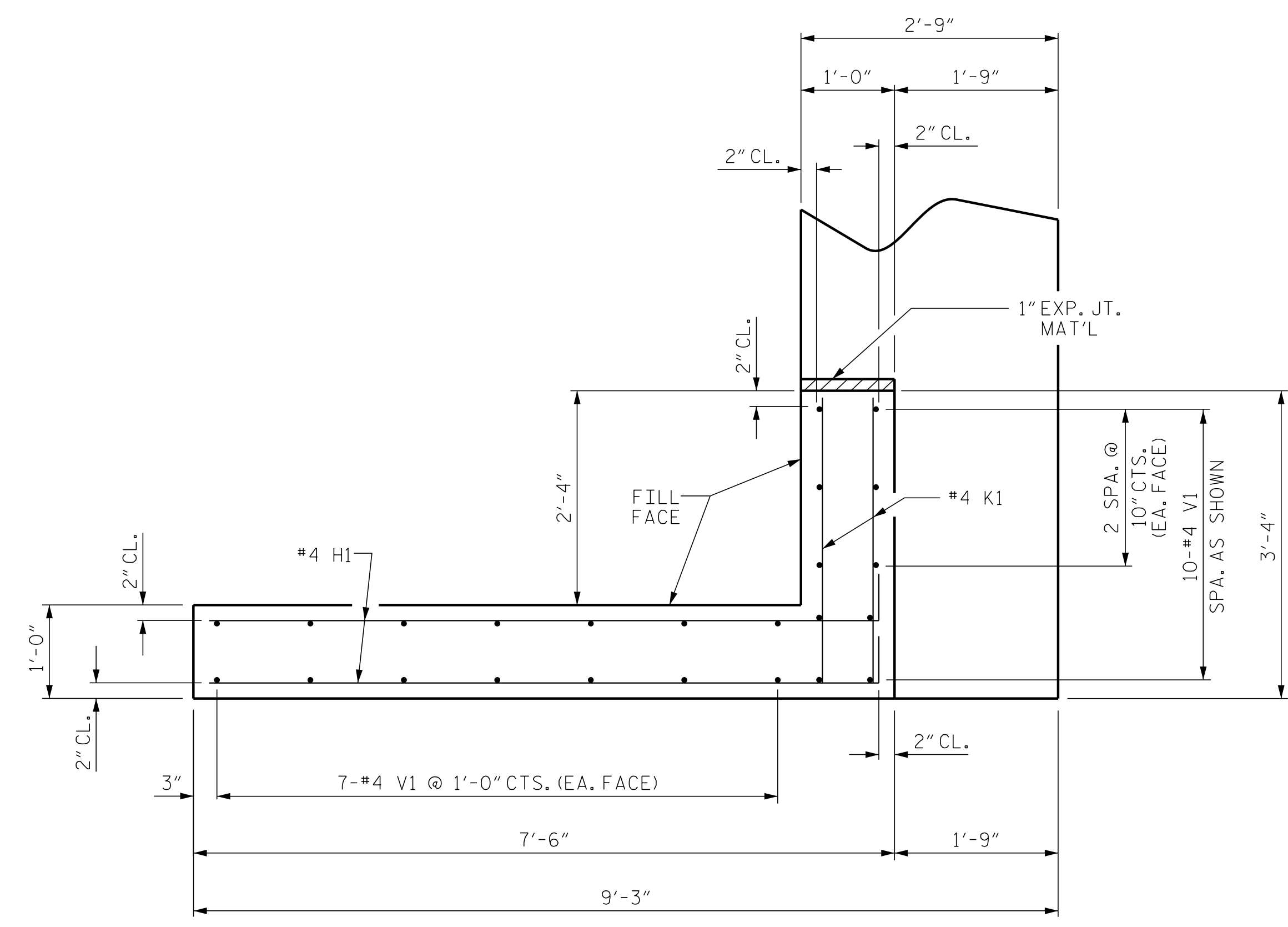
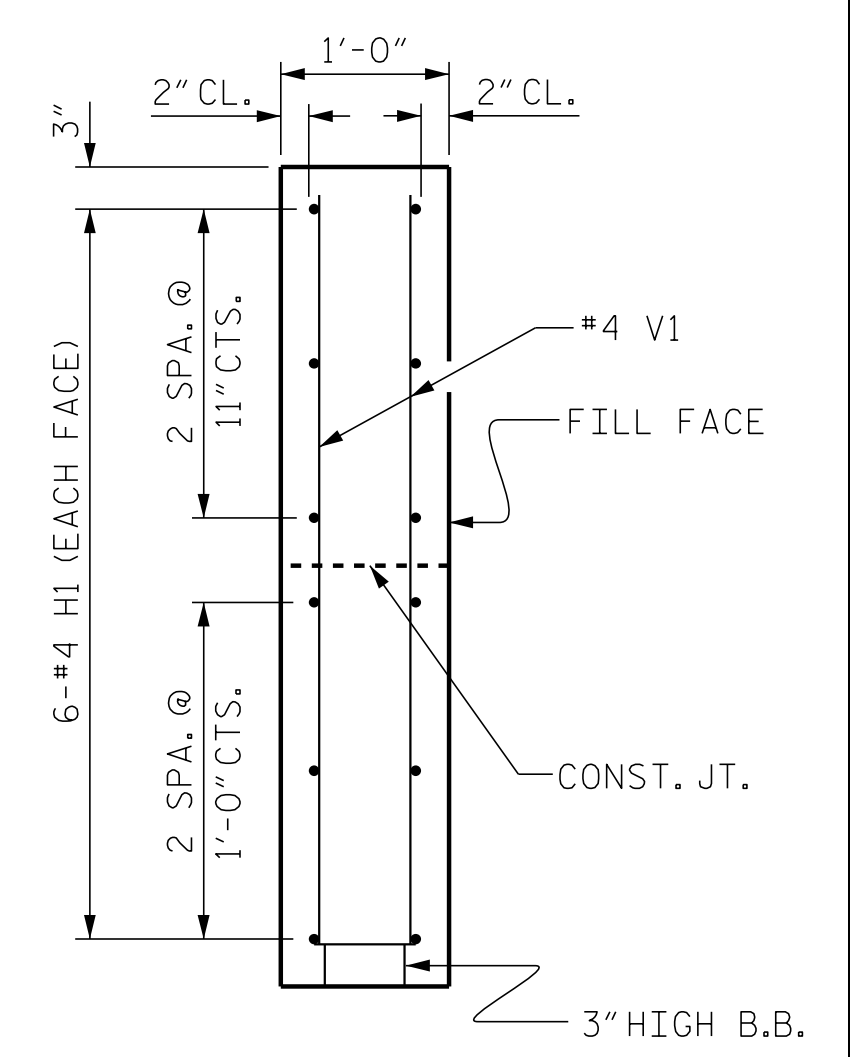


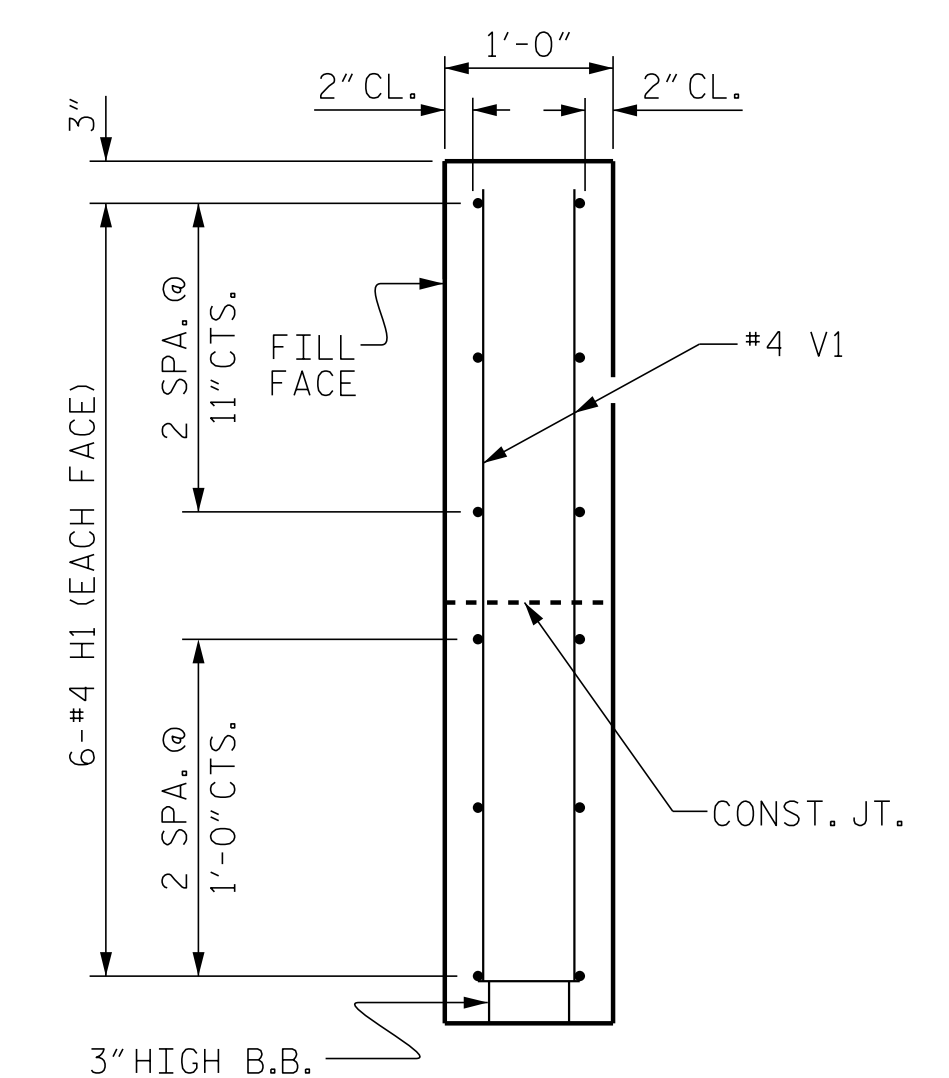
PLAN OF WING (W1)



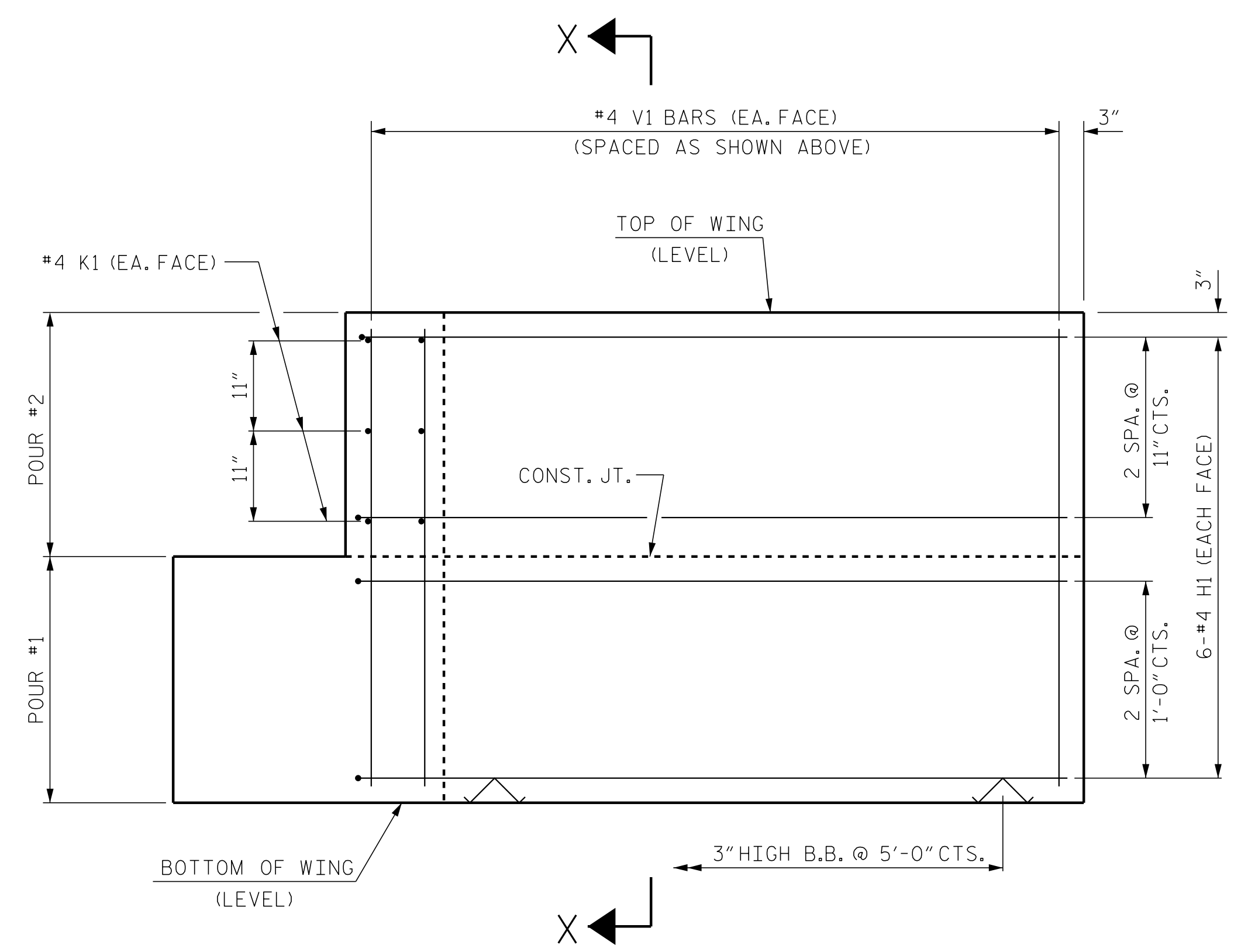
PLAN OF WING (W2)



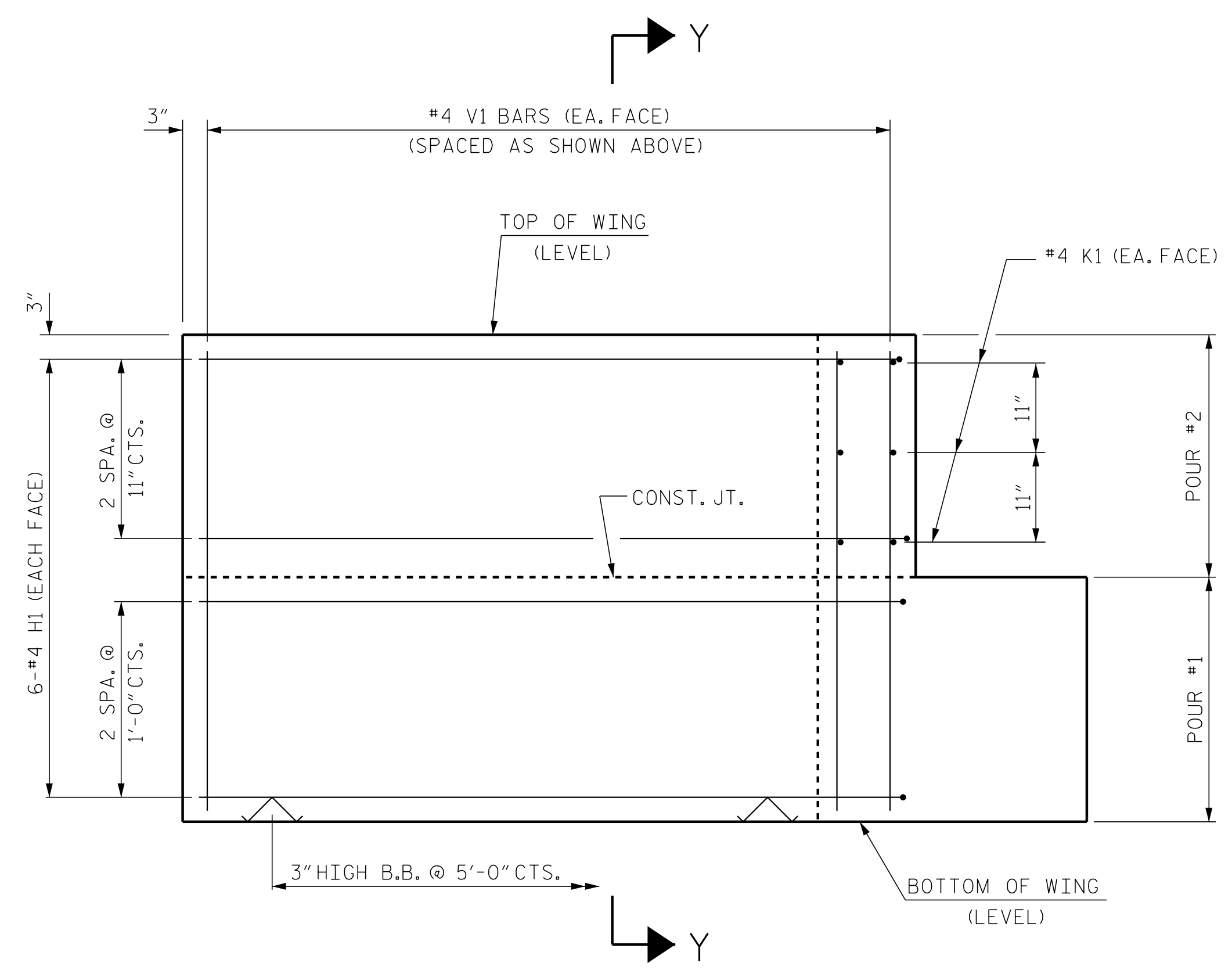
SECTION X-X



SECTION Y-Y



ELEVATION OF WING (W1)



ELEVATION OF WING (W2)

WING DETAILS

PROJECT NO. BR-0121
 SAMPSON COUNTY
 STATION: 15+46.50 -L-
 SHEET 3 OF 4

ENGINEER OF RECORD
 1/15/2020
 NORTH CAROLINA PROFESSIONAL SEAL
 22072
 JOHN ARTHUR DILWORTH
 ENGINEER
 WETHERILL ENGINEERING
 1223 Jones Franklin Rd.
 Raleigh, N.C. 27606
 Bus: 919 851 8077
 Fax: 919 851 8107
 LICENSE NO. F-0377

STATE OF NORTH CAROLINA DEPARTMENT OF TRANSPORTATION RALEIGH					
SUBSTRUCTURE END BENT WING DETAILS					
REVISIONS					
NO.	BY:	DATE:	NO.	BY:	DATE:
1			3		
2			4		
SHEET NO. S-13					TOTAL SHEETS 18

ASSEMBLED BY : J. PENDERGRAFT	DATE : 2-19
CHECKED BY : J. DILWORTH	DATE : 4-19
DRAWN BY : DGE 02/10	REV. 4/15
CHECKED BY : MKT 02/10	MAA/TMG

DOCUMENT NOT CONSIDERED FINAL
 UNLESS ALL SIGNATURES COMPLETED

P:\2019\19108\01_BR-0121\Structures\DNBRO12_LSMU_EB.dgn
 8/28/2019 8:21:00 AM