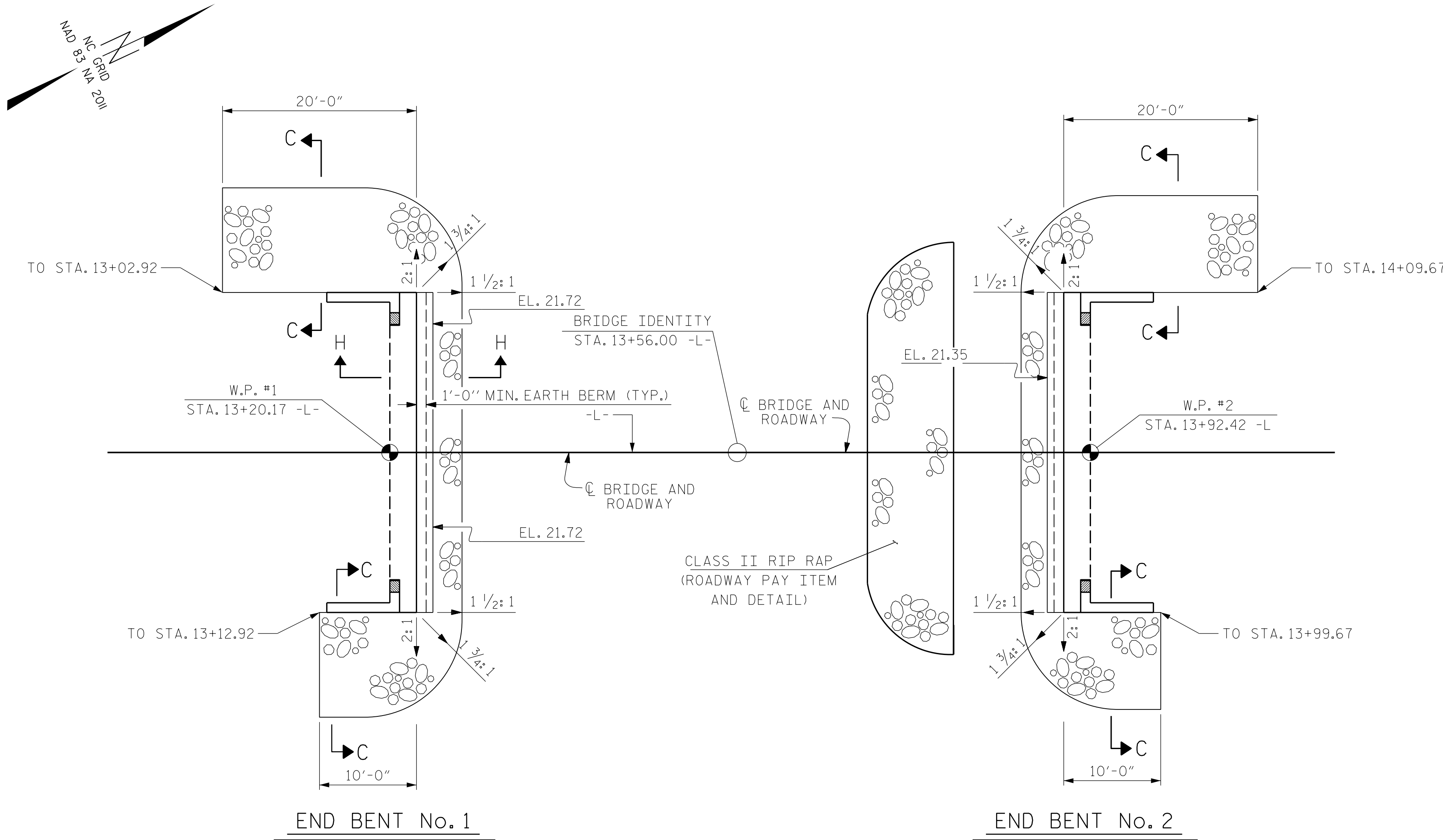
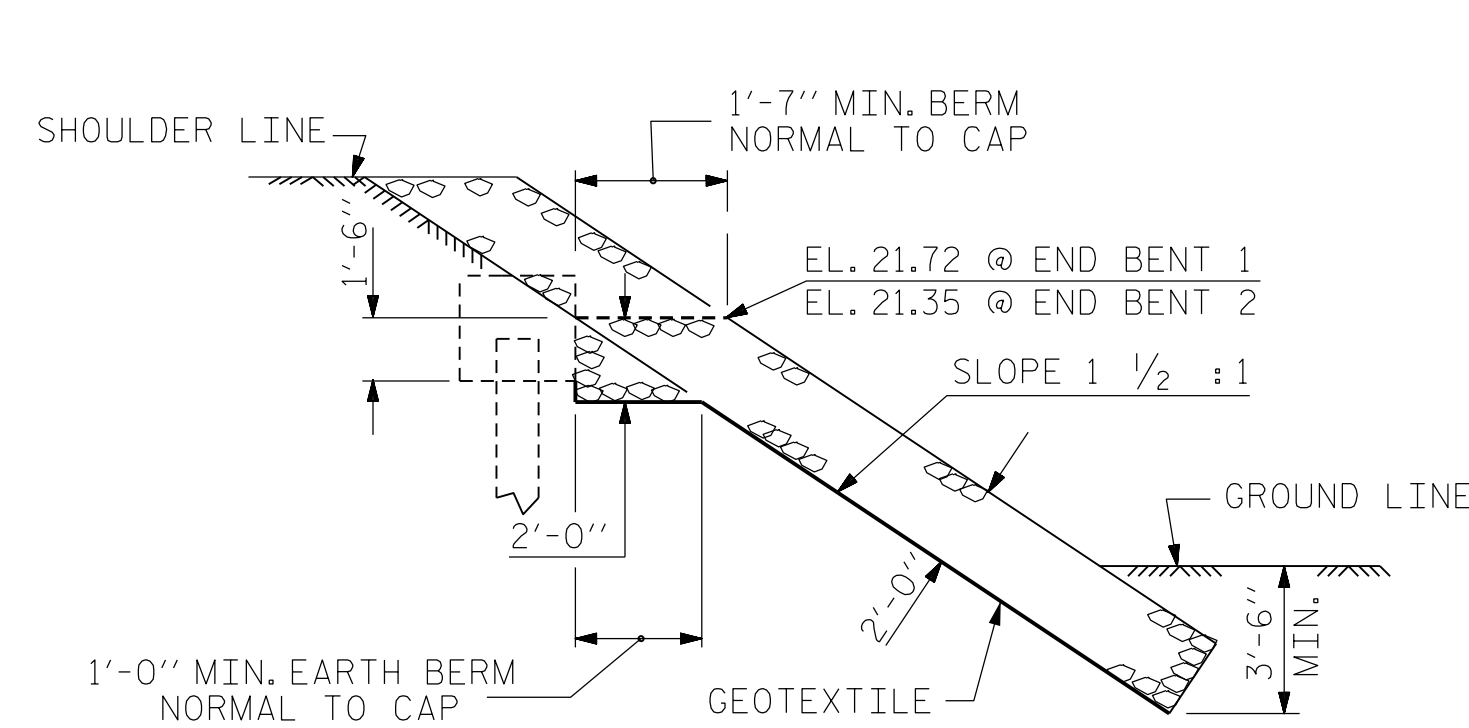


NOTES :
FOR BERM WIDTH DIMENSIONS, SEE GENERAL DRAWING.

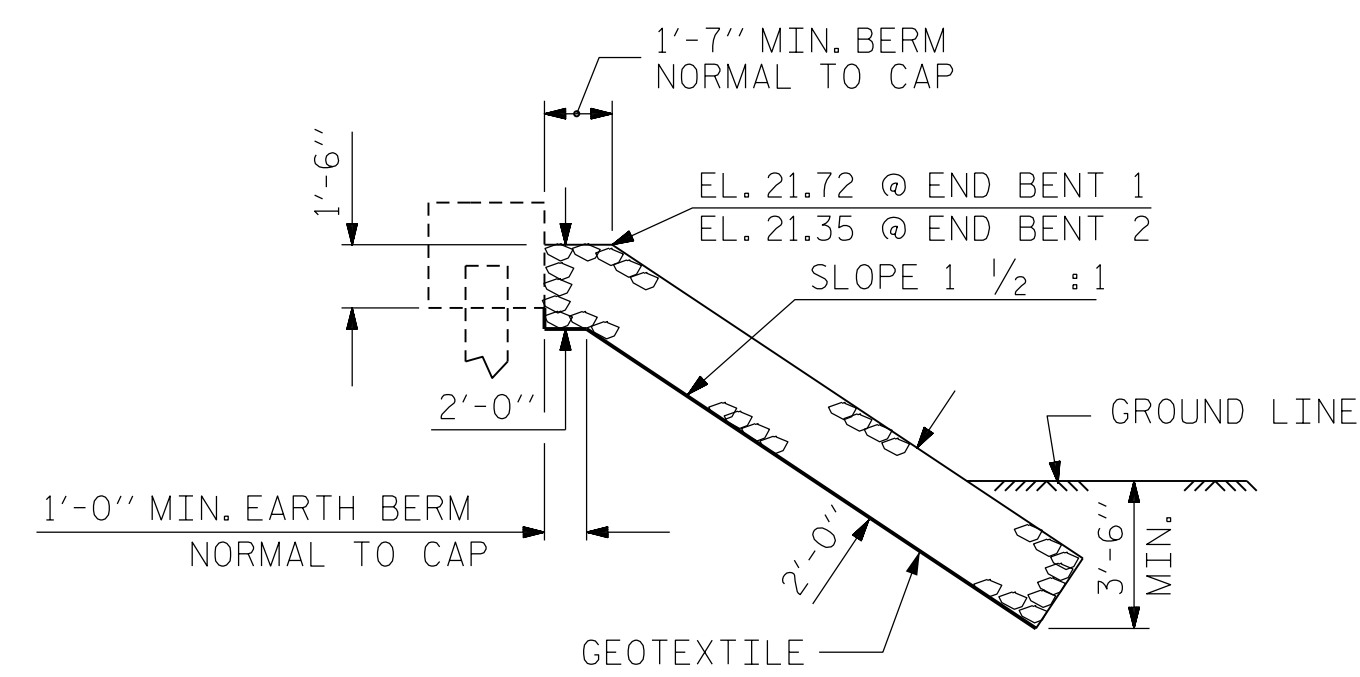


PLAN

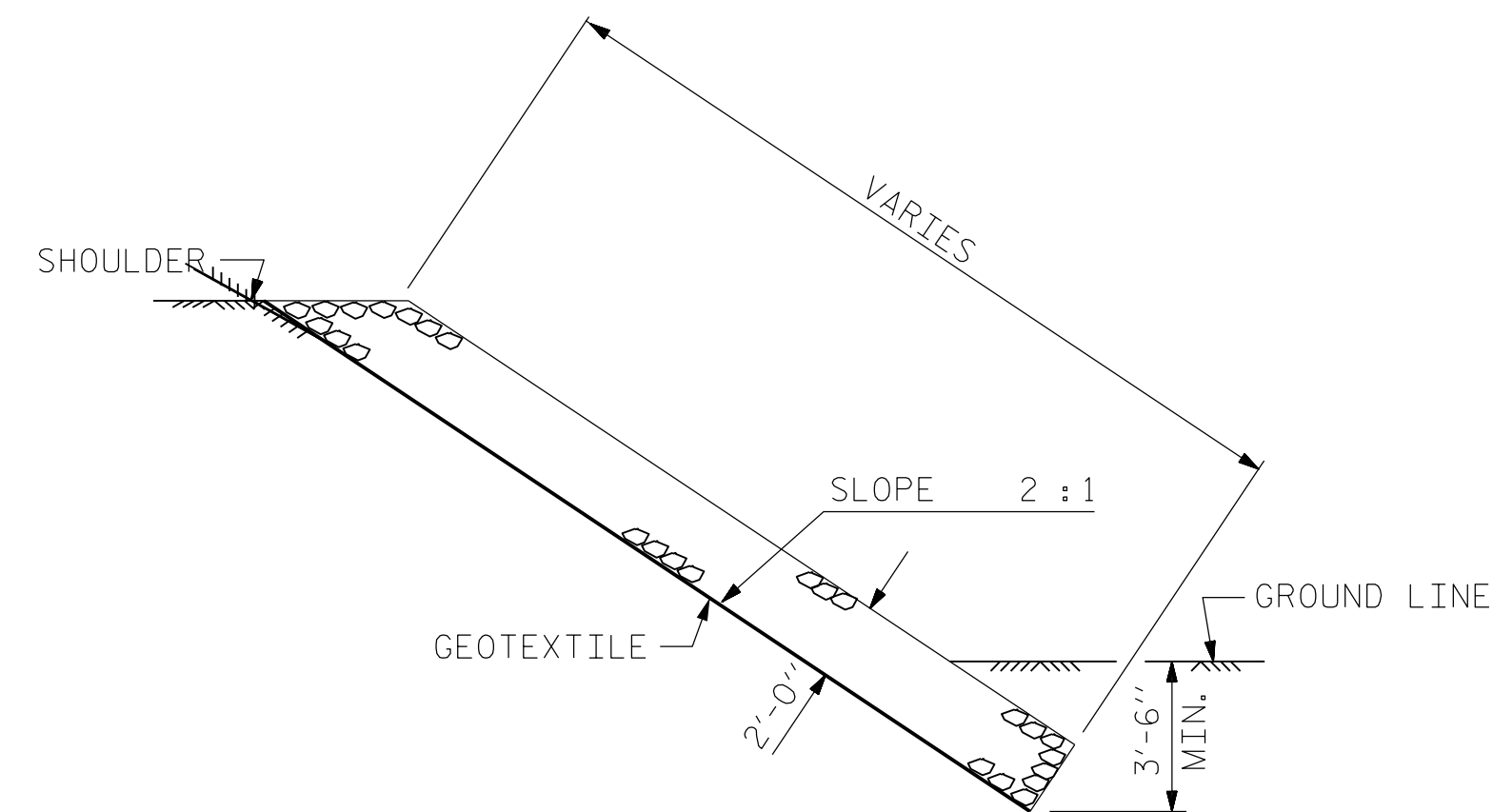
ESTIMATED QUANTITIES		
BRIDGE @ STA. 13+56.00	RIp RAP CLASS II (2'-0" THICK)	GEOTEXTILE FOR DRAINAGE
	TONS	SQUARE YARDS
END BENT 1	125	139
END BENT 2	119	132



SECTION H-H



SECTION
BERM RIP RAPPED



SECTION C-C

PROJECT NO. BR-0120
PITT COUNTY
STATION: 13+56.30 -L-

DocuSigned by:
Jacob H. Duke
1/8/2020



KCA
KISINGER CAMPO
& ASSOCIATES

STATE OF NORTH CAROLINA DEPARTMENT OF TRANSPORTATION RALEIGH					
STANDARD RIP RAP DETAILS					
REVISIONS					
NO.	BY:	DATE:	NO.	BY:	DATE:
1			3		
2			4		
SHEET NO. S-12					TOTAL SHEETS 13

DESIGN ENGINEER OF RECORD:
JACOB H. DUKE DATE: 12/2019
ASSEMBLED BY: FIDEL L FLORES DATE: 12/2019
CHECKED BY: DIEGO A AGUIRRE DATE: 12/2019
DRAWN BY: REK 1/84 MAA/GM
CHECKED BY: RDU 1/84 MAA/GM
REV. 10/1/11 MAA/THC
REV. 12/21/11 MAA/GM
REV. 12/17 MAA/THC

DOCUMENT NOT CONSIDERED
FINAL UNLESS ALL
SIGNATURES COMPLETED

301 FAYETTEVILLE ST., SUITE 1500
RALEIGH, NC 27601 (919) 882-7839
NC FIRM LICENSE: C-1506