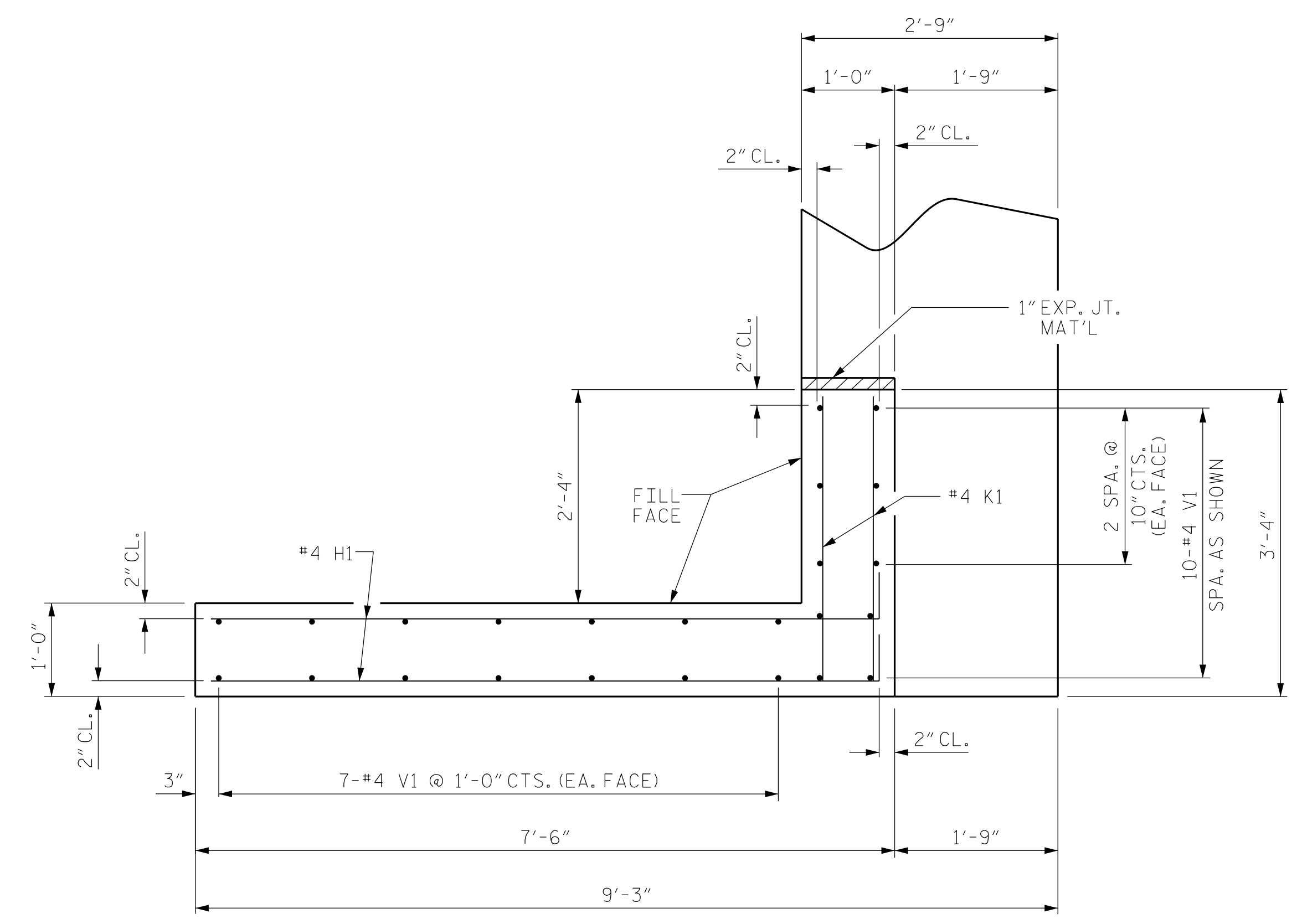
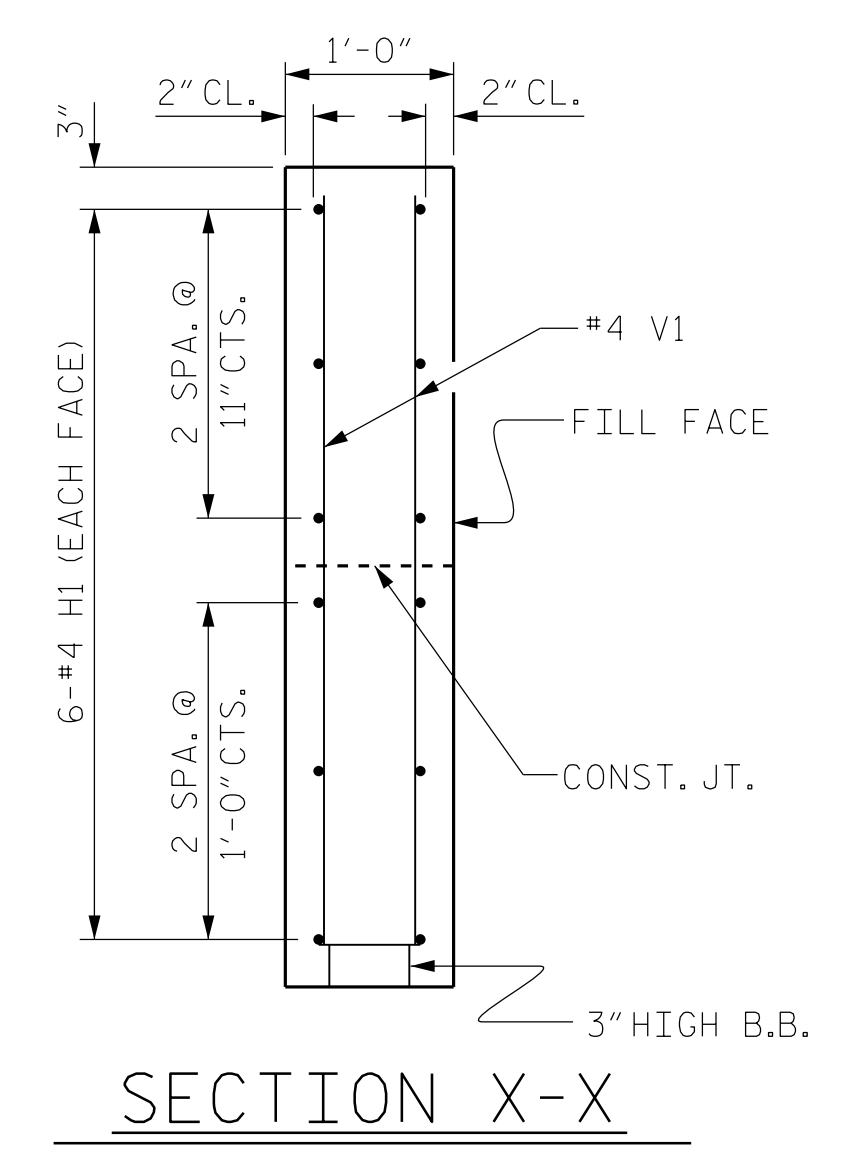


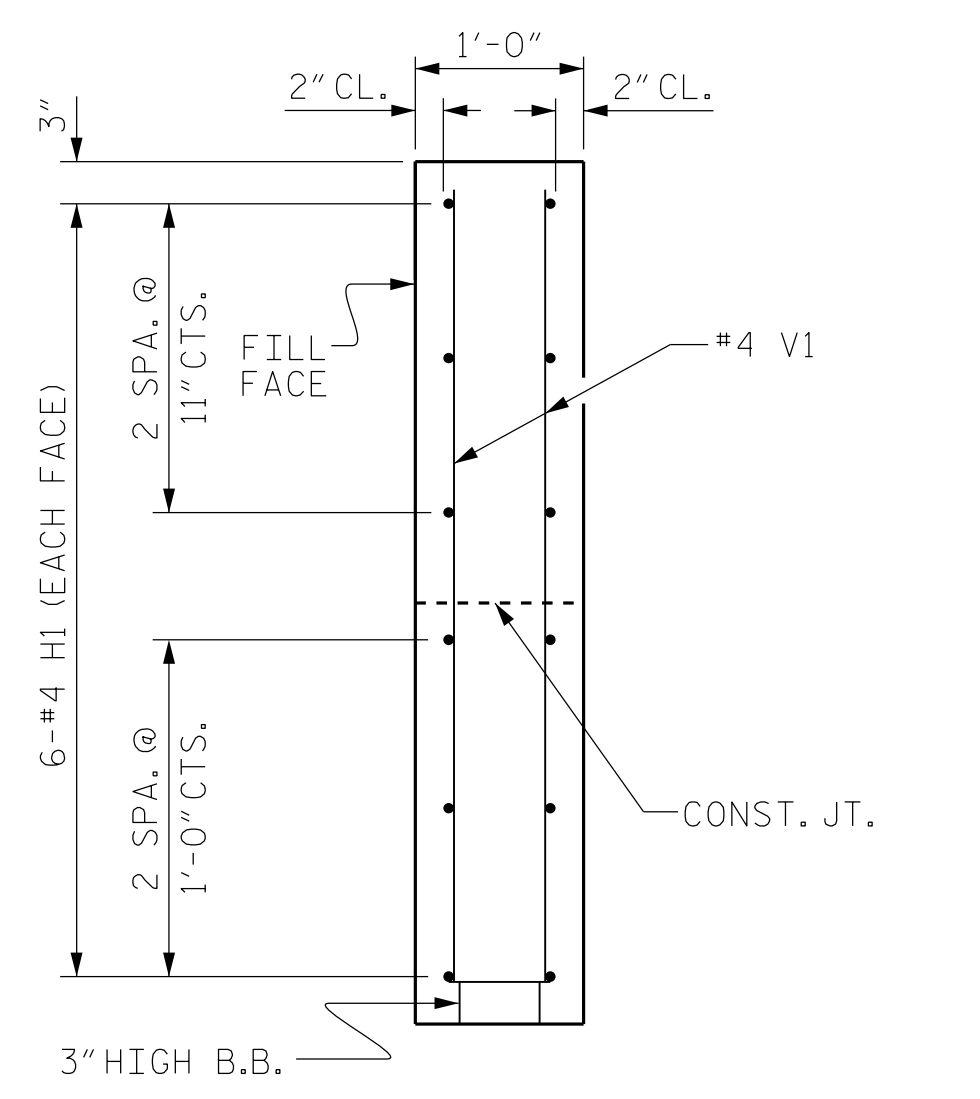
PLAN OF WING (W1)



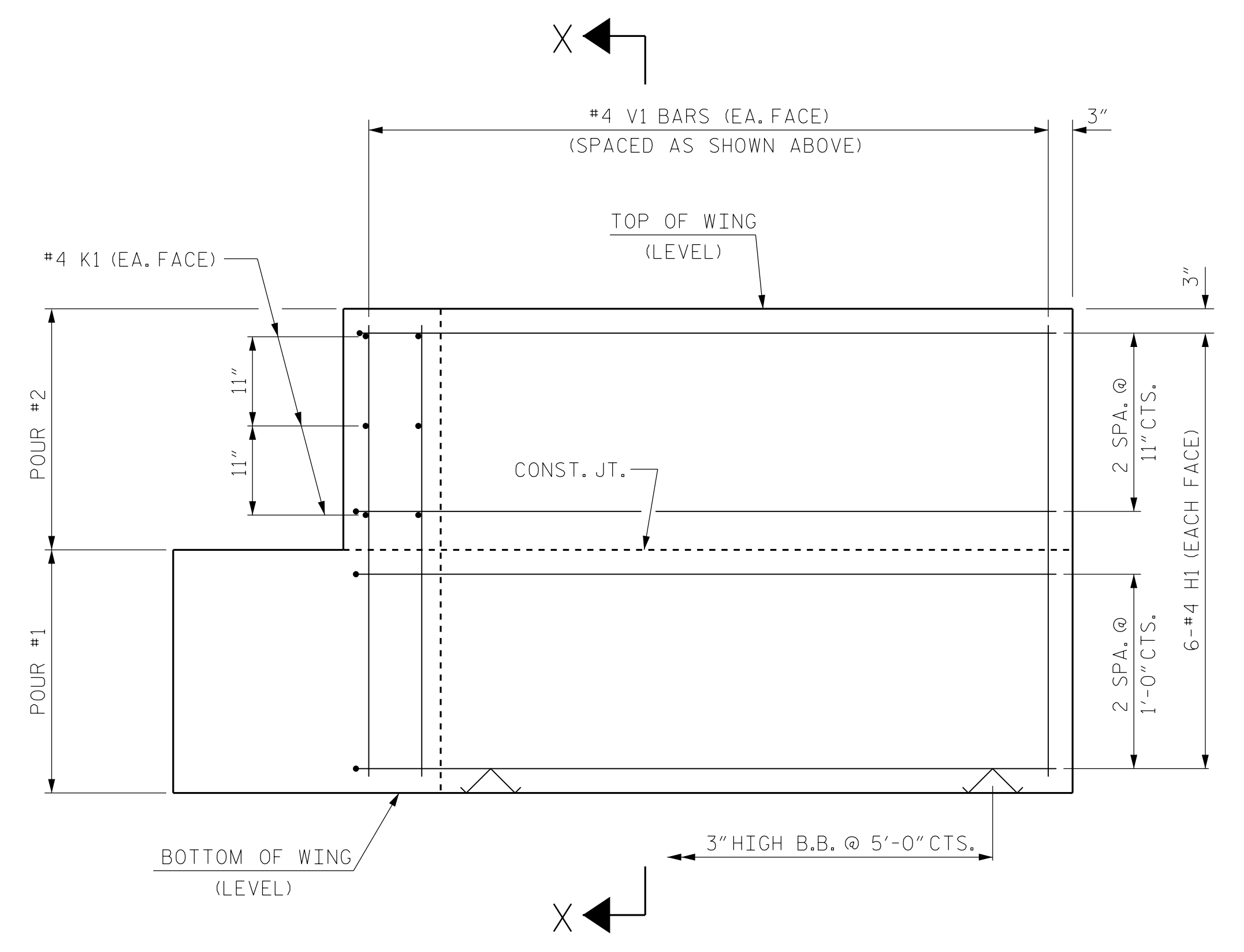
PLAN OF WING (W2)



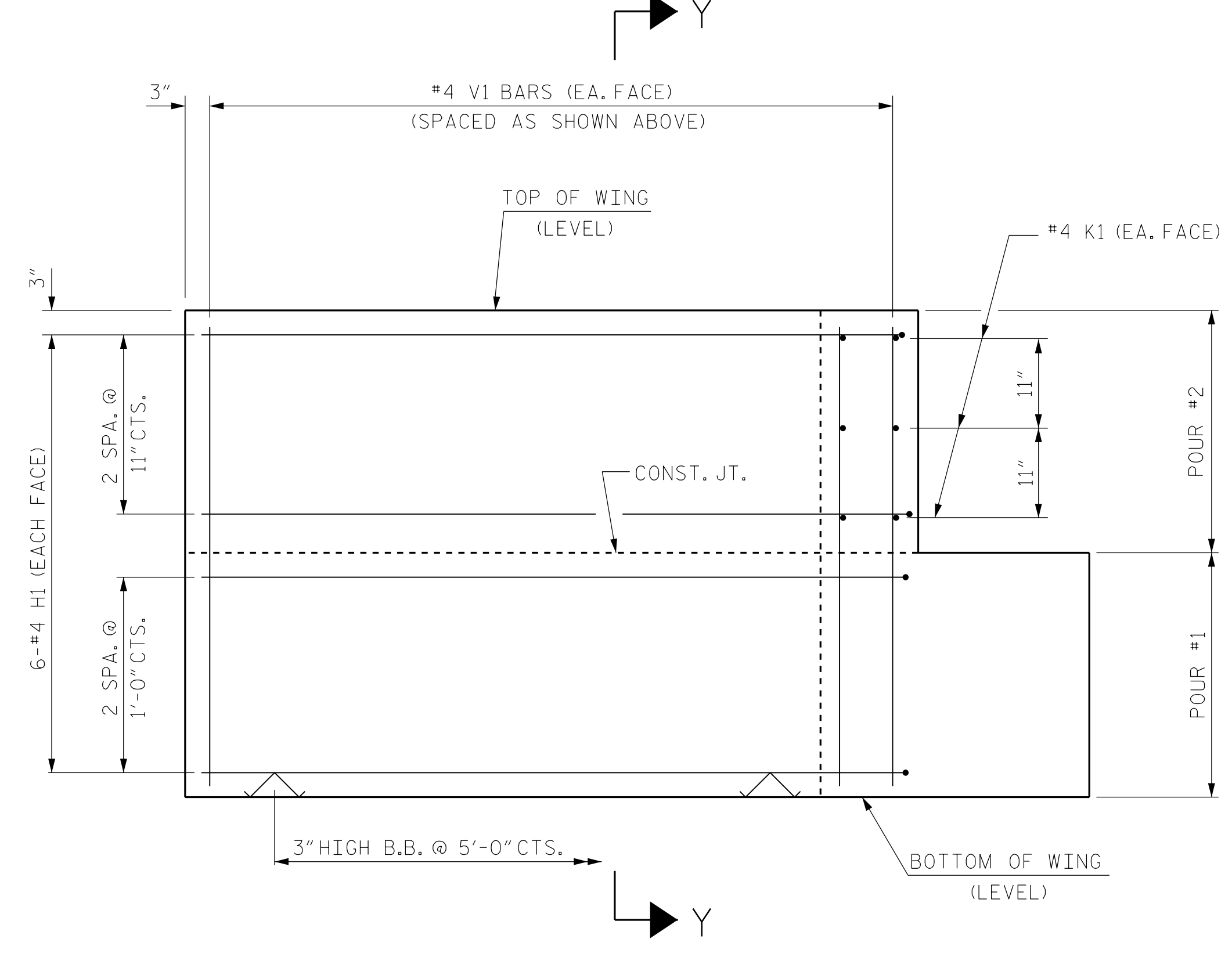
SECTION X-X



SECTION Y-Y



ELEVATION OF WING (W1)



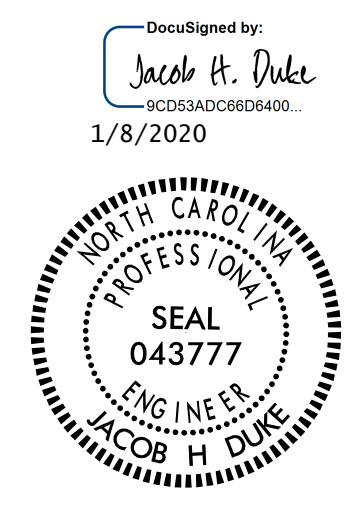
ELEVATION OF WING (W2)

WING DETAILS

DESIGN ENGINEER OF RECORD:		JACOB H. DUKE		DATE: 12/2019	
ASSEMBLED BY:		FIDEL L FLORES		DATE: 12/2019	
CHECKED BY:		DIEGO A AGUIRRE		DATE: 12/2019	
DRAWN BY:		DGE		02/10	
CHECKED BY:		MKT		02/10	
REV. 4/15		MAA/TMG			

1/8/2020  
BR-0120.SMU.E03.730123.dgn  
okhalafalla

DOCUMENT NOT CONSIDERED  
FINAL UNLESS ALL  
SIGNATURES COMPLETED



301 FAYETTEVILLE ST., SUITE 1500  
RALEIGH, NC 27601 (919) 882-7839  
NC FIRM LICENSE: C-1506

PROJECT NO. BR-0120  
PITT COUNTY  
STATION: 13+56.30 -L-

SHEET 3 OF 4

STATE OF NORTH CAROLINA DEPARTMENT OF TRANSPORTATION RALEIGH					
SUBSTRUCTURE END BENT WING DETAILS					
REVISIONS					
NO.	BY:	DATE:	NO.	BY:	DATE:
1			3		
2			4		
SHEET NO.					S-10
TOTAL SHEETS					13

STD. NO. EB-27-90S