

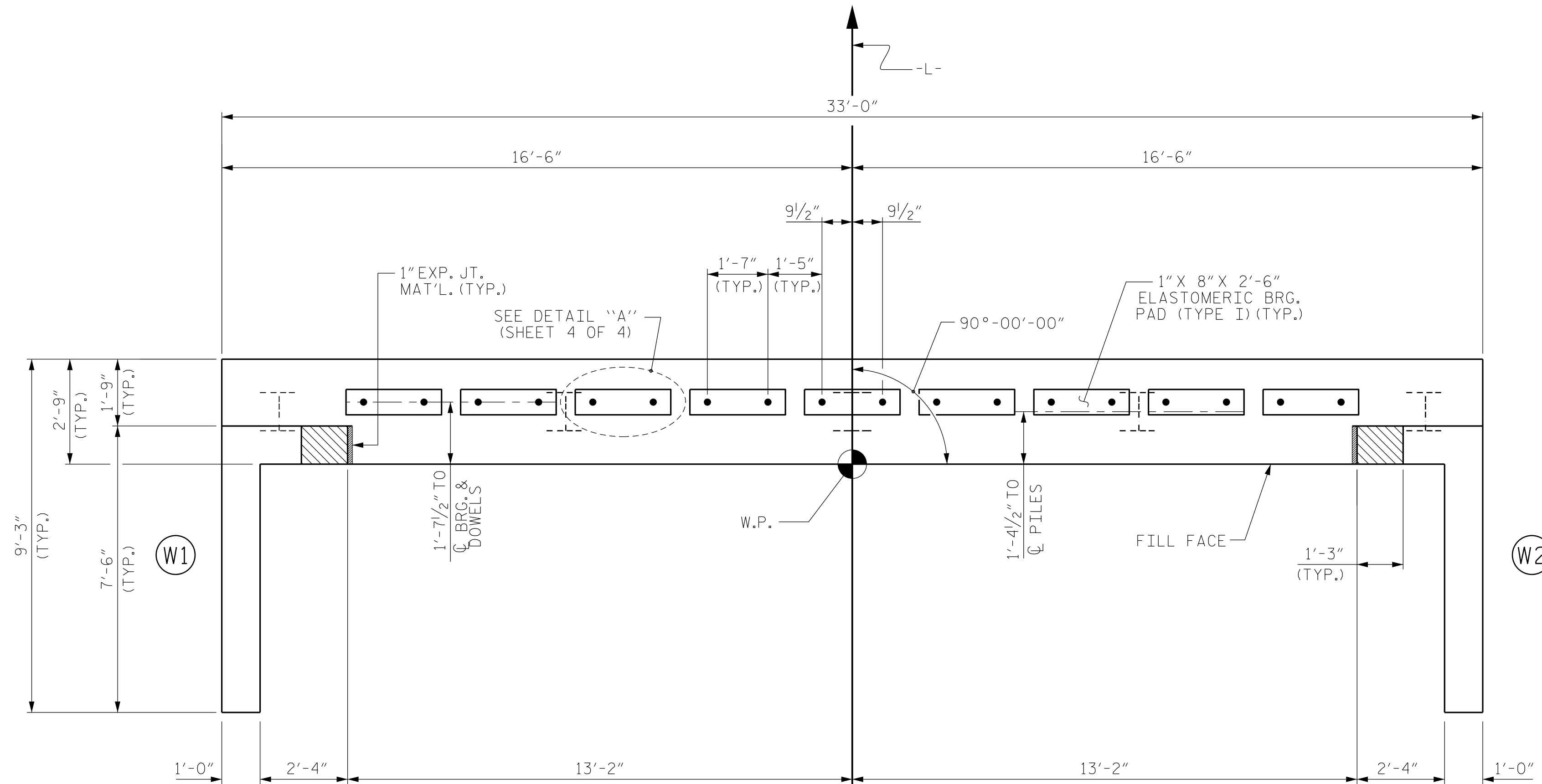
NOTES

STIRRUPS IN CAP MAY BE SHIFTED AS NECESSARY TO CLEAR DOWELS.

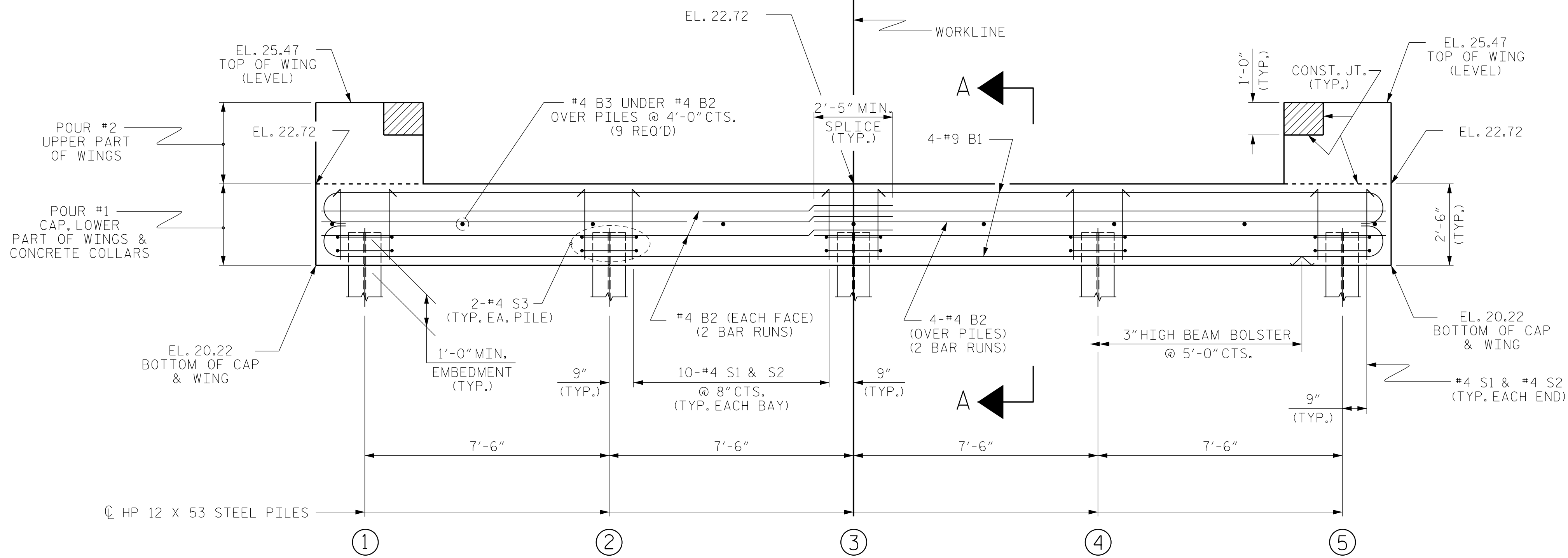
THE CONCRETE IN THE SHADED AREA OF THE WING SHALL BE POURED AFTER THE VERTICAL CONCRETE BARRIER RAIL IS CAST IF SLIP FORMING IS USED.

FOR PILE SPLICE DETAILS, SEE SHEET 4 OF 4.

FOR WING DETAILS, SEE SHEET 3 OF 4.



PLAN



ELEVATION

WINGS NOT SHOWN FOR CLARITY.  
FOR SECTION A-A, SEE SHEET 4 OF 4.  
CONCRETE COLLARS FOR STEEL PILES NOT SHOWN IN PLAN AND ELEVATION VIEWS FOR CLARITY.  
SEE "CORROSION PROTECTION FOR STEEL PILES DETAIL", SHEET 4 OF 4.

PROJECT NO. BR-0120  
PITT COUNTY  
STATION: 13+56.30 -L-

SHEET 1 OF 4

DocuSigned by:  
Jacob H. Duke  
1/8/2020



STATE OF NORTH CAROLINA  
DEPARTMENT OF TRANSPORTATION  
RALEIGH

SUBSTRUCTURE  
END BENT No. 1

DESIGN ENGINEER OF RECORD: JACOB H. DUKE DATE: 12/2019		
ASSEMBLED BY: FIDEL L FLORES DATE: 12/2019		
CHECKED BY: DIEGO A AGUIRRE DATE: 12/2019		
DRAWN BY: DGE 01/10	REV. 4/15	MAA/TMG
CHECKED BY: MKT 01/10		

DOCUMENT NOT CONSIDERED  
FINAL UNLESS ALL  
SIGNATURES COMPLETED

301 FAYETTEVILLE ST., SUITE 1500  
RALEIGH, NC 27601 (919) 882-7839  
NC FIRM LICENSE: C-1506

REVISIONS						SHEET NO.
NO.	BY:	DATE:	NO.	BY:	DATE:	S-8
1			3			TOTAL SHEETS 13
2			4			