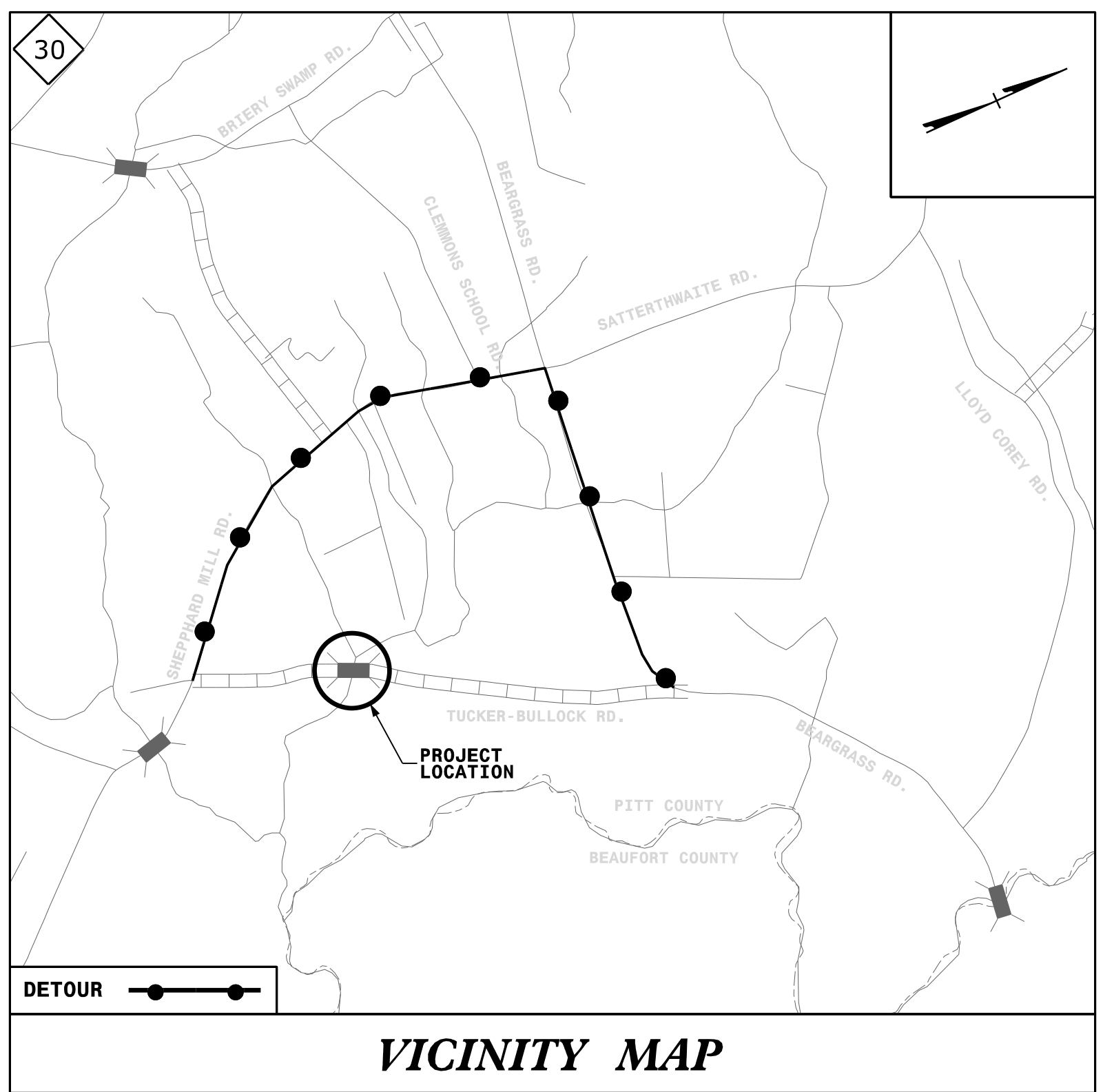


STATE	STATE PROJECT REFERENCE NO.	SHEET NO.	TOTAL SHEETS
N.C.	BR-0120	1	
STATE PROJ. NO.	F. A. PROJ. NO.	DESCRIPTION	
48829.1.1	N/A	PE	
48829.2.1	N/A	R/W, UTILITIES	
48829.3.1	1551006	CONSTRUCTION	

**TIP PROJECT: BR-0120**

See Sheet 1A For Index of Sheets

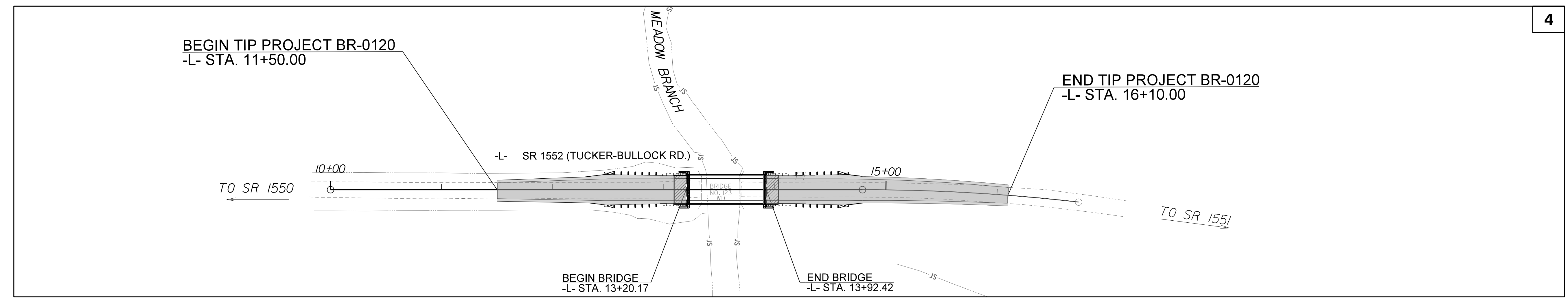
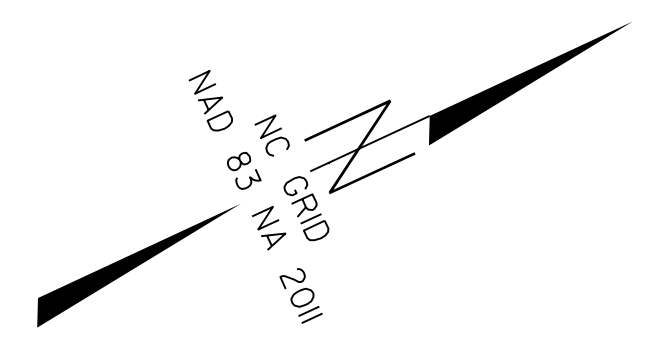
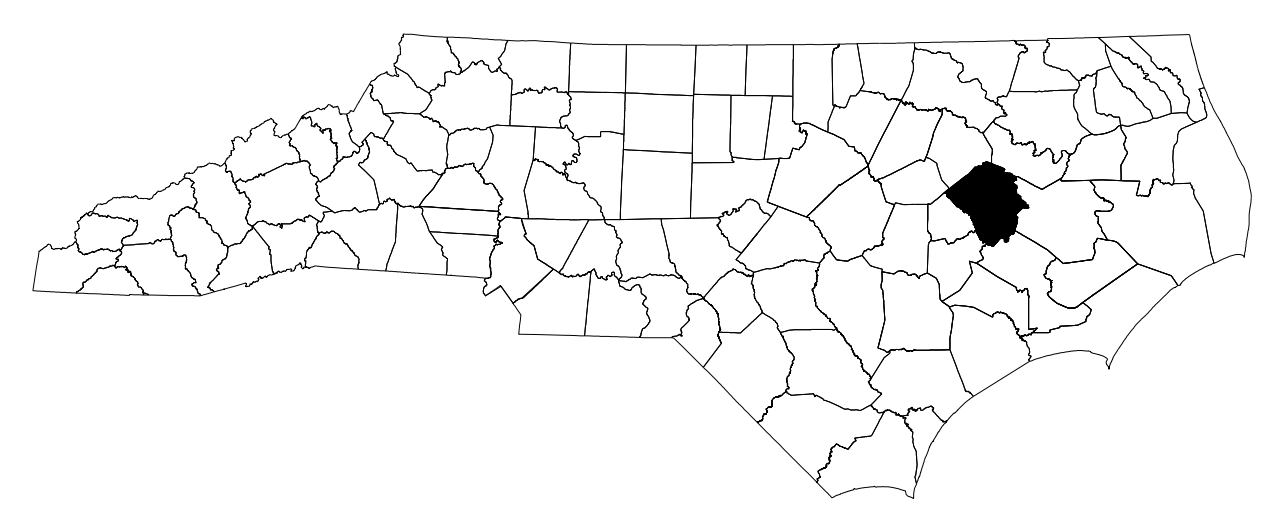


# STATE OF NORTH CAROLINA DIVISION OF HIGHWAYS

## PITT COUNTY

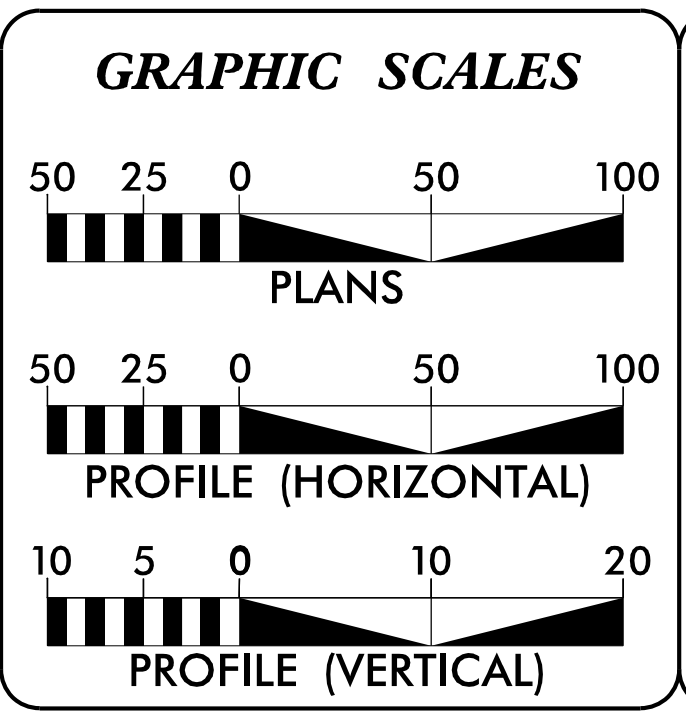
**LOCATION: BRIDGE 730123 ON SR 1552 (TUCKER-BULLOCK RD) OVER MEADOW BRANCH**

**TYPE OF WORK: GRADING, DRAINAGE, PAVING AND STRUCTURE**



THIS IS NOT A CONTROL OF ACCESS PROJECT.

**DOCUMENT NOT CONSIDERED FINAL  
UNLESS ALL SIGNATURES COMPLETED**



**DESIGN DATA**

ADT 2016	= 50
V	= 55 MPH
T	= 6%*
(*TTST 3% +	DUALS 3%)
FUNC CLASS	= LOCAL RURAL
SUB-REGIONAL TIER	

**PROJECT LENGTH**

LENGTH ROADWAY TIP PROJECT BR-0120	= 0.073 MILES
LENGTH STRUCTURES TIP PROJECT BR-0120	= 0.014 MILES
TOTAL LENGTH TIP PROJECT BR-0120	= 0.087 MILES

**NCDOT CONTACT:** DAVID STUTTS, PE  
SMU PROJECT MANAGER

Prepared In the Office of:

**KCA**  
KISINGER CAMPO & ASSOCIATES  
301 FAYETTEVILLE ST., SUITE 1500  
RALEIGH, NC 27601 (919) 882-7839  
NC FIRM LICENSE: C-1506

2018 STANDARD SPECIFICATIONS

**RIGHT OF WAY DATE:** SEPTEMBER 12, 2019

**LETTING DATE:** NOVEMBER 17, 2020

**JACOB H DUKE, PE**  
PROJECT ENGINEER

**DIEGO A AGUIRRE, PE**  
PROJECT DESIGN ENGINEER

**STRUCTURES MANAGEMENT UNIT**

