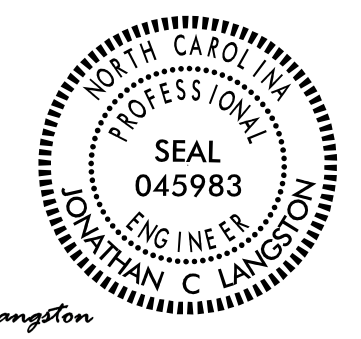


**T.I.P.: BR-0120**

**STATE OF NORTH CAROLINA  
DEPARTMENT OF TRANSPORTATION**

**SIGNING PLAN  
PITT COUNTY**

**LOCATION: BRIDGE NO. 730123 ON SR 1552 (TUCKER-BULLOCK RD)  
OVER MEADOW BRANCH**

<small>TIP NO.</small> BR-0120	<small>SHEET NO.</small> SIGN-1
<small>APPROVED:</small> _____	
<small>DATE:</small> _____	
<small>SEAL</small> 1/17/2020	
	
<small>DocuSigned by:</small> <i>Jonathan Langston</i>	
<b>DOCUMENT NOT CONSIDERED FINAL UNLESS ALL SIGNATURES COMPLETED</b>	

**ROADWAY STANDARD DRAWING**

THE FOLLOWING ROADWAY STANDARDS AS APPEAR IN "ROADWAY STANDARD DRAWINGS" - PROJECT SERVICES UNIT - N.C. DEPARTMENT OF TRANSPORTATION - RALEIGH, N.C., DATED JANUARY 2018 ARE APPLICABLE TO THIS PROJECT AND BY REFERENCE HEREBY ARE CONSIDERED A PART OF THESE PLANS:

<u>STD. NO.</u>	<u>TITLE</u>
904.10	ORIENTATION OF GROUND MOUNTED SIGNS
904.50	MOUNTING OF TYPE 'D', 'E' AND 'F' SIGNS ON 'U' CHANNEL POSTS

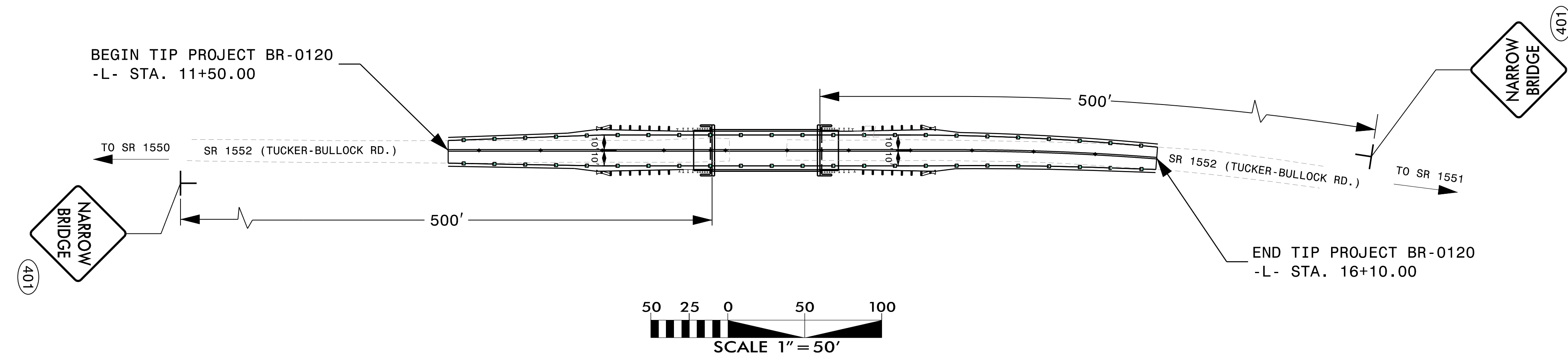
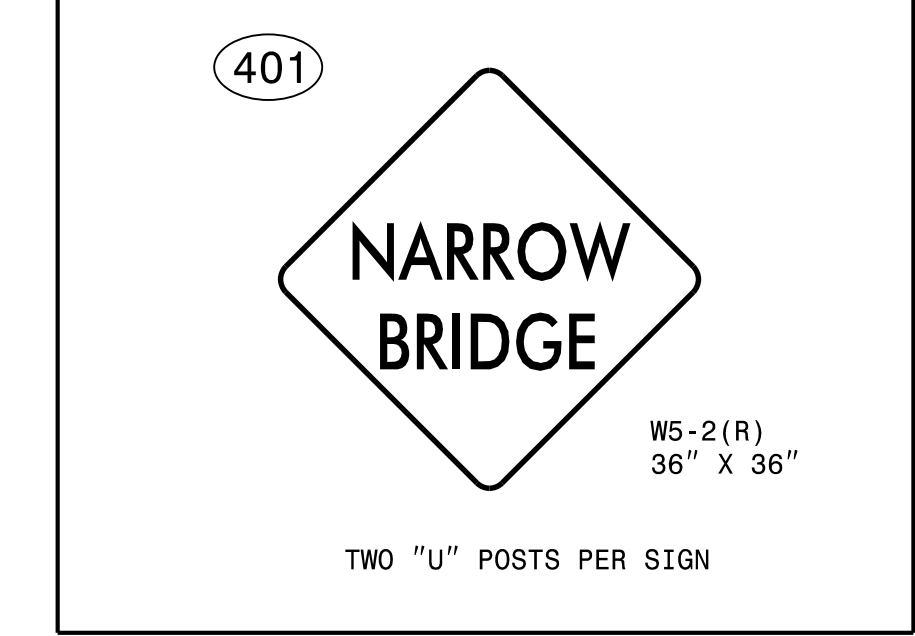
**GENERAL NOTES**

- SIGNS FURNISHED BY STATE
- CONFIRM IN WRITING AT LEAST 4 MONTHS IN ADVANCE, THE ACTUAL DATE THE DEPARTMENT FURNISHED SIGNS WILL BE REQUIRED.
- WHEN NOT STATIONED OR DIMENSIONED ON PLANS, ALL 'E' AND 'F' SIGNS SHALL BE FIELD LOCATED BY THE ENGINEER
- THE BACKGROUND FOR TYPE E & F SIGNS SHALL BE TYPE C REFLECTIVE SHEETING.

**SUMMARY OF QUANTITIES**

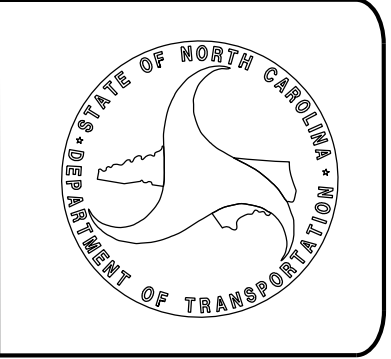
ITEM NO.	DESC. NO.	SECT. NO.	ITEM DESCRIPTION	QUANTITY	UNIT
4072000000	903		SUPPORTS, 3-LB STEEL U-CHANNEL	21	LF
4102000000	904		SIGN ERECTION, TYPE E	2	EA

**TYPE "E" SIGNS**



**PLAN SUBMITTED TO:**

**DERRICK H. BEARD - SIGNING AND DELINEATION PROJECT DESIGN ENGINEER**



**PLAN PREPARED BY: KISINGER CAMPO & ASSOCIATES**

**JONATHAN LANGSTON, PE** PROJECT ENGINEER  
**ANDREA JENSEN, EI** PROJECT DESIGNER

**KCA** KISINGER CAMPO & ASSOCIATES

NC FIRM LICENSE No: C-1506  
301 Fayetteville St.,  
Suite 1500  
Raleigh, NC 27601  
(919) 882-7839

17-JAN-2020 10:32  
BR-0120\_Sign\_SLP\_tsh.dgn  
idebecme