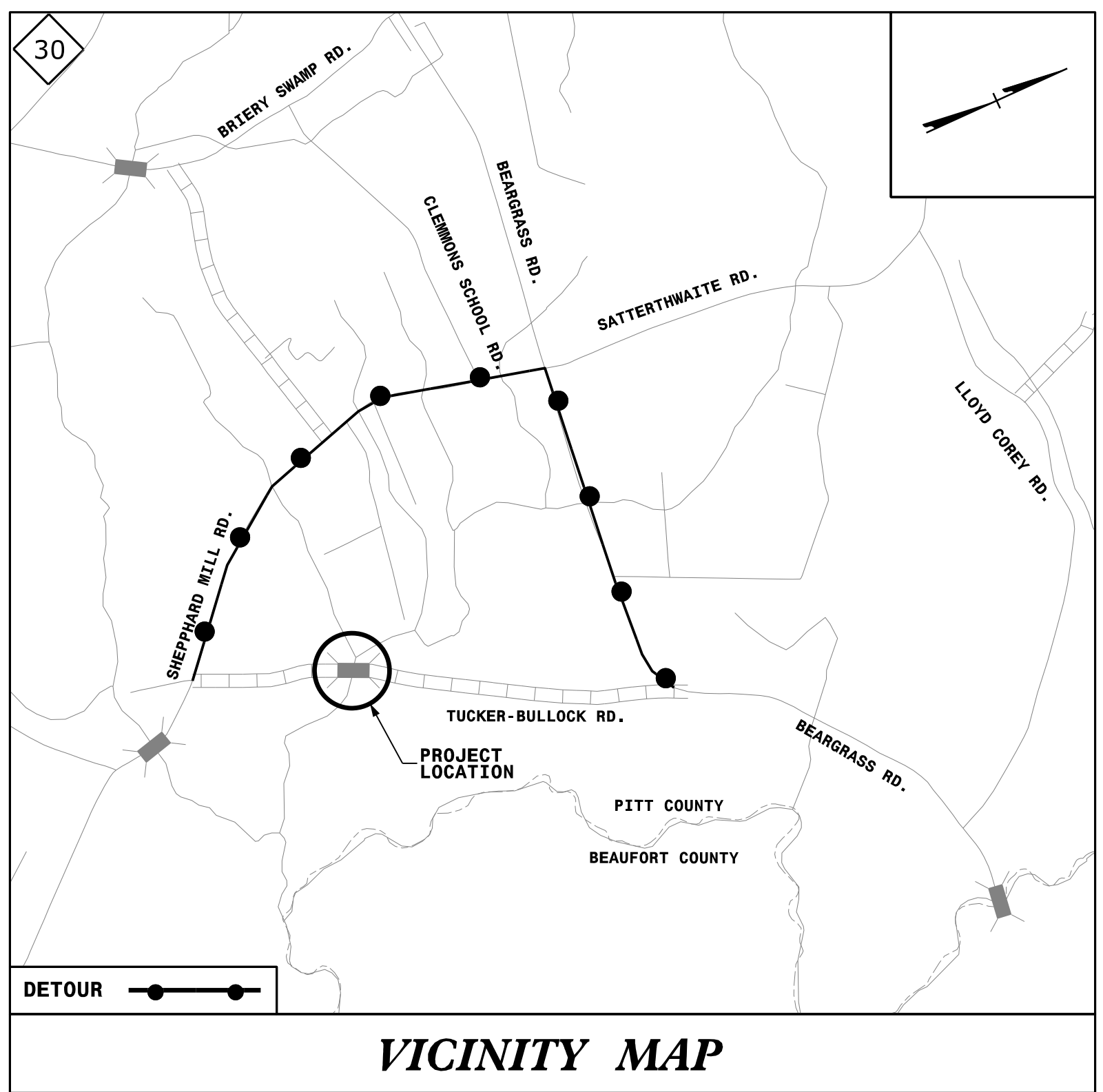


STATE	STATE PROJECT REFERENCE NO.	SHEET NO.	TOTAL SHEETS
N.C.	BR-0120	1	
STATE PROJ. NO.	F. A. PROJ. NO.	DESCRIPTION	
48829.1.1	N/A	PE	
48829.2.1	N/A	R/W, UTILITIES	
48829.3.1	2020001	CONSTRUCTION	

TIP PROJECT: BR-0120

CONTRACT: C204522

See Sheet 1A For Index of Sheets

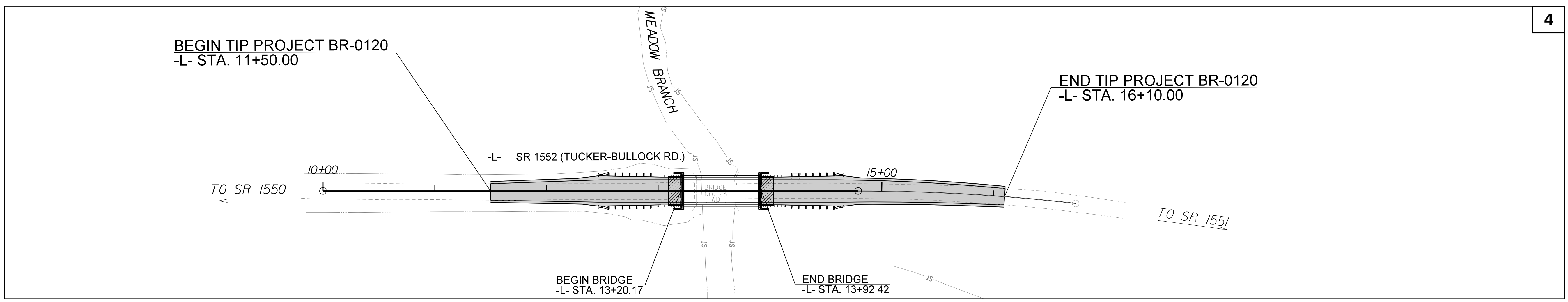
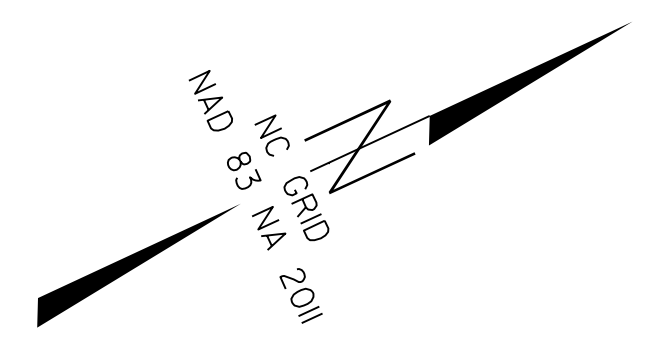
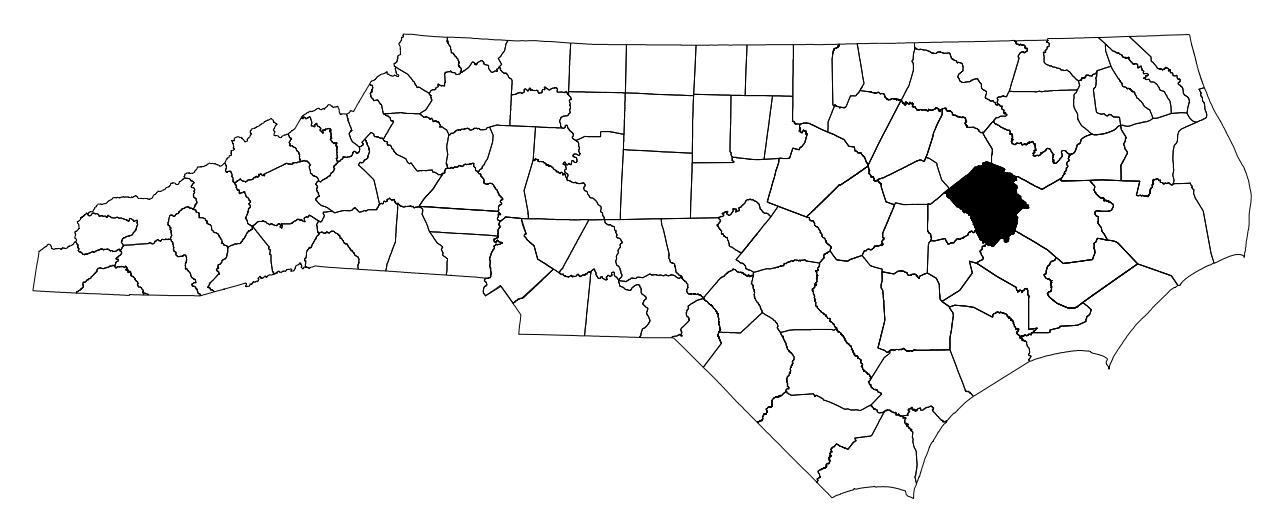


# STATE OF NORTH CAROLINA DIVISION OF HIGHWAYS

## PITT COUNTY

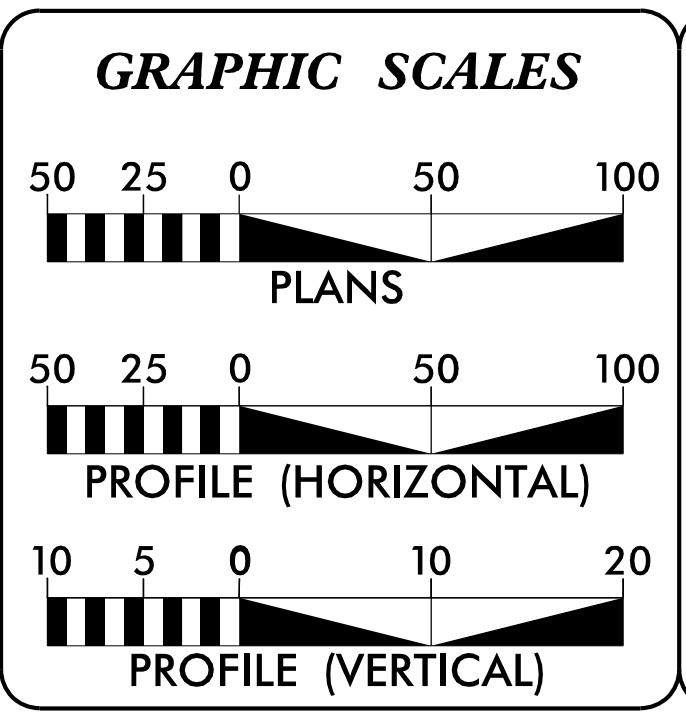
**LOCATION: BRIDGE 730123 ON SR 1552 (TUCKER-BULLOCK RD)  
OVER MEADOW BRANCH**

**TYPE OF WORK: GRADING, DRAINAGE, PAVING AND STRUCTURE**



4

DOCUMENT NOT CONSIDERED FINAL  
UNLESS ALL SIGNATURES COMPLETED



**DESIGN DATA**

ADT 2020 = 70  
V = 55 MPH  
T = 6%\*  
(\*TTST 3% + DUALS 3%)  
FUNC CLASS = LOCAL RURAL  
SUB-REGIONAL TIER

**PROJECT LENGTH**

LENGTH ROADWAY TIP PROJECT BR-0120 = 0.073 MILES  
LENGTH STRUCTURES TIP PROJECT BR-0120 = 0.014 MILES  
TOTAL LENGTH TIP PROJECT BR-0120 = 0.087 MILES

**NCDOT CONTACT:** DAVID STUTTS, PE  
SMU PROJECT MANAGER

Prepared in the Office of:

**KCA**  
KISINGER CAMPO & ASSOCIATES  
NC FIRM LICENSE No: C-1506  
301 Fayetteville St., Suite 1500  
Raleigh, NC 27601  
(919)882-7839

2018 STANDARD SPECIFICATIONS

**RIGHT OF WAY DATE:** SEPTEMBER 12, 2019

**LETTING DATE:** NOVEMBER 17, 2020

**SAMUEL L. CULLUM, P.E.**  
PROJECT ENGINEER

**ALLEN MCSWAIN**  
PROJECT DESIGN ENGINEER

**HYDRAULICS ENGINEER**

DocuSigned by:  
Samuel Cullum 9/3/2020  
19C97095C75A467...

SIGNATURE: \_\_\_\_\_

**ROADWAY DESIGN ENGINEER**

DocuSigned by:  
Samuel Cullum 9/3/2020  
19C97095C75A467...

SIGNATURE: \_\_\_\_\_

