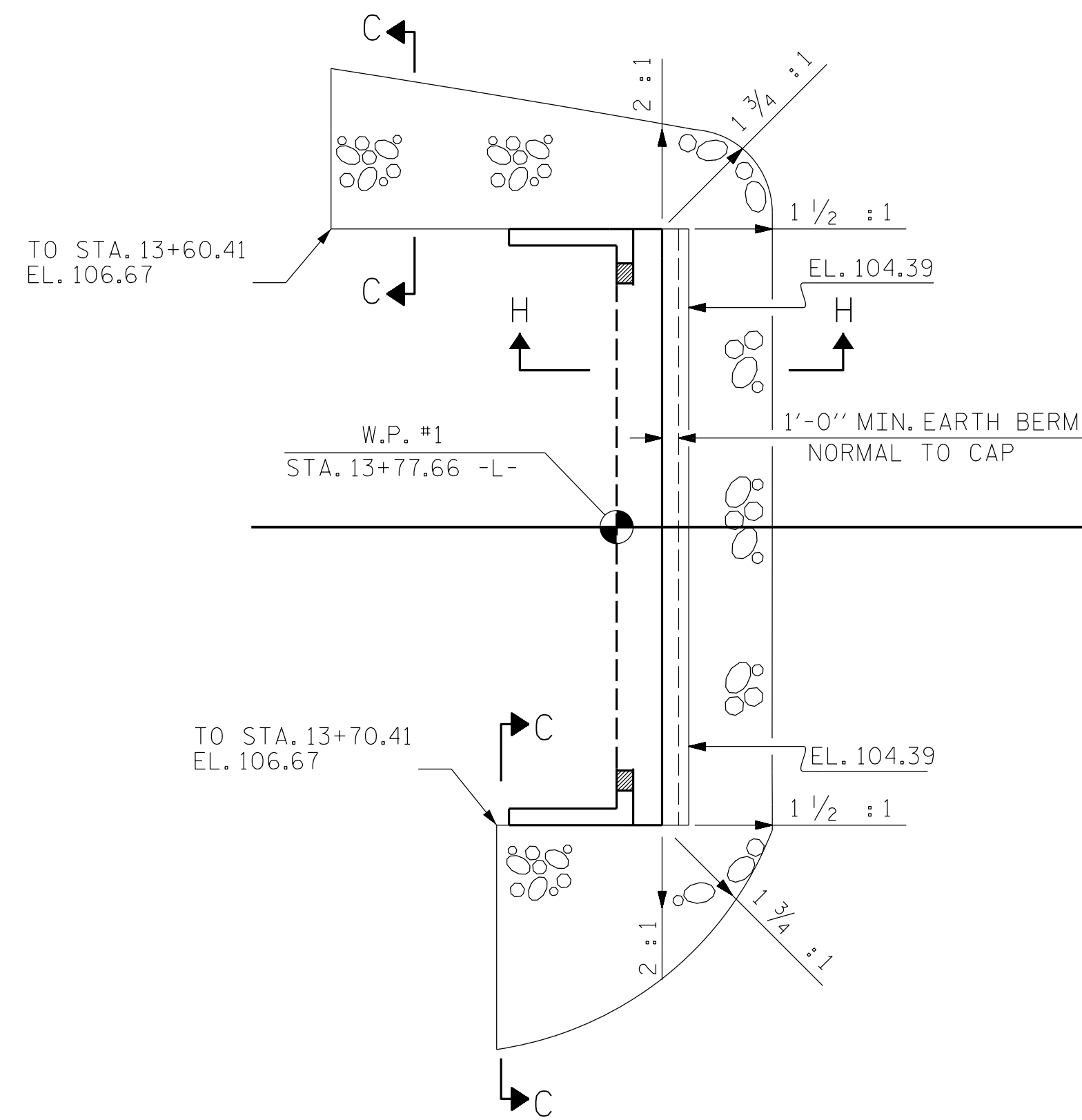
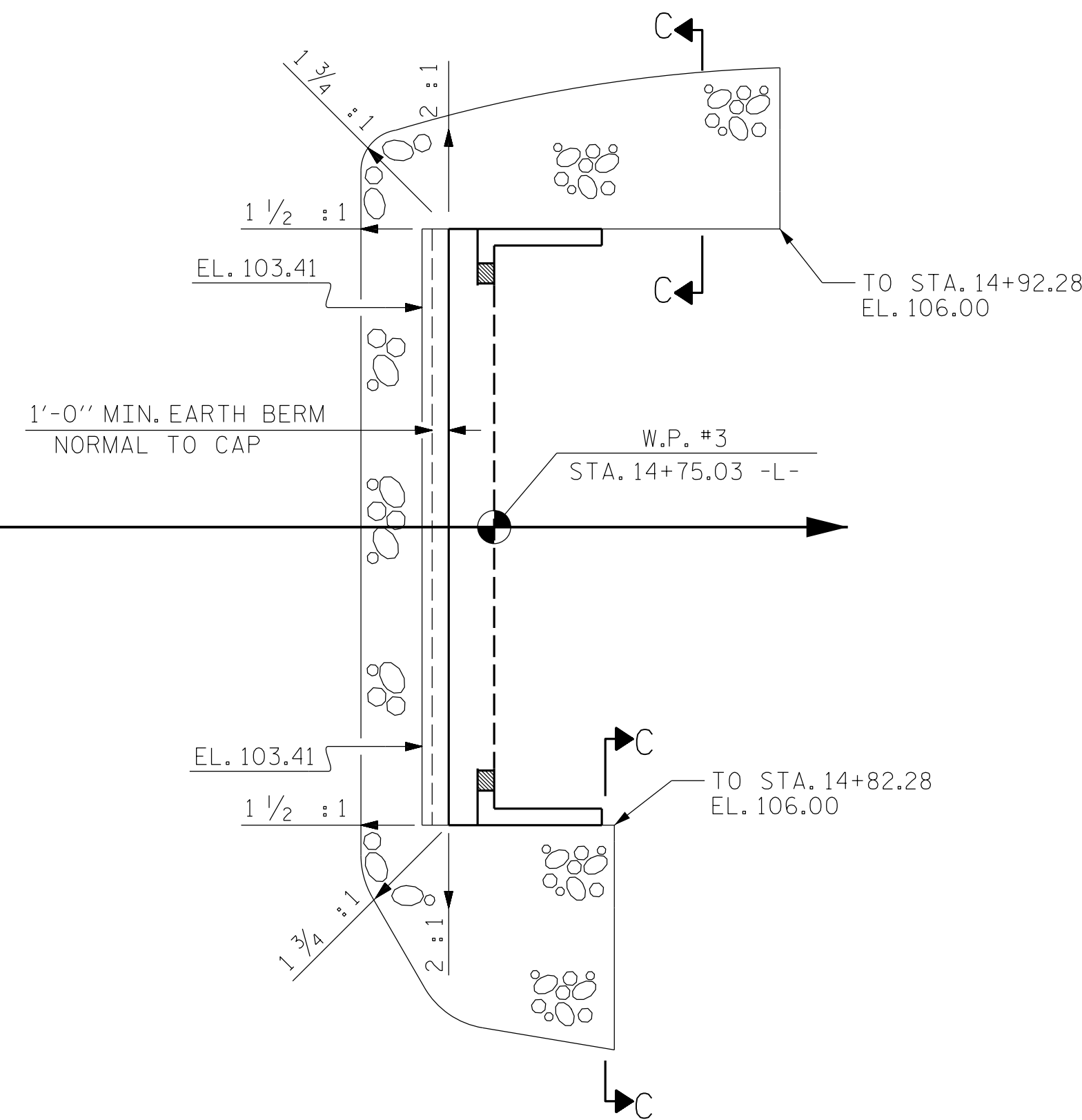


NOTES :
FOR BERM WIDTH DIMENSIONS, SEE GENERAL DRAWING.

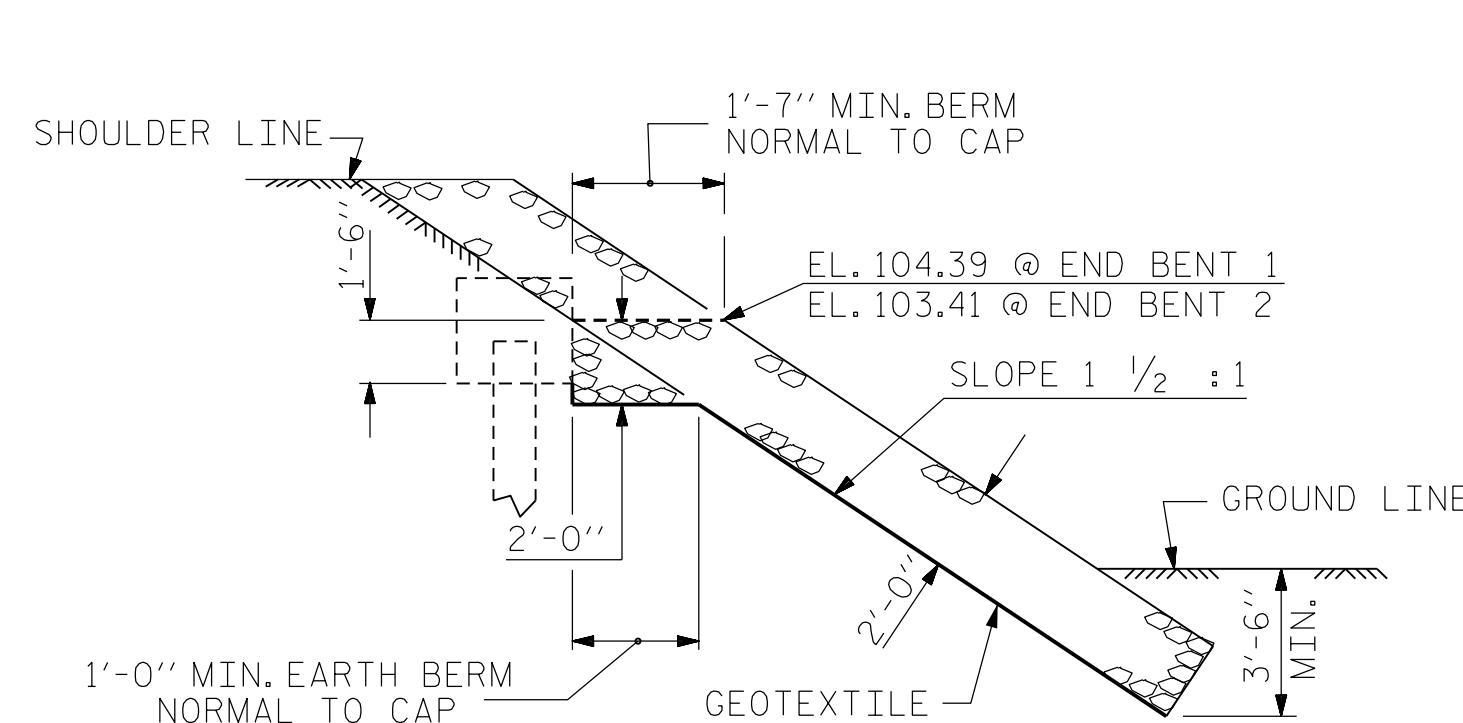


RIP RAP AT END BENT 1

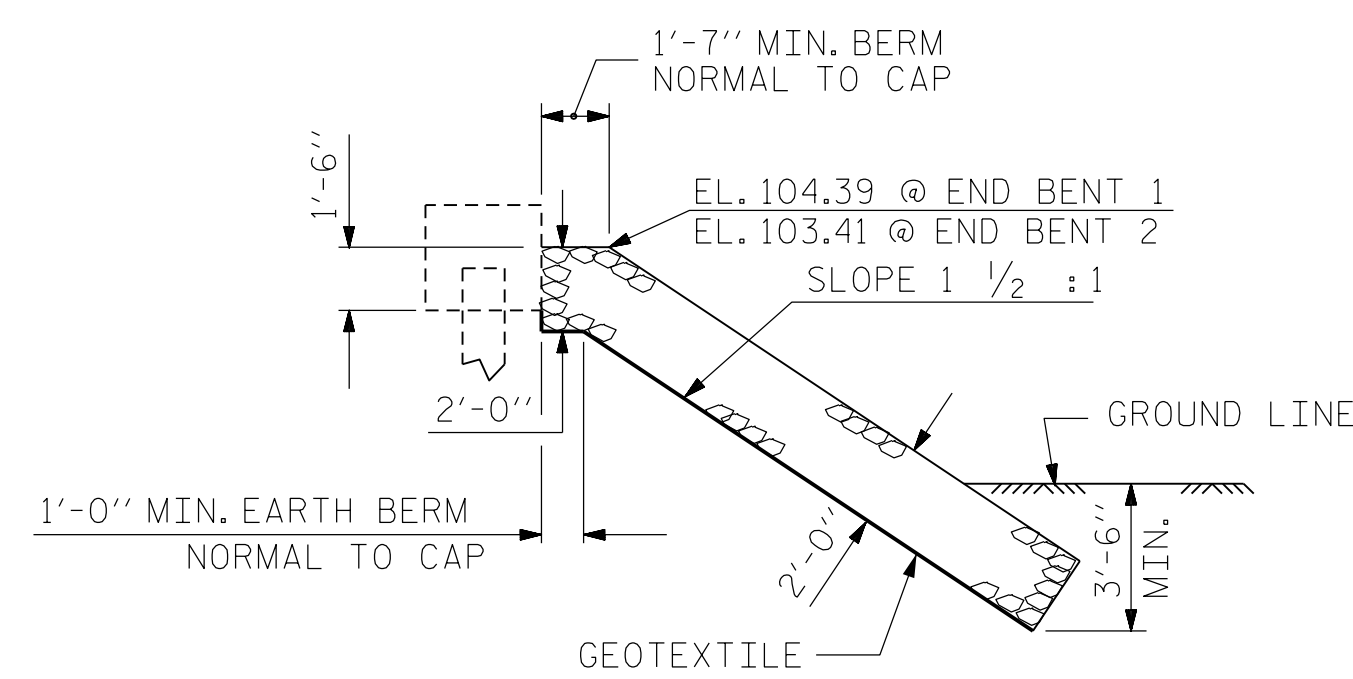


RIP RAP AT END BENT 2

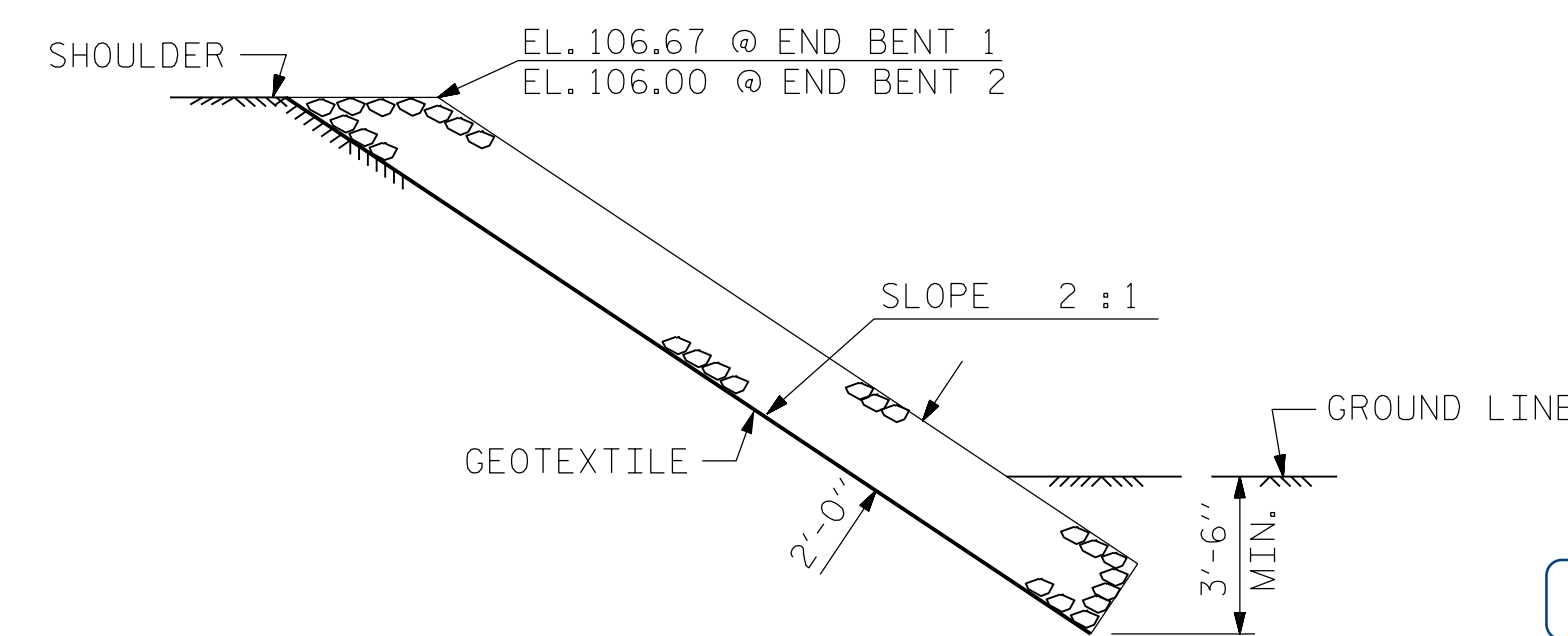
ESTIMATED QUANTITIES		
BRIDGE @ STA. 14+26.35	RIP RAP CLASS II (2'-0" THICK)	GEOTEXTILE FOR DRAINAGE
	TONS	SQUARE YARDS
END BENT 1	65	72
END BENT 2	62	69



SECTION H-H

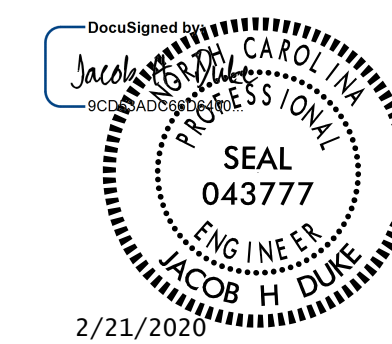


SECTION C-C
BERM RIP RAPPED



SECTION C-C

PROJECT NO. BR-0117
NORTHAMPTON COUNTY
STATION: 14+26.35 -L-



STATE OF NORTH CAROLINA DEPARTMENT OF TRANSPORTATION RALEIGH					
STANDARD RIP RAP DETAILS					
REVISIONS					
NO.	BY:	DATE:	NO.	BY:	DATE:
1			3		
2			4		
SHEET NO. S-18					TOTAL SHEETS 19

DESIGN ENGINEER OF RECORD: JACOB H. DUKE DATE : 01/2020					
ASSEMBLED BY : DIEGO A. AGUIRRE DATE : 01/2020					
CHECKED BY : FIDEL L. FLORES DATE : 01/2020					
DRAWN BY : REK 1/84	REV. 10/1/11	MAA/GM			
CHECKED BY : RDU 1/84	REV. 12/21/11	MAA/GM			
	REV. 12/17	MAA/THC			

DOCUMENT NOT CONSIDERED
FINAL UNLESS ALL
SIGNATURES COMPLETED