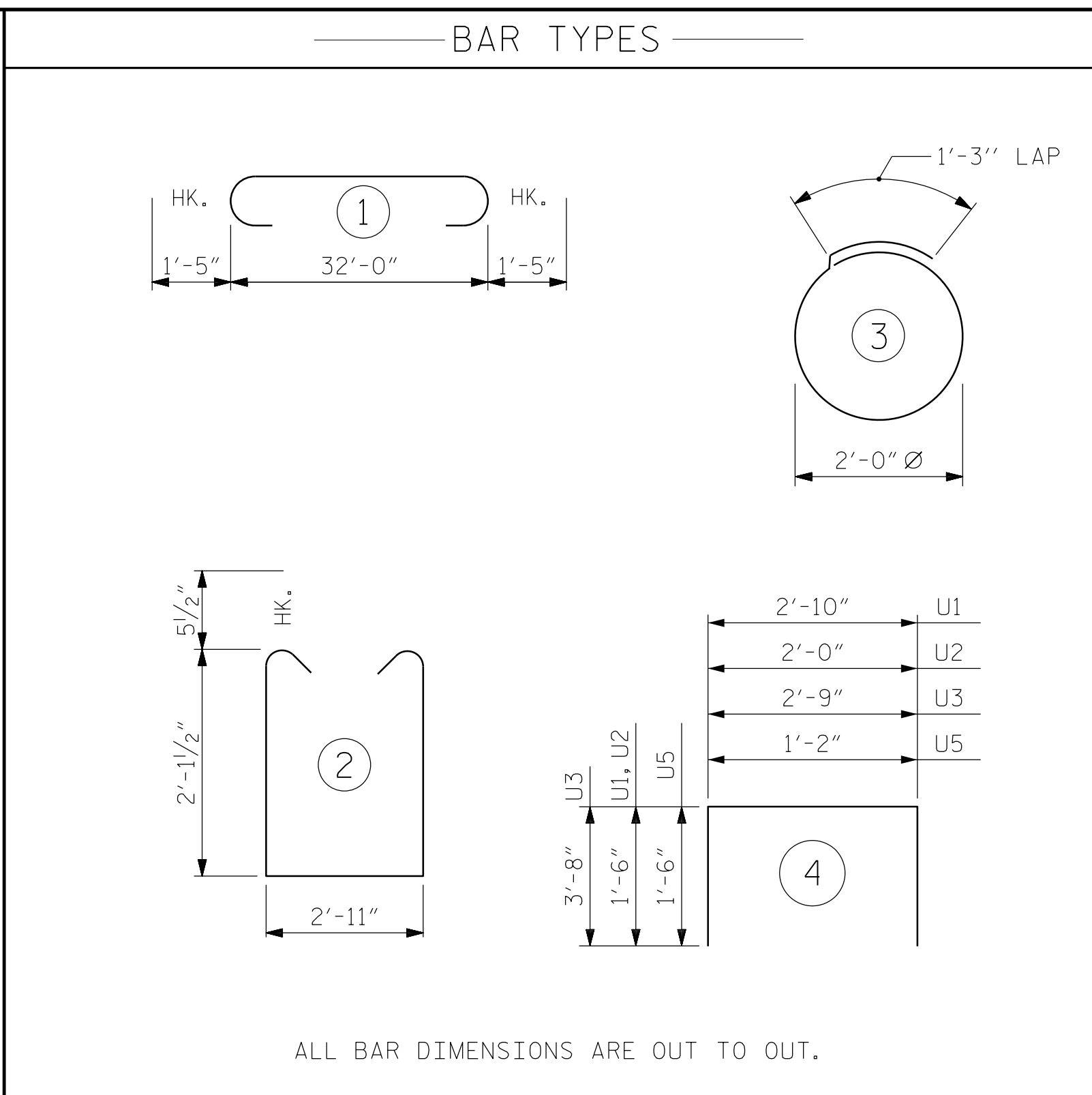
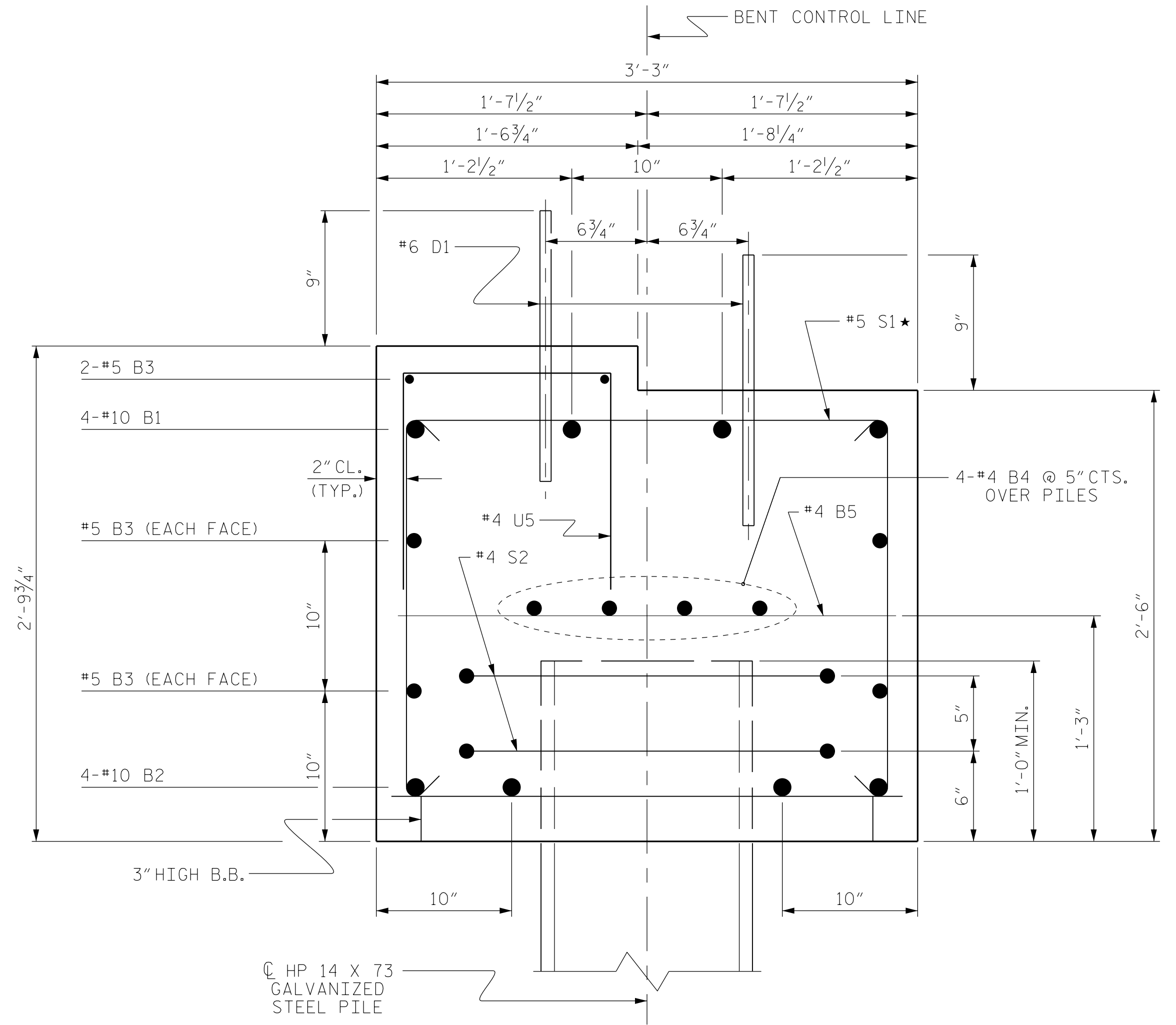
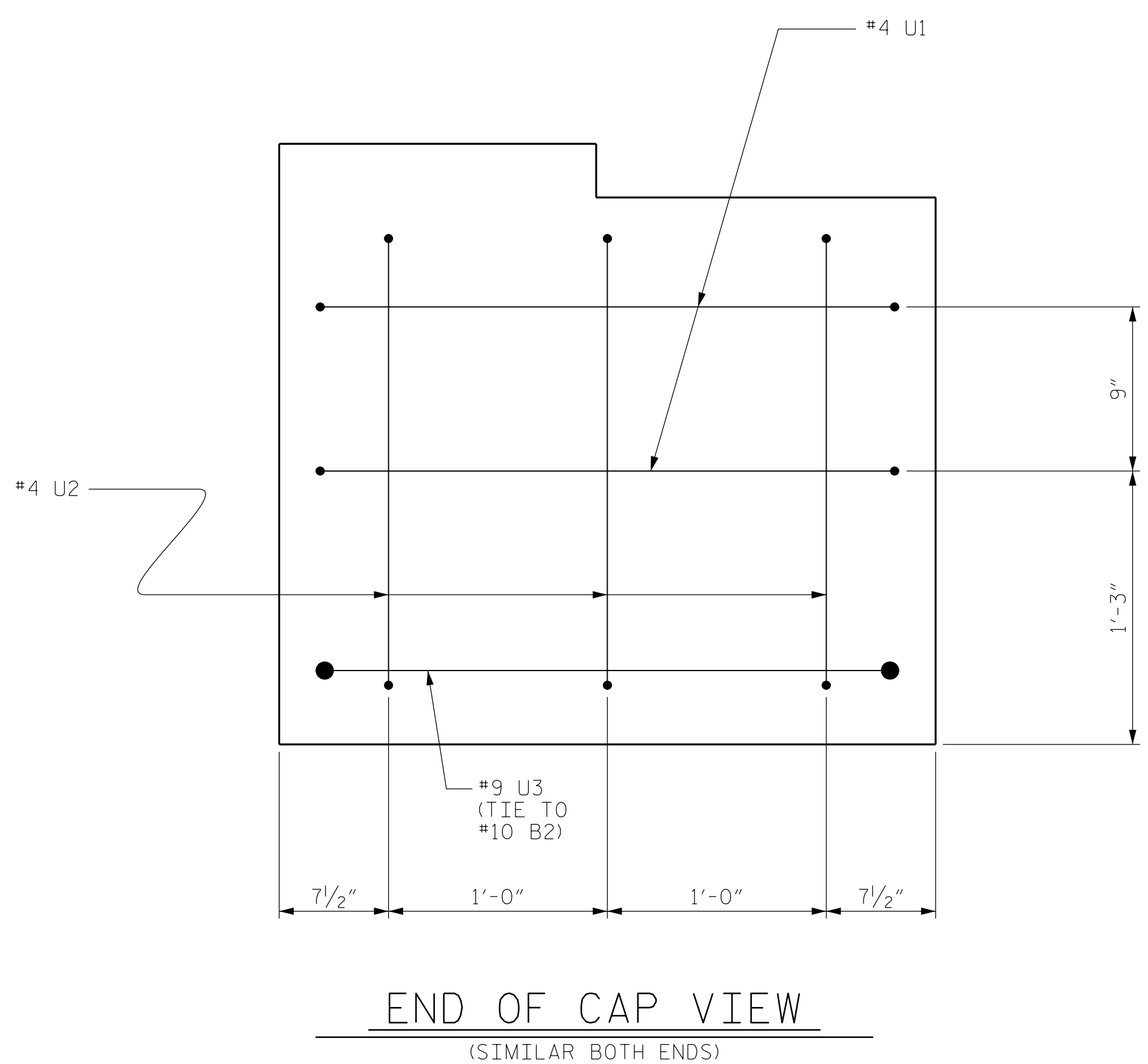


PILE SPLICE DETAILS



BILL OF MATERIAL FOR ONE BENT					
BAR	NO.	SIZE	TYPE	LENGTH	WEIGHT
B1	4	#10	1	34'-10"	600
B2	4	#10	STR	32'-2"	554
B3	6	#5	STR	32'-2"	201
B4	8	#4	STR	17'-4"	93
B5	8	#4	STR	2'-11"	16
D1	40	#6	STR	1'-6"	90
S1	32	#5	2	8'-1"	270
S2	14	#4	3	7'-7"	71
U1	4	#4	4	5'-10"	16
U2	6	#4	4	5'-0"	21
U3	2	#9	4	10'-1"	69
U5	32	#4	4	4'-2"	89
REINFORCING STEEL (FOR ONE BENT)					2090 LBS
CLASS A CONCRETE BREAKDOWN (FOR ONE BENT)					
TOTAL CLASS A CONCRETE					10.8 C.Y.
HP 14 X 73 GALVANIZED STEEL PILES (FOR ONE BENT)					
No. 7					LIN. FT. 665
PILE DRIVING EQUIPMENT SETUP FOR HP 14 X 73 GALVANIZED STEEL PILES (FOR ONE BENT)					NO: 7
PILE REDRIVES					NO: 7



SECTION A-A
(* INVERT ALTERNATE STIRRUPS)

PROJECT NO. BR-0117
NORTHAMPTON COUNTY
 STATION: 14+26.35 -L-

SHEET 2 OF 2
 STATE OF NORTH CAROLINA
 DEPARTMENT OF TRANSPORTATION
 RALEIGH
 SUBSTRUCTURE
 BENT No. 1



DESIGN ENGINEER OF RECORD:		
JACOB H. DUKE DATE: 01/2020		
ASSEMBLED BY: DIEGO A. AGUIRRE DATE: 01/2020		
CHECKED BY: FIDEL L. FLORES DATE: 01/2020		
DRAWN BY: DGE 05/10	REV. 6/17	MAA/THC
CHECKED BY: MKT 05/10		

DOCUMENT NOT CONSIDERED FINAL UNLESS ALL SIGNATURES COMPLETED

REVISIONS						SHEET NO.
NO.	BY:	DATE:	NO.	BY:	DATE:	
1			3			S-17
2			4			TOTAL SHEETS 19