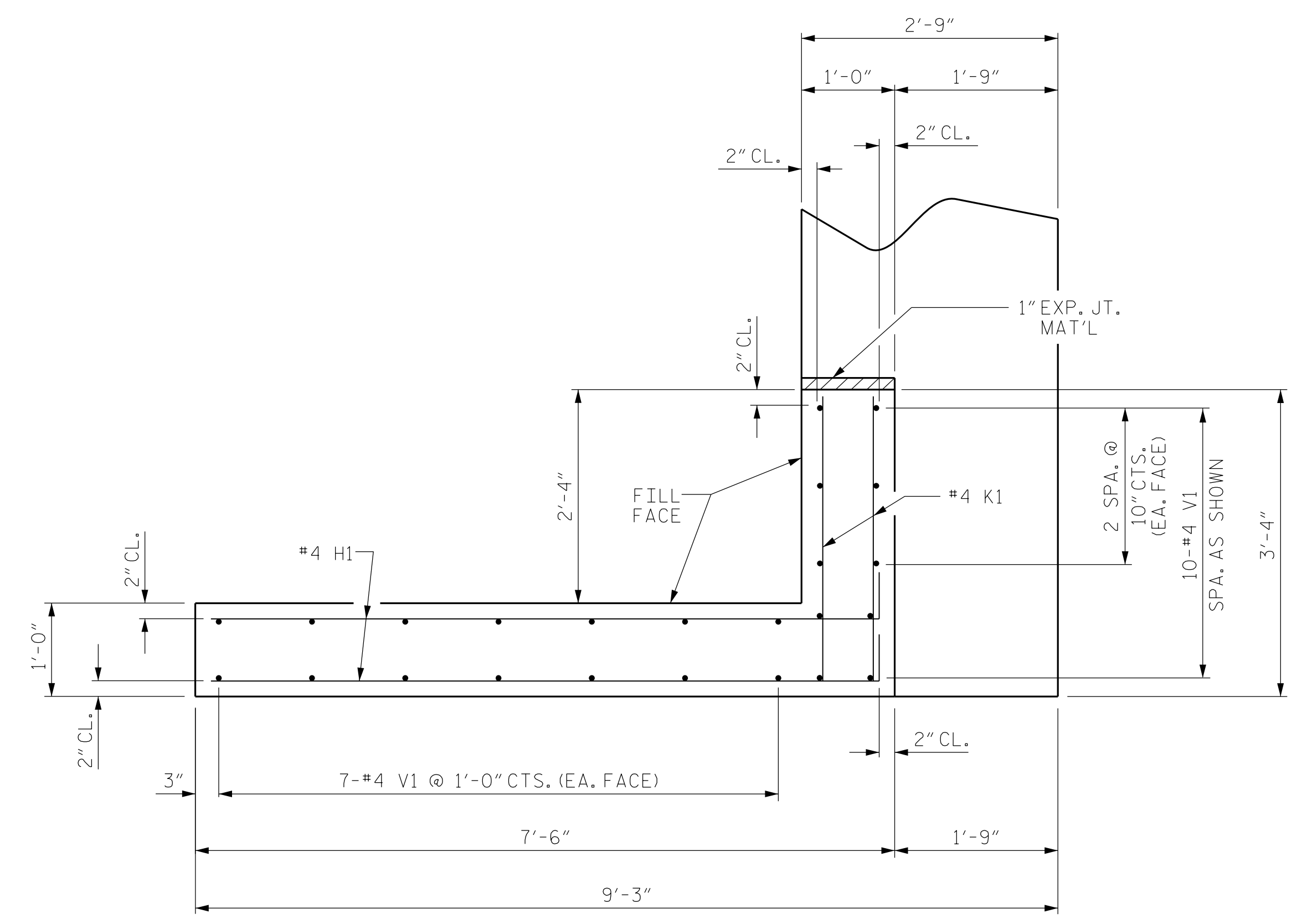
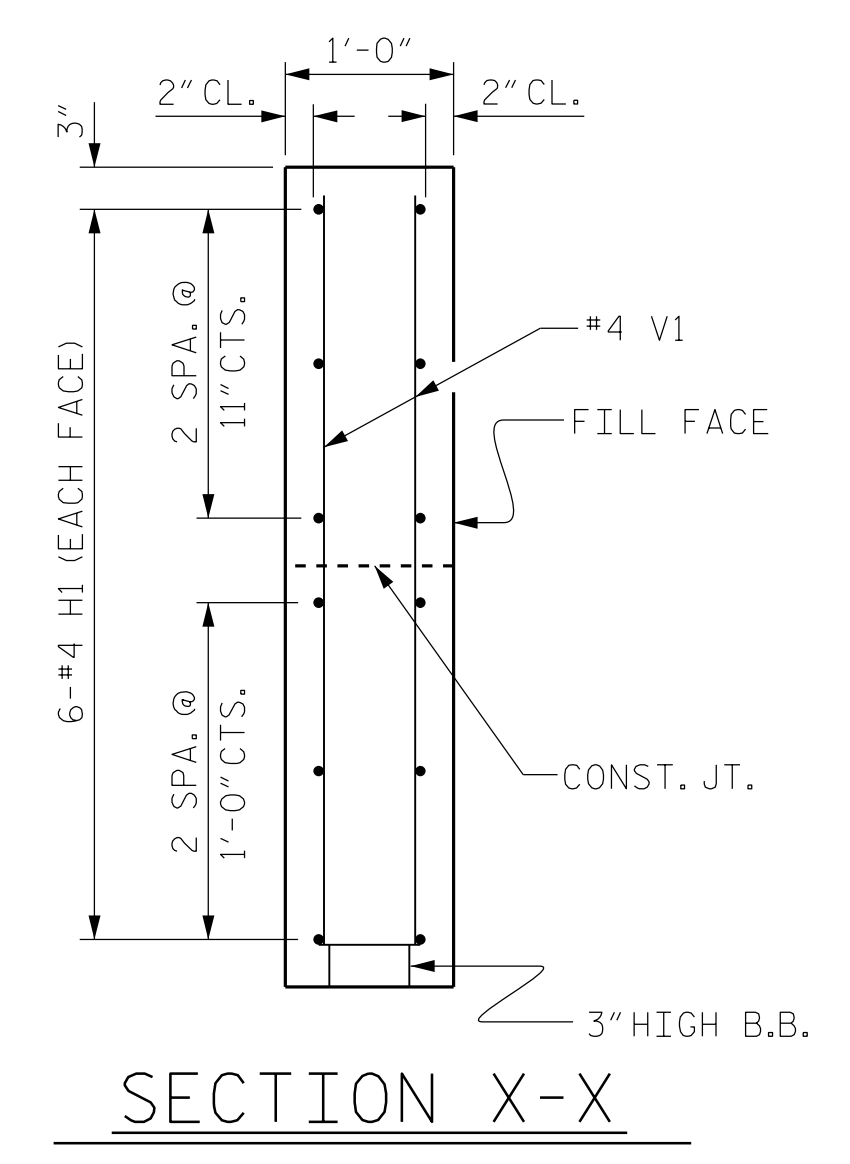


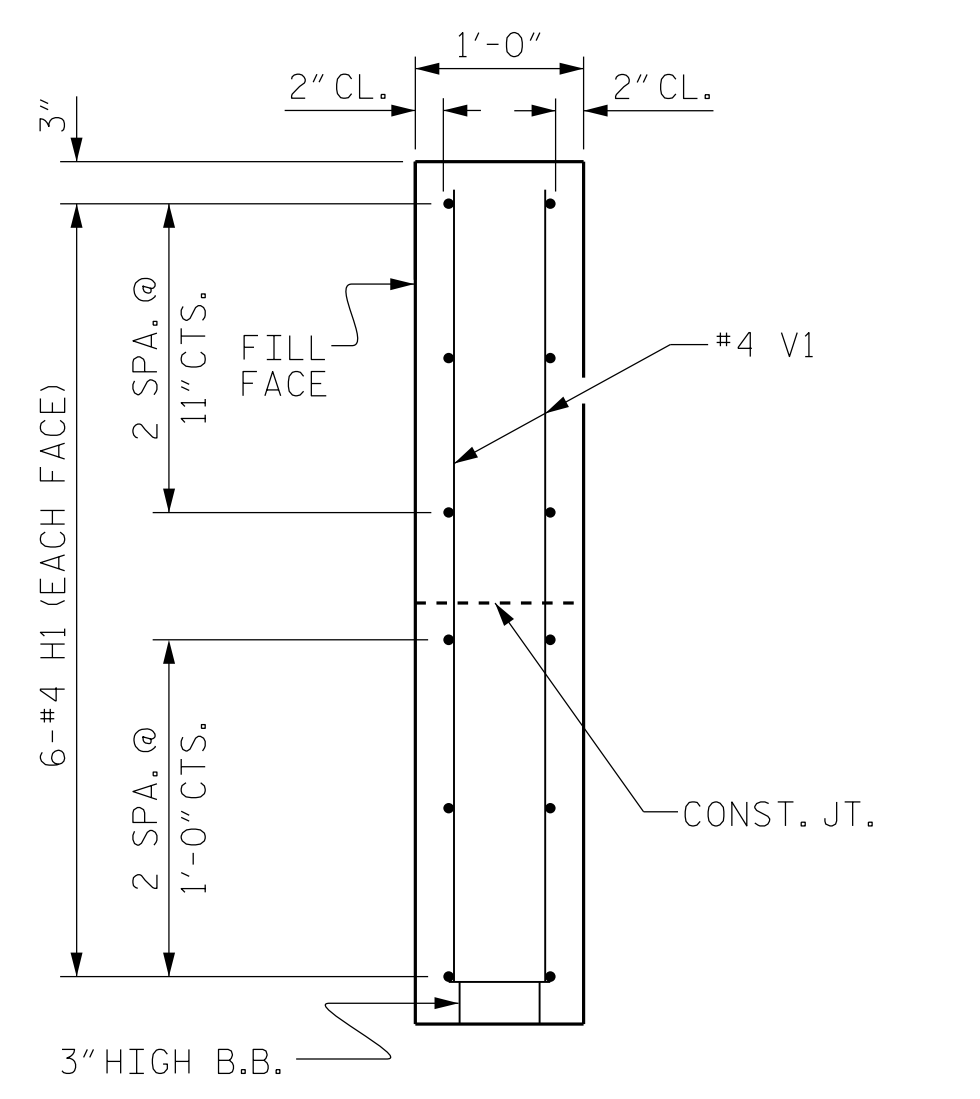
PLAN OF WING (W1)



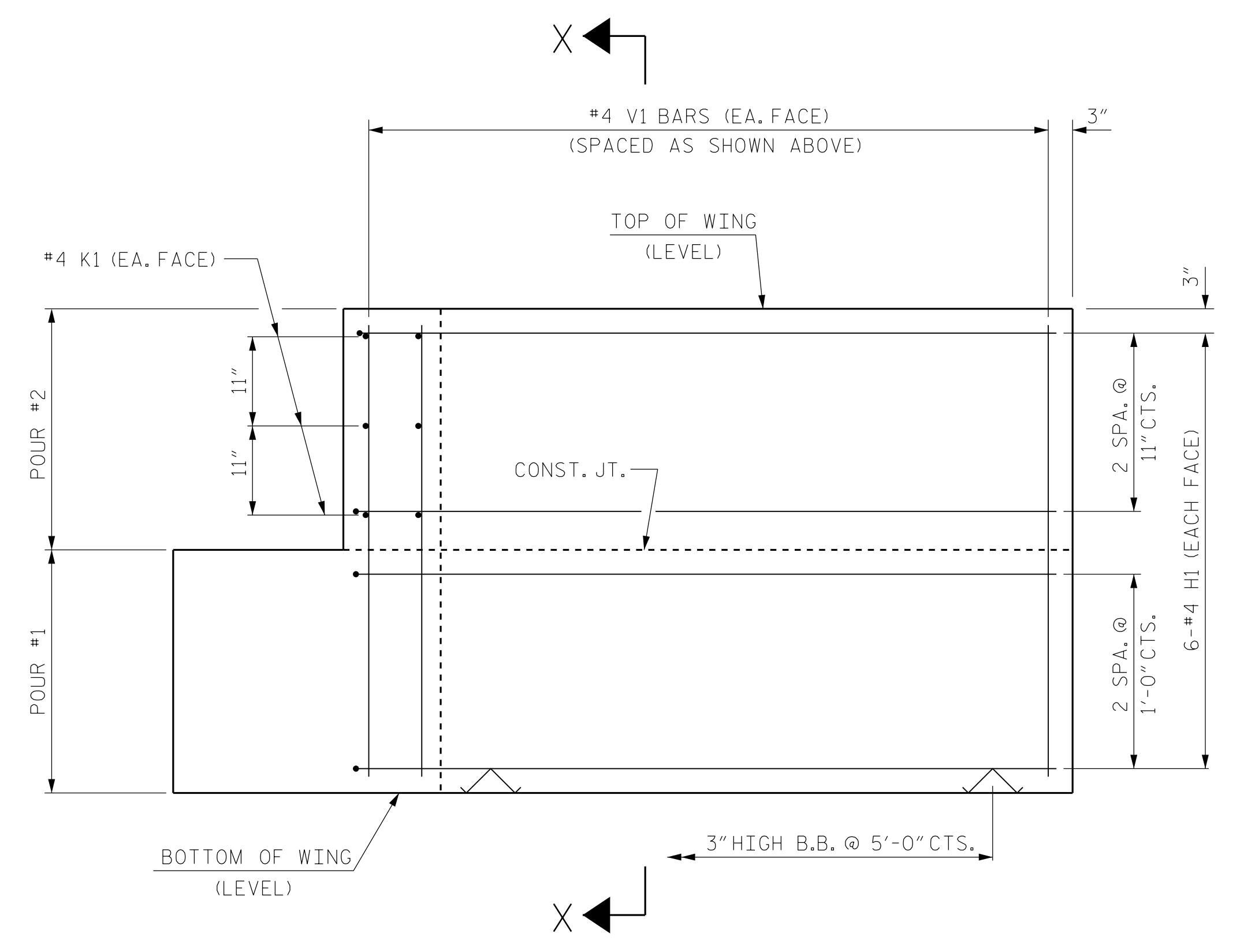
PLAN OF WING (W2)



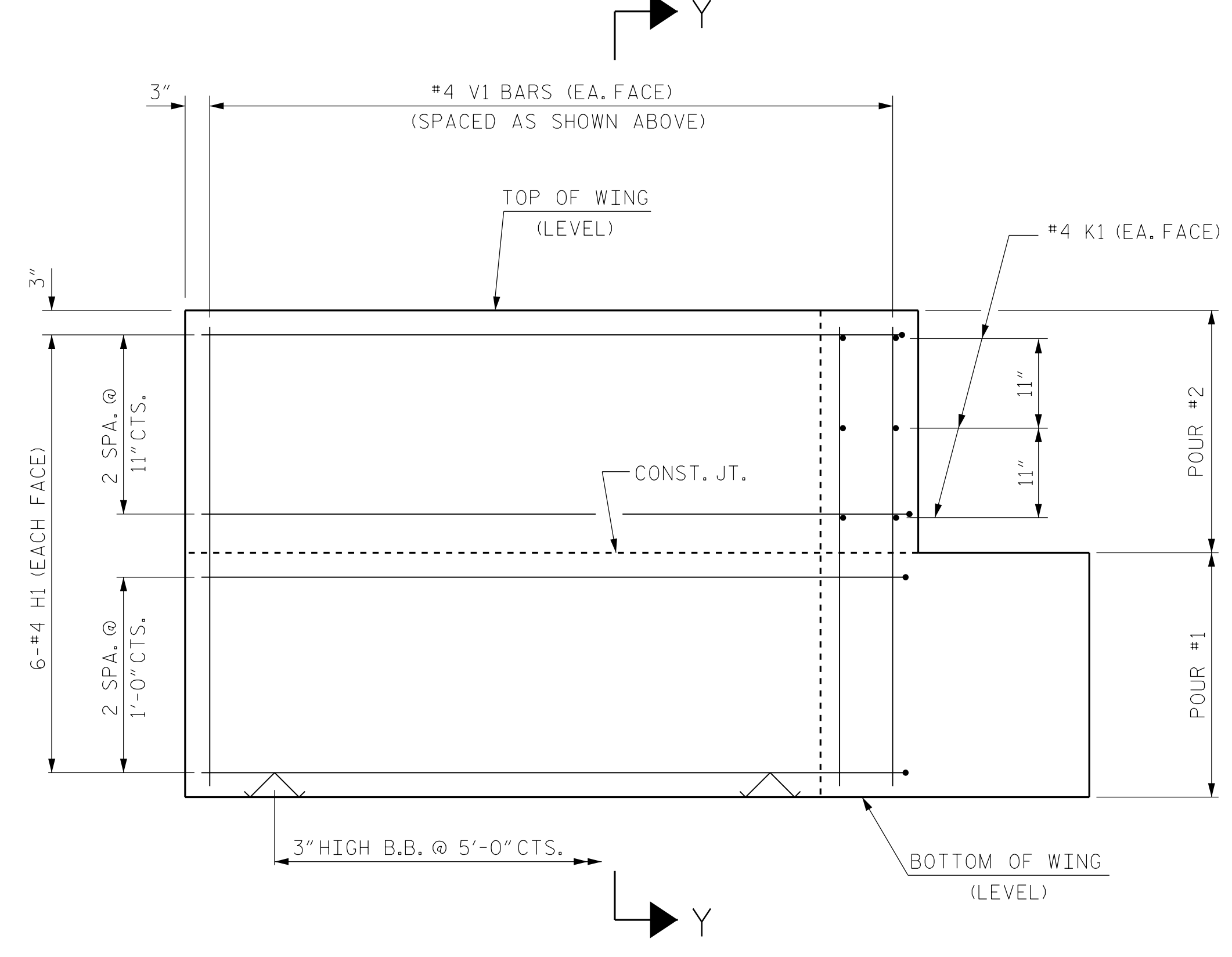
SECTION X-X



SECTION Y-Y



ELEVATION OF WING (W1)



ELEVATION OF WING (W2)

WING DETAILS

DESIGN ENGINEER OF RECORD:	
JACOB H. DUKE	DATE: 01/2020
ASSEMBLED BY: DIEGO A. AGUIRRE	DATE: 01/2020
CHECKED BY: FIDEL L. FLORES	DATE: 01/2020
DRAWN BY: DGE 02/10	REV. 4/15 MAA/TMG
CHECKED BY: MKT 02/10	

2/21/2020
BR-0117.SMU.E03.650052.dgn
jduke

DOCUMENT NOT CONSIDERED
FINAL UNLESS ALL
SIGNATURES COMPLETED

DocuSigned by:
Jacob H. Duke
Professional Engineer
SEAL
043777
ENGINEER
JACOB H. DUKE
2/21/2020

KCA
KISINGER CAMPO & ASSOCIATES
301 FAYETTEVILLE ST., SUITE 1500
RALEIGH, NC 27601 (919) 882-7839
NC FIRM LICENSE: C-1506

PROJECT NO. BR-0117
NORTHAMPTON COUNTY
STATION: 14+26.35 -L-

STATE OF NORTH CAROLINA DEPARTMENT OF TRANSPORTATION RALEIGH					
SUBSTRUCTURE END BENT WING DETAILS					
REVISIONS					
NO.	BY:	DATE:	NO.	BY:	DATE:
1			3		
2			4		
SHEET NO. S-14					TOTAL SHEETS 19