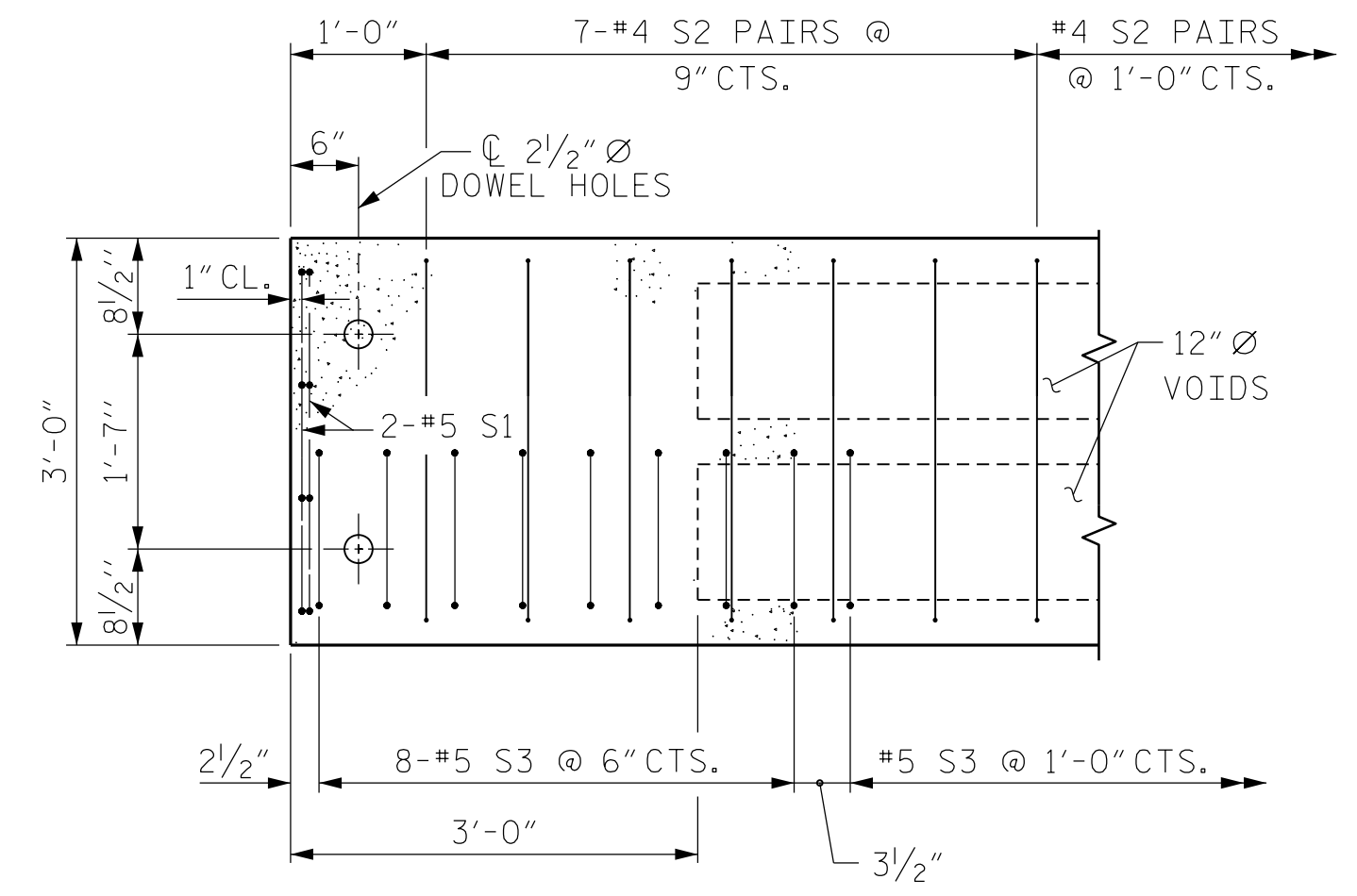


PLAN OF UNIT

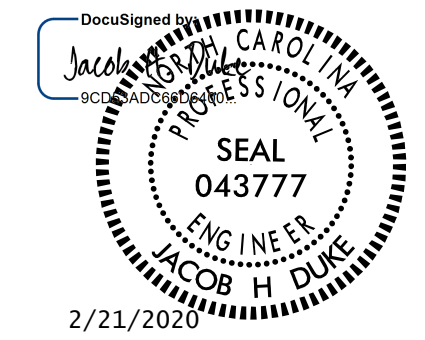


DETAIL "A"

(TYPICAL EACH END OF UNIT)
 NOTE: EXTERIOR UNIT SHOWN - INTERIOR UNIT SIMILAR EXCEPT OMIT #5 S3 BARS.

PROJECT NO. BR-0117
NORTHAMPTON COUNTY
 STATION: 14+26.35 -L-

SHEET 3 OF 6



STATE OF NORTH CAROLINA
 DEPARTMENT OF TRANSPORTATION
 RALEIGH
 PLAN OF 30' UNIT
 27'-10" CLEAR ROADWAY
 90° SKEW
 SPAN "A"

DESIGN ENGINEER OF RECORD:	
JACOB H. DUKE DATE : 01/2020	
ASSEMBLED BY : DIEGO A. AGUIRRE	DATE : 01/2020
CHECKED BY : FIDEL L. FLORES	DATE : 01/2020
DRAWN BY : DGE 3/09	REV. 12/5/11 MAA/AAC
CHECKED BY : BCH 3/09	REV. 8/14 MAA/TMG

DOCUMENT NOT CONSIDERED
 FINAL UNLESS ALL
 SIGNATURES COMPLETED

REVISIONS						SHEET NO.
NO.	BY:	DATE:	NO.	BY:	DATE:	S-7
1			3			TOTAL SHEETS
2			4			19