


**TIP NUMBER: BR-0117**

STATE OF NORTH CAROLINA  
DIVISION OF HIGHWAYS

**PAVEMENT MARKING PLAN  
NORTHAMPTON COUNTY**

**LOCATION: BRIDGE NO. 650052 ON SR 1313 (HARGRAVES RD)  
OVER GUMBERRY SWAMP**

PROJECT REFERENCE NO. <i>BR-0117</i>	SHEET NO. <i>PMP-1</i>
<b>APPROVED:</b> _____	
<b>DATE:</b> _____	
<b>SEAL</b>	
	
2/24/2020 DocuSigned by: <i>John P. Mazeres</i> E96ECAFCD74EE	
<b>DOCUMENT NOT CONSIDERED FINAL UNLESS ALL SIGNATURES COMPLETED</b>	

**ROADWAY STANDARD DRAWINGS**

THE FOLLOWING ROADWAY STANDARDS AS SHOWN IN "ROADWAY STANDARD DRAWINGS" - PROJECT SERVICES UNIT - N.C. DEPARTMENT OF TRANSPORTATION - RALEIGH, N.C., DATED JANUARY 2018 ARE APPLICABLE TO THIS PROJECT AND BY REFERENCE HEREBY ARE CONSIDERED A PART OF THESE PLANS:

STD. NO.	TITLE
1205.01	PAVEMENT MARKINGS - LINE TYPES AND OFFSETS
1205.02	PAVEMENT MARKINGS - TWO-LANE AND MULTI-LANE ROADWAYS
1205.12	PAVEMENT MARKINGS - BRIDGES
1261.01	GUARDRAIL AND BARRIER DELINEATOR SPACING
1261.02	GUARDRAIL AND BARRIER DELINEATOR TYPES
1262.01	GUARDRAIL END DELINEATION

**GENERAL NOTES**

THE FOLLOWING GENERAL NOTES APPLY AT ALL TIMES FOR THE DURATION OF THE CONSTRUCTION PROJECT EXCEPT WHEN OTHERWISE NOTED IN THE PLAN OR DIRECTED BY THE ENGINEER.

**PAVEMENT MARKINGS AND MARKERS**

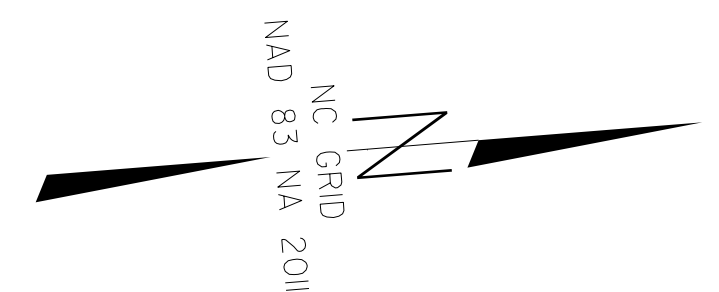
- A) INSTALL PERMANENT PAVEMENT MARKINGS AND PERMANENT RAISED MARKERS ON LAYERS OF PAVEMENT AS FOLLOWS:
 

ROAD NAME	MARKING	MARKER
SR 1313 (HARGRAVES RD)	THERMOPLASTIC	NONE
- B) TIE PROPOSED PAVEMENT MARKINGS LINES TO EXISTING PAVMENT MARKING LINES.
- C) REMOVE/REPLACE ANY CONFLICTING/DAMAGED PAVEMENT MARKINGS AND MARKERS.
- D) FOR EXTRUDED THERMOPLASTIC PAVEMENT MARKINGS THICKNESS, SEE SPECIAL PROVISIONS.

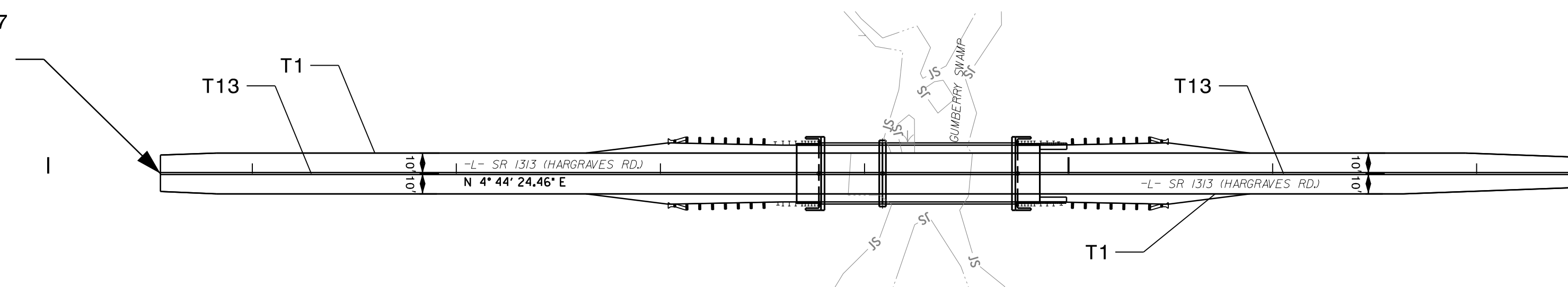
**PAVEMENT MARKING SCHEDULE**

SYMBOL	DESCRIPTION
T1	WHITE EDGELINE (4", 90 MIL)
T13	YELLOW DOUBLE CENTER (4", 90 MIL)

**PAVEMENT MARKING DETAIL**



BEGIN TIP PROJECT BR-0117  
-L- STA. 10+55.00  
TIE TO EXISTING  
MARKINGS



END TIP PROJECT BR-0117  
-L- STA. 17+55.00  
TIE TO EXISTING  
MARKINGS



**KCA** NC FIRM LICENSE No: C-1506  
KISINGER CAMPO & ASSOCIATES 301 Fayetteville St., Suite 1500 Raleigh, NC 27601 (919)882-7839

JOHN P. MAZERES, PE PROJECT ENGINEER  
ALLEN McSWAIN PROJECT DESIGNER

