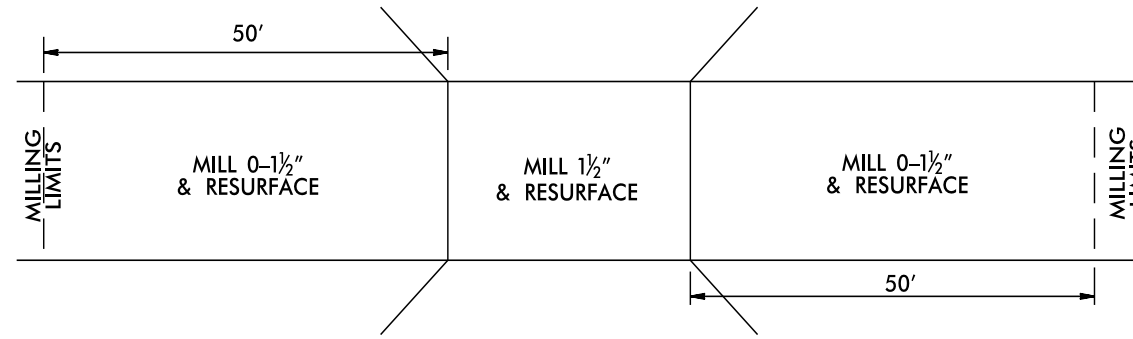


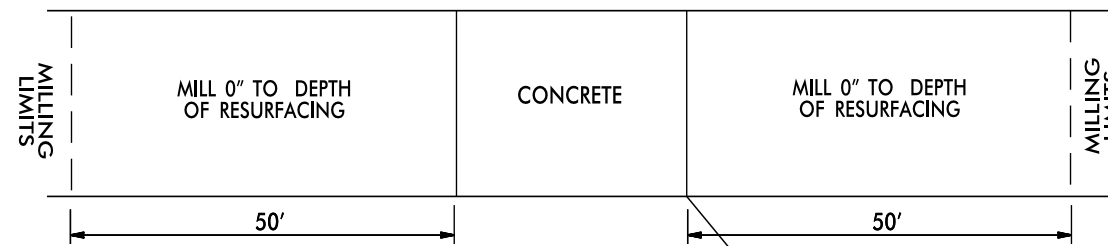
PROJECT NO.	SHEET NO.	TOTAL SHEETS
2021CPT.04.06.10511, 2021CPT.04.06.20511.	10	

PAVEMENT TIE-IN DETAIL



**DRAWING FOR BRIDGE #39
USE FOR MAP #17**

* MILLING SHALL BE PAID FOR UNDER INCIDENTAL MILLING



**DRAWING FOR BRIDGE #495 #472 #599
USE FOR MAP #3 #17 #20**

* MILLING SHALL BE PAID FOR UNDER INCIDENTAL MILLING