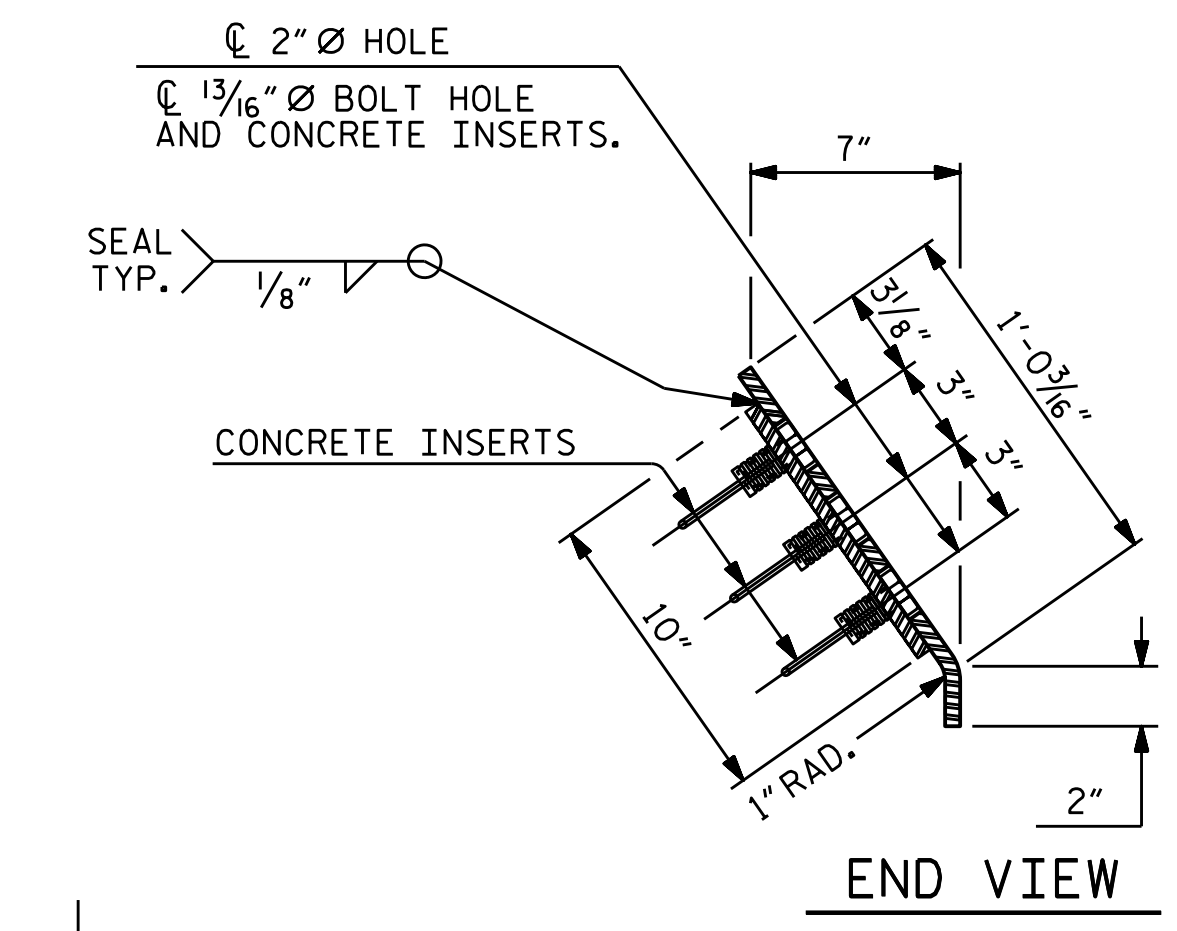
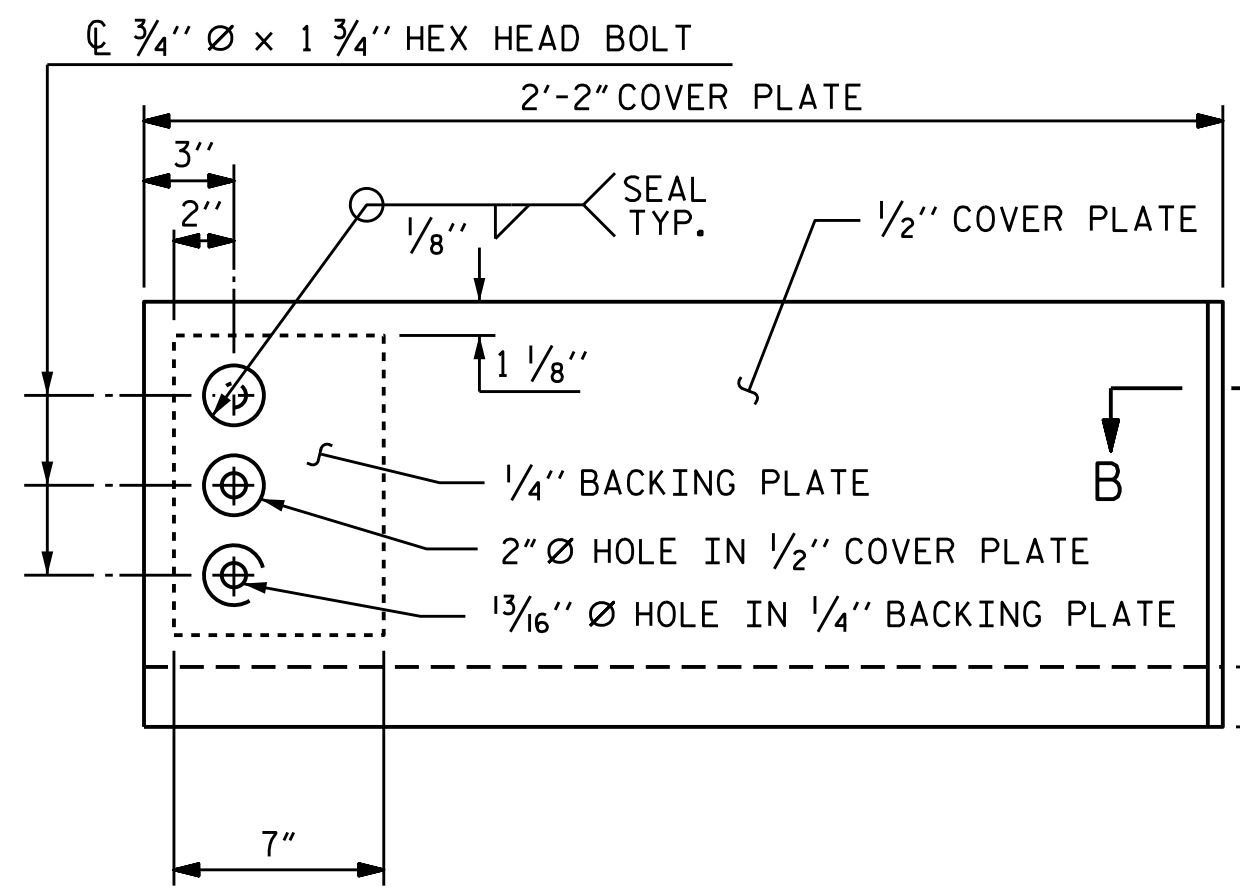


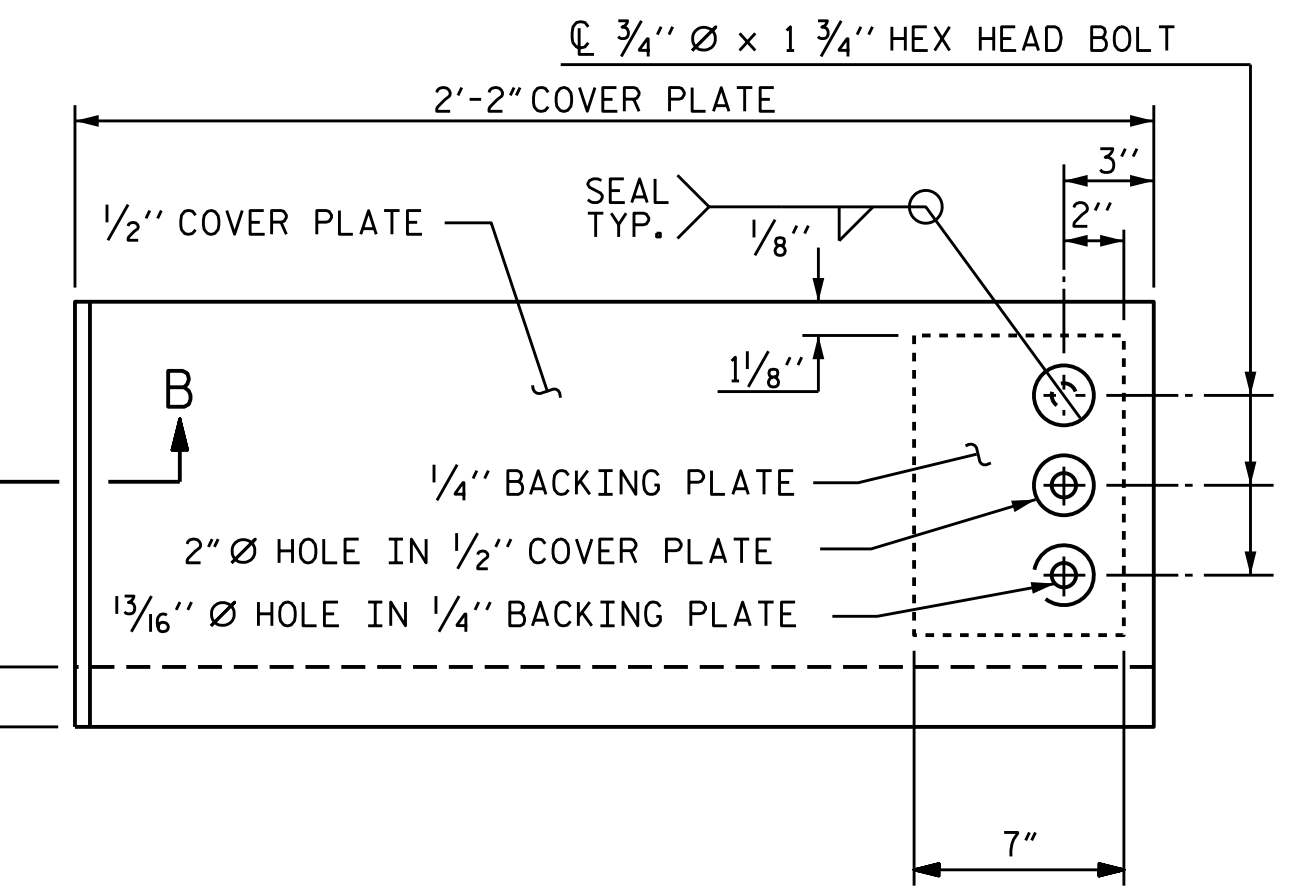
SECTION THRU RAIL NORMAL TO JOINT



END VIEW

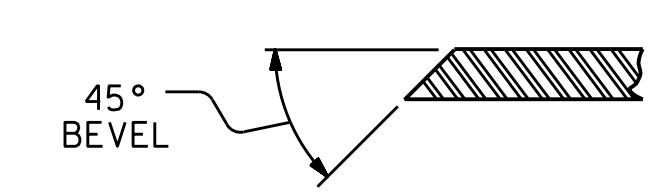


TYPE I - ELEVATION VIEW

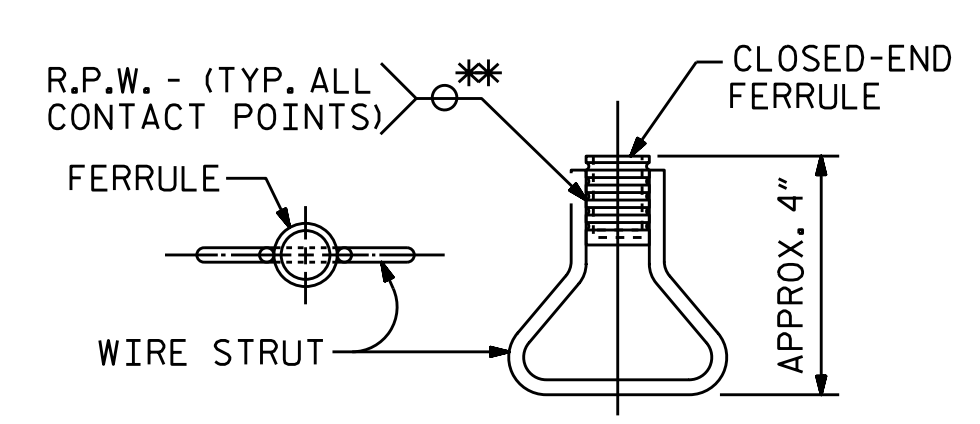


TYPE II - ELEVATION VIEW

COVER PLATE DETAILS

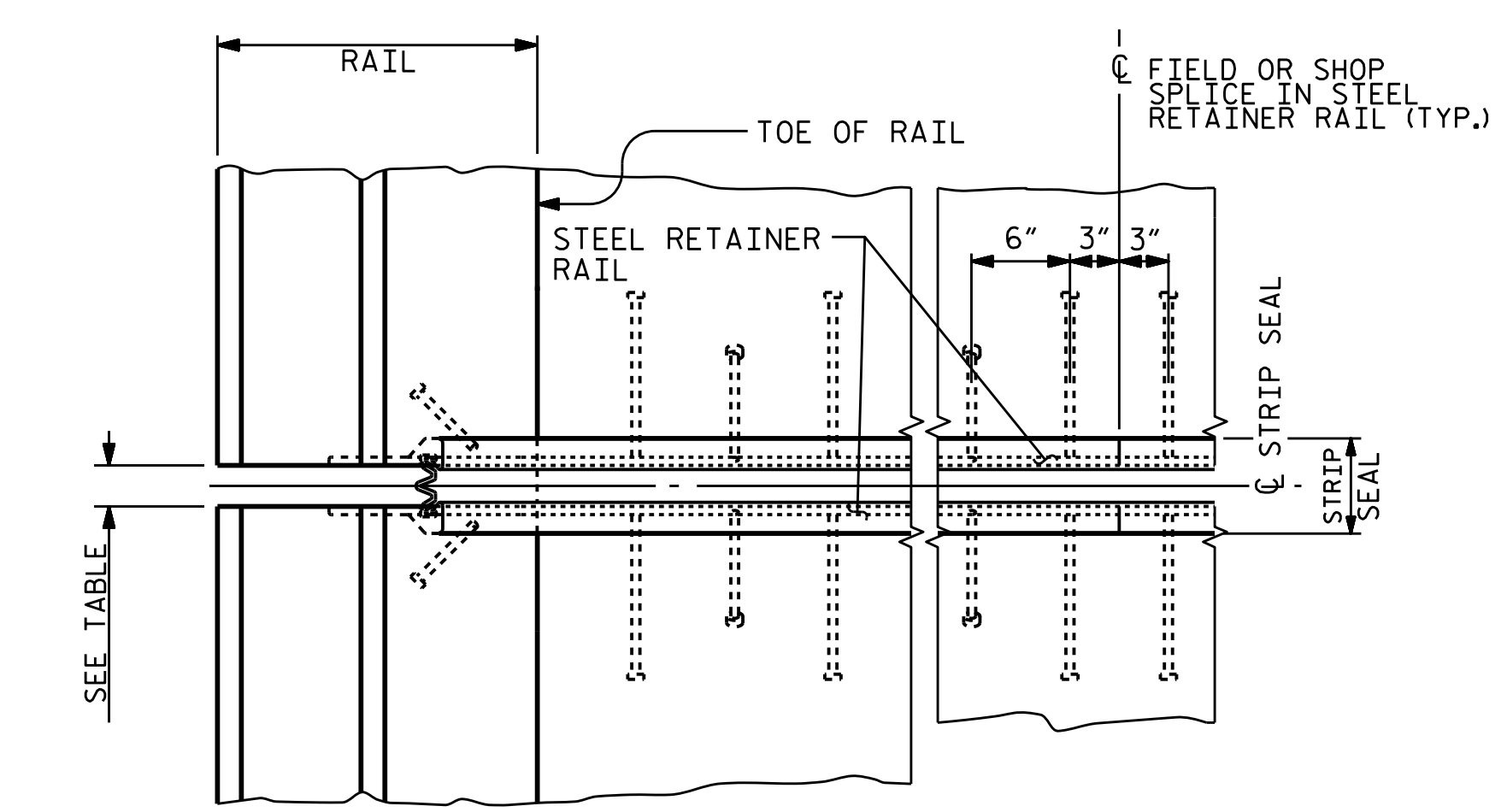


SECTION B - B

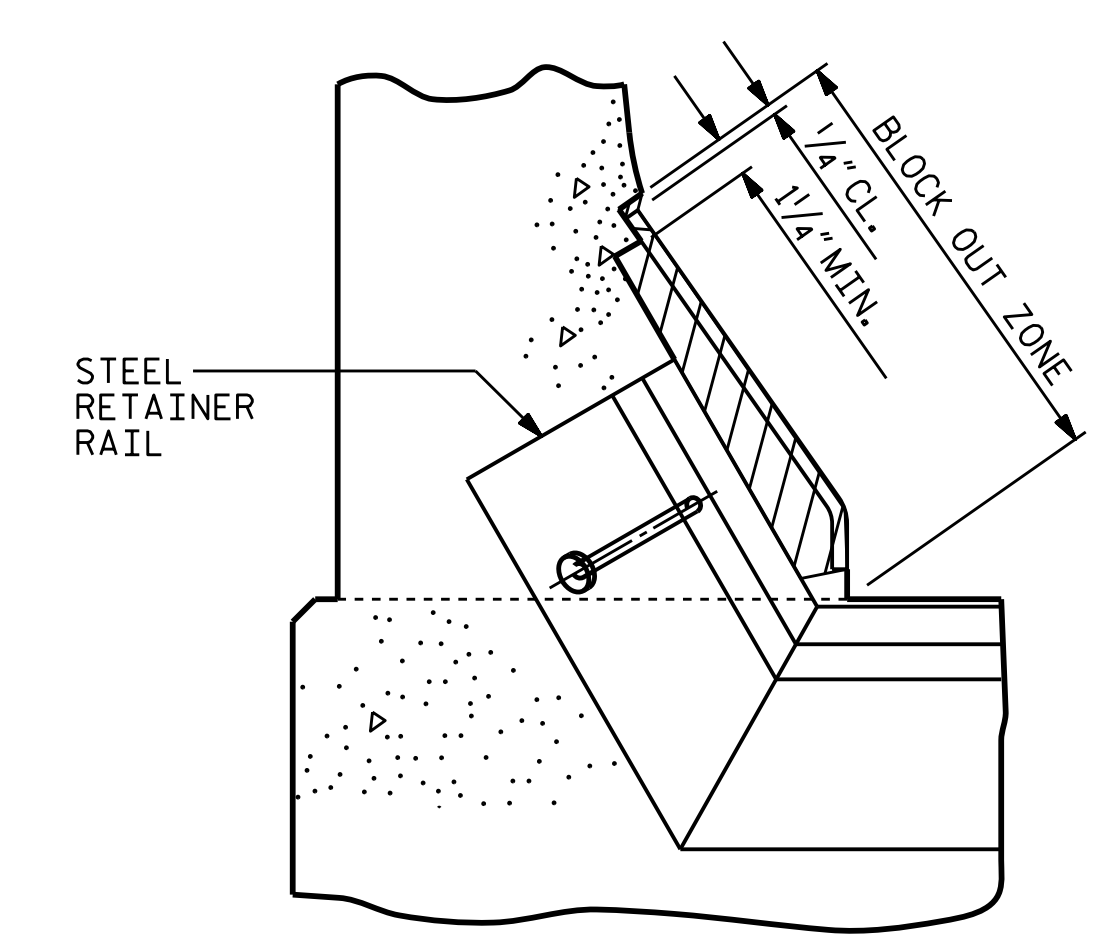


CONCRETE INSERT

* EACH WELDED ATTACHMENT OF WIRE TO FERRULE SHALL DEVELOP THE TENSILE STRENGTH OF THE WIRE.



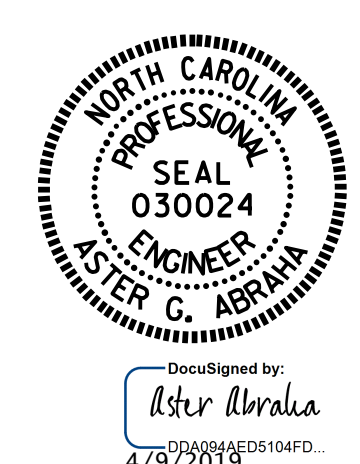
PLAN OF STRIP SEAL EXPANSION JOINT



BLOCK OUT DETAIL

PROJECT NO. 15BPR.17
 HALIFAX COUNTY
 BRIDGE NO. 410063

SHEET 2 OF 2



STATE OF NORTH CAROLINA
 DEPARTMENT OF TRANSPORTATION
 RALEIGH
 STANDARD
 STRIP SEAL EXPANSION
 JOINT DETAILS
 FOR BARRIER RAIL

ASSEMBLED BY :	S.T. SANDOR	DATE :	10/18
CHECKED BY :	A. G. ABRAHA, P.E.	DATE :	10/18
DRAWN BY :	MAA	6/17	
CHECKED BY :	BNB	6/17	

DOCUMENT NOT CONSIDERED FINAL UNLESS ALL SIGNATURES COMPLETED

REVISIONS						SHEET NO.
NO.	BY:	DATE:	NO.	BY:	DATE:	S-14
1			3			TOTAL SHEETS
2			4			21