

NOTES

FOR BRIDGE APPROACH FILL INCLUDING GEOTEXTILE, 4" Ø DRAINAGE PIPE, AND SELECT MATERIAL BACKFILL, SEE ROADWAY PLANS.

GEOTEXTILE SHALL BE TYPE 1 IN ACCORDANCE WITH THE STANDARD SPECIFICATIONS SECTION 1056.

SELECT MATERIAL BACKFILL (CLASS V OR CLASS VI) SHALL BE IN ACCORDANCE WITH STANDARD SPECIFICATIONS SECTION 1016.

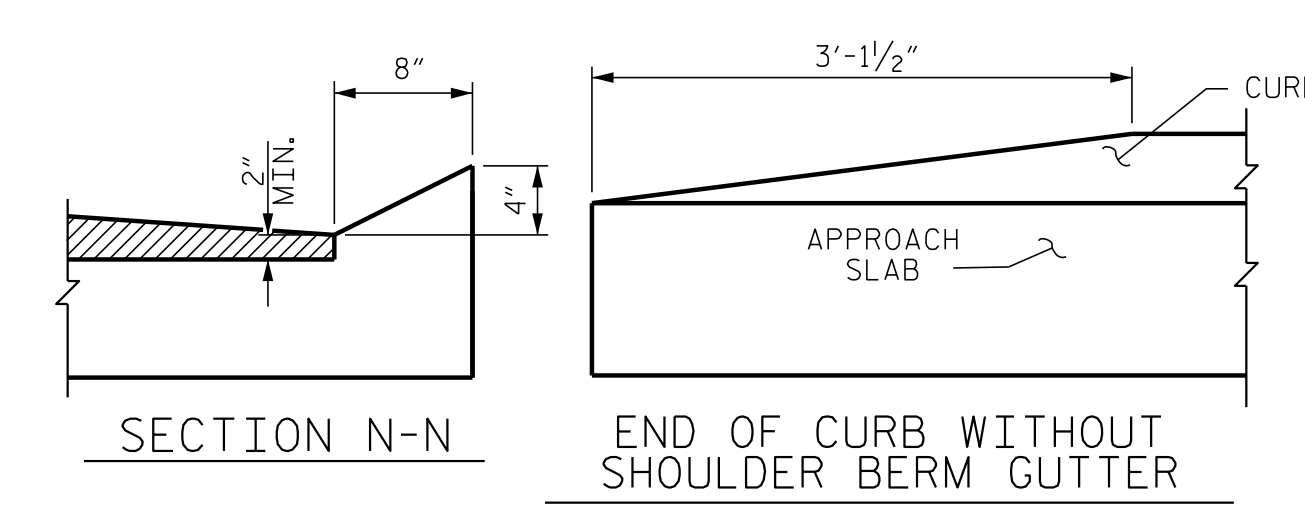
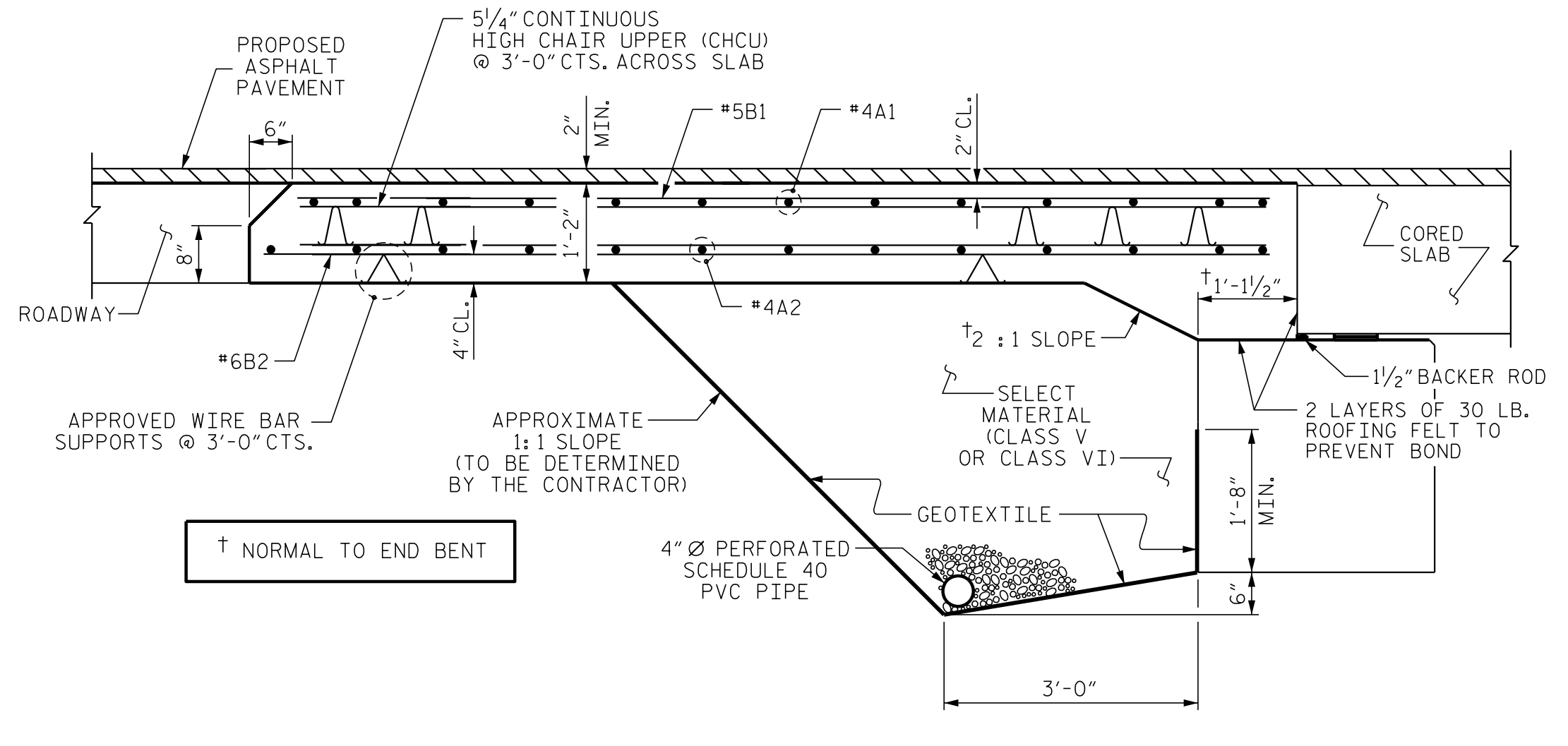
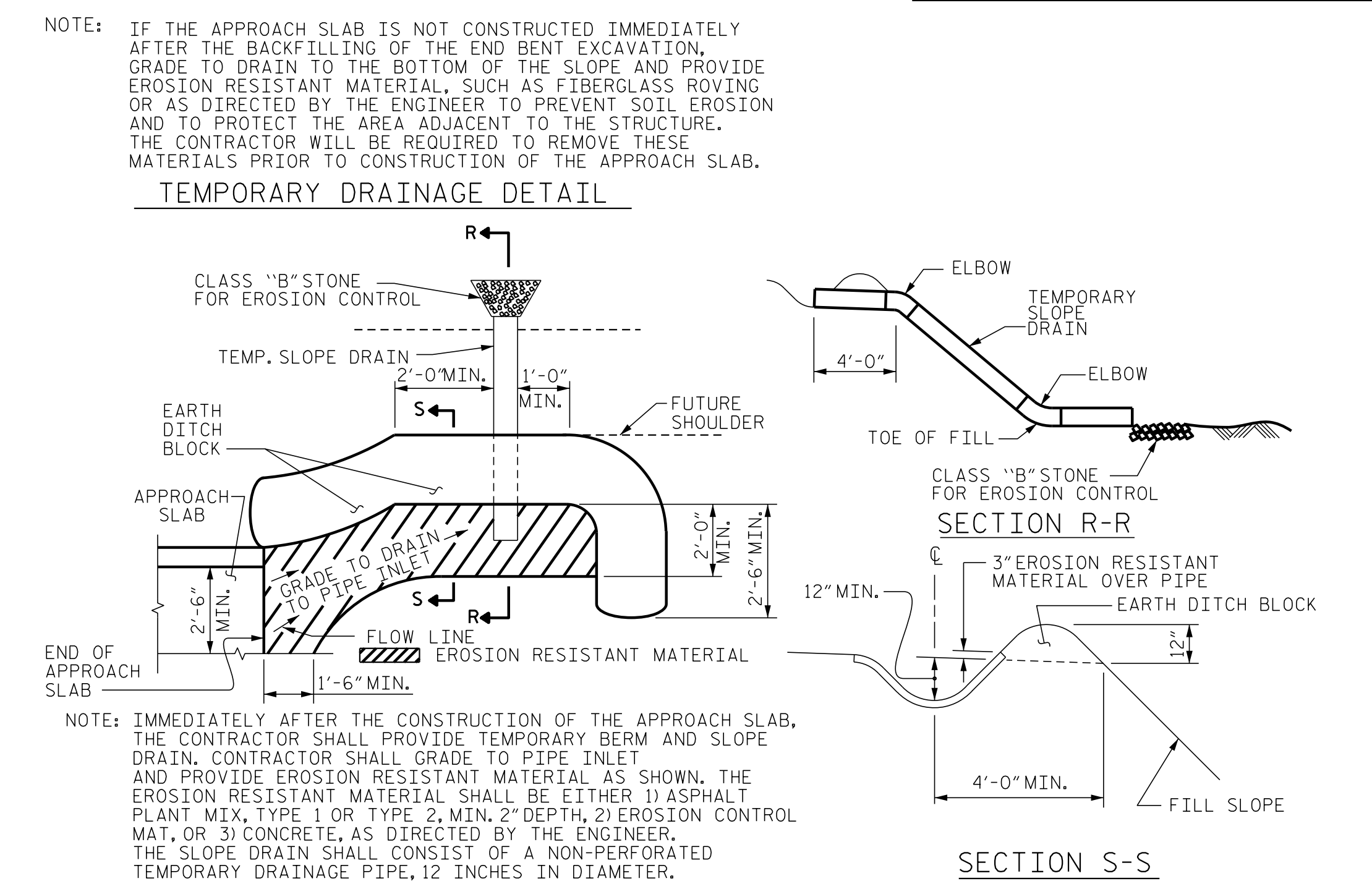
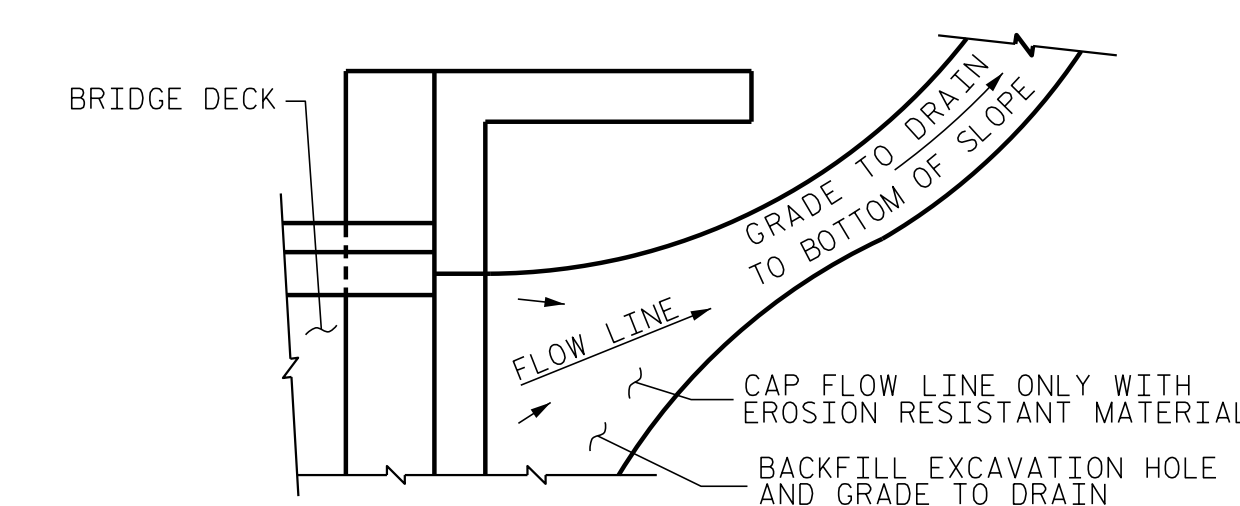
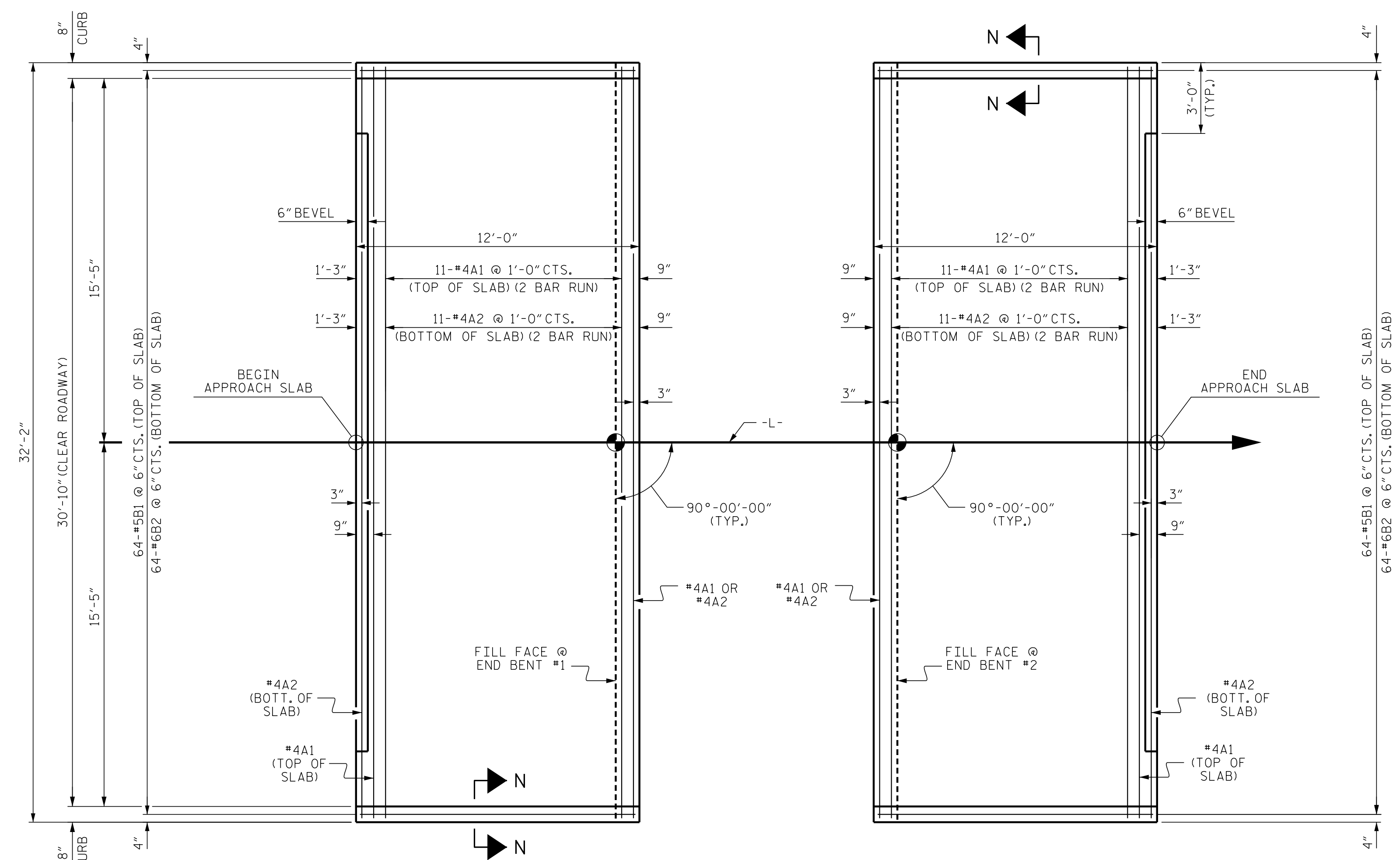
SELECT MATERIAL BACKFILL IS TO BE CONTINUOUS ALONG FILL FACE OF BACKWALL FROM OUTSIDE EDGE TO OUTSIDE EDGE OF APPROACH SLAB.

FOR THE 4" Ø DRAINAGE PIPE OUTLET(S), SEE ROADWAY STANDARD DRAWINGS.

AREA BETWEEN THE WINGWALL AND APPROACH SLAB SHALL BE GRADED TO DRAIN THE WATER AWAY FROM THE FILL FACE OF THE BRIDGE AND SHALL BE PAVED. SEE ROADWAY PLANS.

APPROACH SLAB GROOVING IS NOT REQUIRED.

BILL OF MATERIAL						
APPROACH SLAB AT EB #1						
BAR	NO.	SIZE	TYPE	LENGTH	WEIGHT	
*A1	26	#4	STR	16'-11"	294	
A2	26	#4	STR	16'-9"	291	
*B1	64	#5	STR	11'-2"	745	
B2	64	#6	STR	11'-8"	1121	
REINFORCING STEEL					LBS.	1412
* EPOXY COATED REINFORCING STEEL					LBS.	1039
CLASS AA CONCRETE					C. Y.	18.4
APPROACH SLAB AT EB #2						
BAR	NO.	SIZE	TYPE	LENGTH	WEIGHT	
*A1	26	#4	STR	16'-11"	294	
A2	26	#4	STR	16'-9"	291	
*B1	64	#5	STR	11'-2"	745	
B2	64	#6	STR	11'-8"	1121	
REINFORCING STEEL					LBS.	1412
* EPOXY COATED REINFORCING STEEL					LBS.	1039
CLASS AA CONCRETE					C. Y.	18.4



SPlice LENGTHS		
BAR SIZE	EPOXY COATED	UNCOATED
#4	2'-0"	1'-9"
#5	2'-6"	2'-2"
#6	3'-10"	2'-7"

PROJECT NO. BR-0111  
 EDGEcombe COUNTY  
 STATION: 35+90.50 -L-

ENGINEER OF RECORD  
 2/20/2020  
 NORTH CAROLINA PROFESSIONAL ENGINEER  
 SEAL 22072  
 JOHN ARTHUR DILLON  
 J. Arthur Dillworth  
 ETHERILL ENGINEERING  
 1223 Jones Franklin Rd.  
 Raleigh, N.C. 27606  
 Bus: 919 851 8077  
 Fax: 919 851 8107  
 LICENSE NO. F-0377

STATE OF NORTH CAROLINA  
 DEPARTMENT OF TRANSPORTATION  
 RALEIGH  
 STANDARD BRIDGE APPROACH SLAB FOR PRESTRESSED CONCRETE CORED SLAB UNIT (SUB-REGIONAL TIER) 90° SKEW

REVISIONS					
NO.	BY:	DATE:	NO.	BY:	DATE:
1			3		
2			4		

SHEET NO. S03-17  
 TOTAL SHEETS 17

ASSEMBLED BY : J. PENDERGRAFT DATE : 6-19  
 CHECKED BY : J. DILWORTH DATE : 8-19  
 DRAWN BY : SHS/MAA 5-09  
 CHECKED BY : BCH 5-09  
 REV. 12-17 MAA/THC

DOCUMENT NOT CONSIDERED FINAL UNLESS ALL SIGNATURES COMPLETED

STD. NO. BAS\_33\_90S

P:\2019\1910401 BR-0111\Structures\DNBR\IDG 3\BR0111\_BR#3\_STR\_AS.dgn  
 12/19/2019 3:05:32 PM