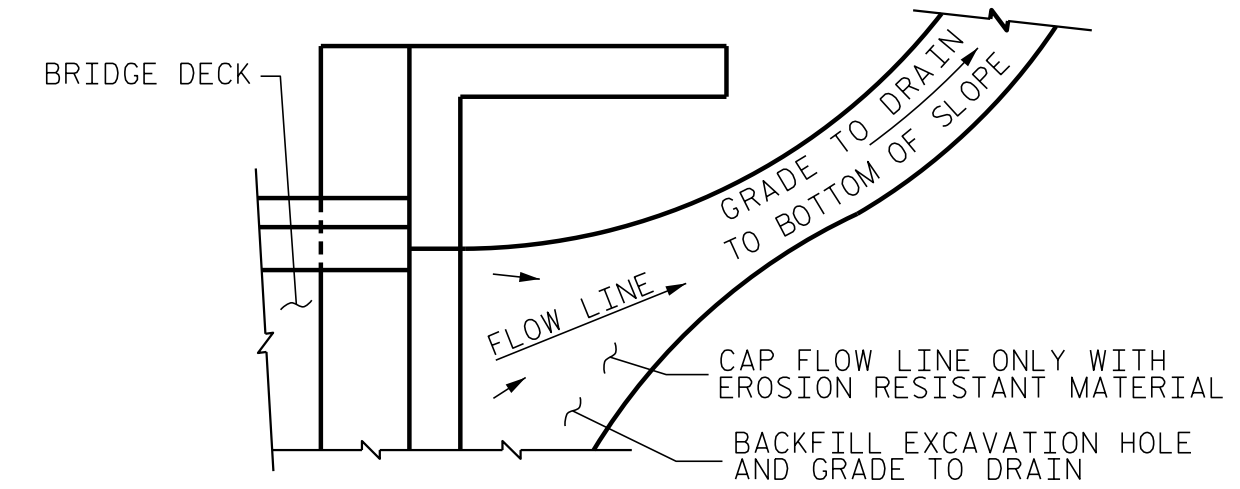


PLAN @ END BENT #1 PLAN @ END BENT #2

DIMENSIONS SHOWN ARE TYPICAL FOR BOTH APPROACH SLABS

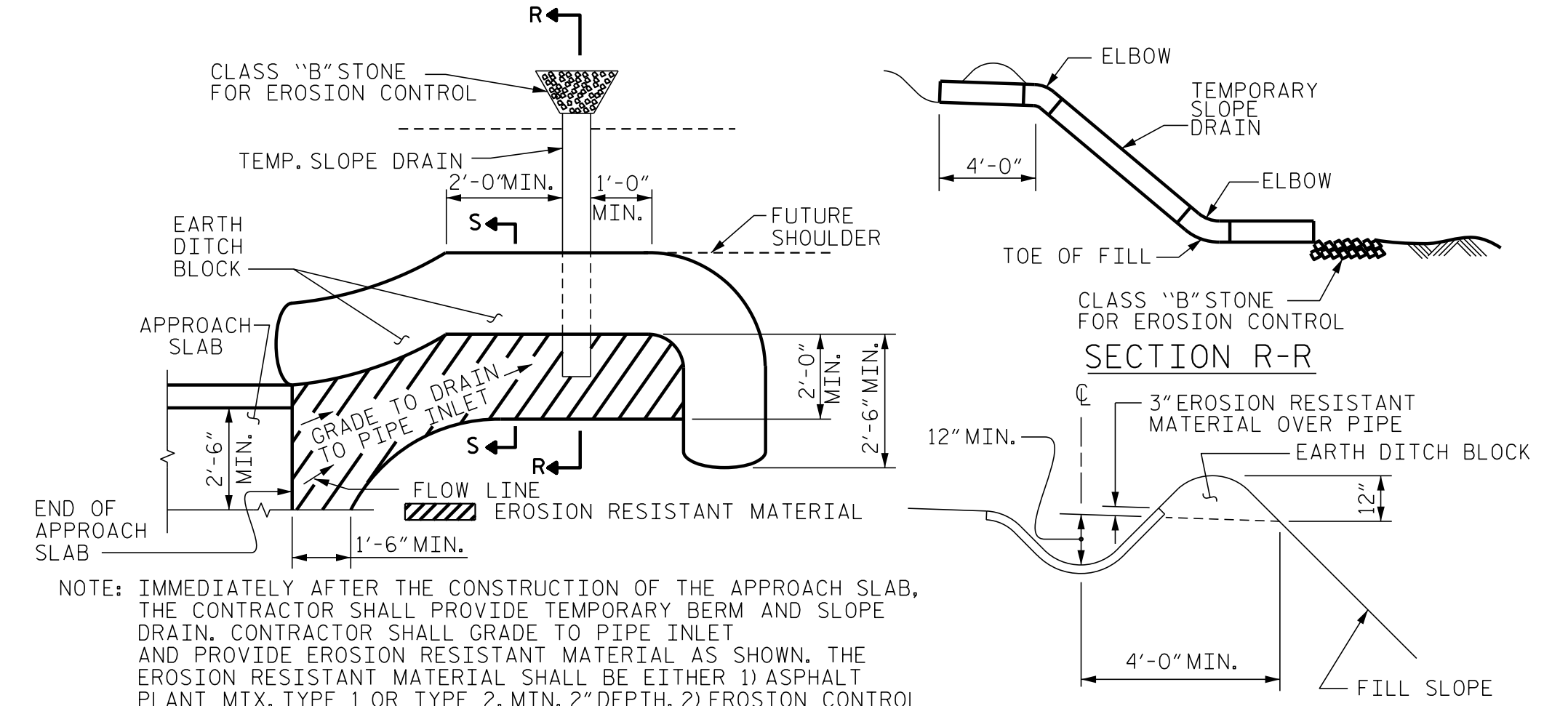
NOTES

FOR BRIDGE APPROACH FILL INCLUDING GEOTEXTILE, 4" Ø DRAINAGE PIPE, AND SELECT MATERIAL BACKFILL, SEE ROADWAY PLANS.
 GEOTEXTILE SHALL BE TYPE 1 IN ACCORDANCE WITH THE STANDARD SPECIFICATIONS SECTION 1056.
 SELECT MATERIAL BACKFILL (CLASS V OR CLASS VI) SHALL BE IN ACCORDANCE WITH STANDARD SPECIFICATIONS SECTION 1016.
 SELECT MATERIAL BACKFILL IS TO BE CONTINUOUS ALONG FILL FACE OF BACKWALL FROM OUTSIDE EDGE TO OUTSIDE EDGE OF APPROACH SLAB.
 FOR THE 4" Ø DRAINAGE PIPE OUTLET(S), SEE ROADWAY STANDARD DRAWINGS.
 AREA BETWEEN THE WINGWALL AND APPROACH SLAB SHALL BE GRADED TO DRAIN THE WATER AWAY FROM THE FILL FACE OF THE BRIDGE AND SHALL BE PAVED. SEE ROADWAY PLANS.
 APPROACH SLAB GROOVING IS NOT REQUIRED.



NOTE: IF THE APPROACH SLAB IS NOT CONSTRUCTED IMMEDIATELY AFTER THE BACKFILLING OF THE END BENT EXCAVATION, GRADE TO DRAIN TO THE BOTTOM OF THE SLOPE AND PROVIDE EROSION RESISTANT MATERIAL, SUCH AS FIBERGLASS ROVING OR AS DIRECTED BY THE ENGINEER TO PREVENT SOIL EROSION AND TO PROTECT THE AREA ADJACENT TO THE STRUCTURE. THE CONTRACTOR WILL BE REQUIRED TO REMOVE THESE MATERIALS PRIOR TO CONSTRUCTION OF THE APPROACH SLAB.

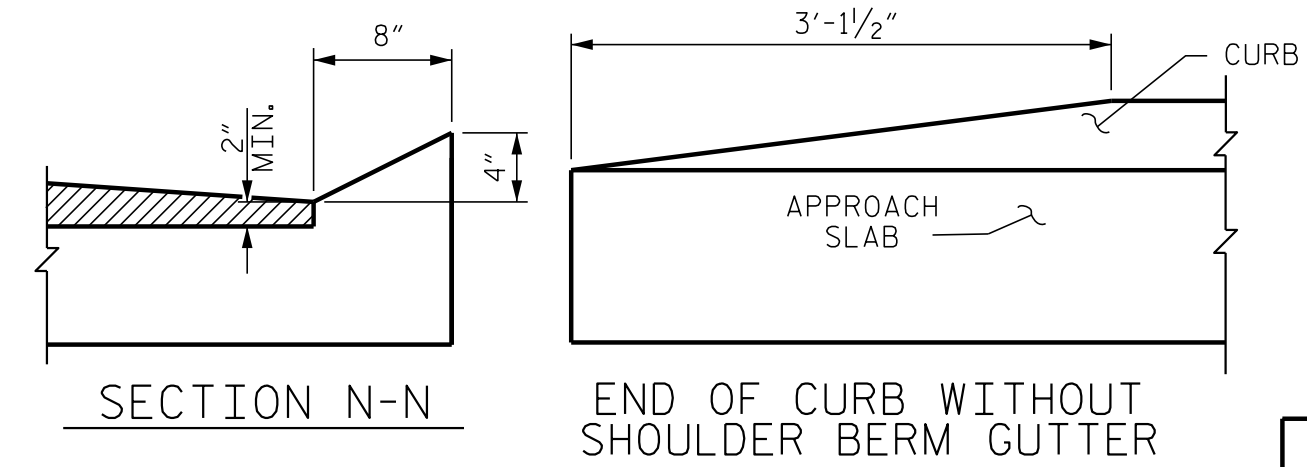
TEMPORARY DRAINAGE DETAIL



NOTE: IMMEDIATELY AFTER THE CONSTRUCTION OF THE APPROACH SLAB, THE CONTRACTOR SHALL PROVIDE TEMPORARY BERM AND SLOPE DRAIN. CONTRACTOR SHALL GRADE TO PIPE INLET AND PROVIDE EROSION RESISTANT MATERIAL AS SHOWN. THE EROSION RESISTANT MATERIAL SHALL BE EITHER 1) ASPHALT PLANT MIX, TYPE 1 OR TYPE 2, MIN. 2" DEPTH, 2) EROSION CONTROL MAT, OR 3) CONCRETE, AS DIRECTED BY THE ENGINEER. THE SLOPE DRAIN SHALL CONSIST OF A NON-PERFORATED TEMPORARY DRAINAGE PIPE, 12 INCHES IN DIAMETER.

TEMPORARY BERM AND SLOPE DRAIN DETAILS

(TO BE USED WHEN SHOULDER BERM GUTTER IS REQUIRED)

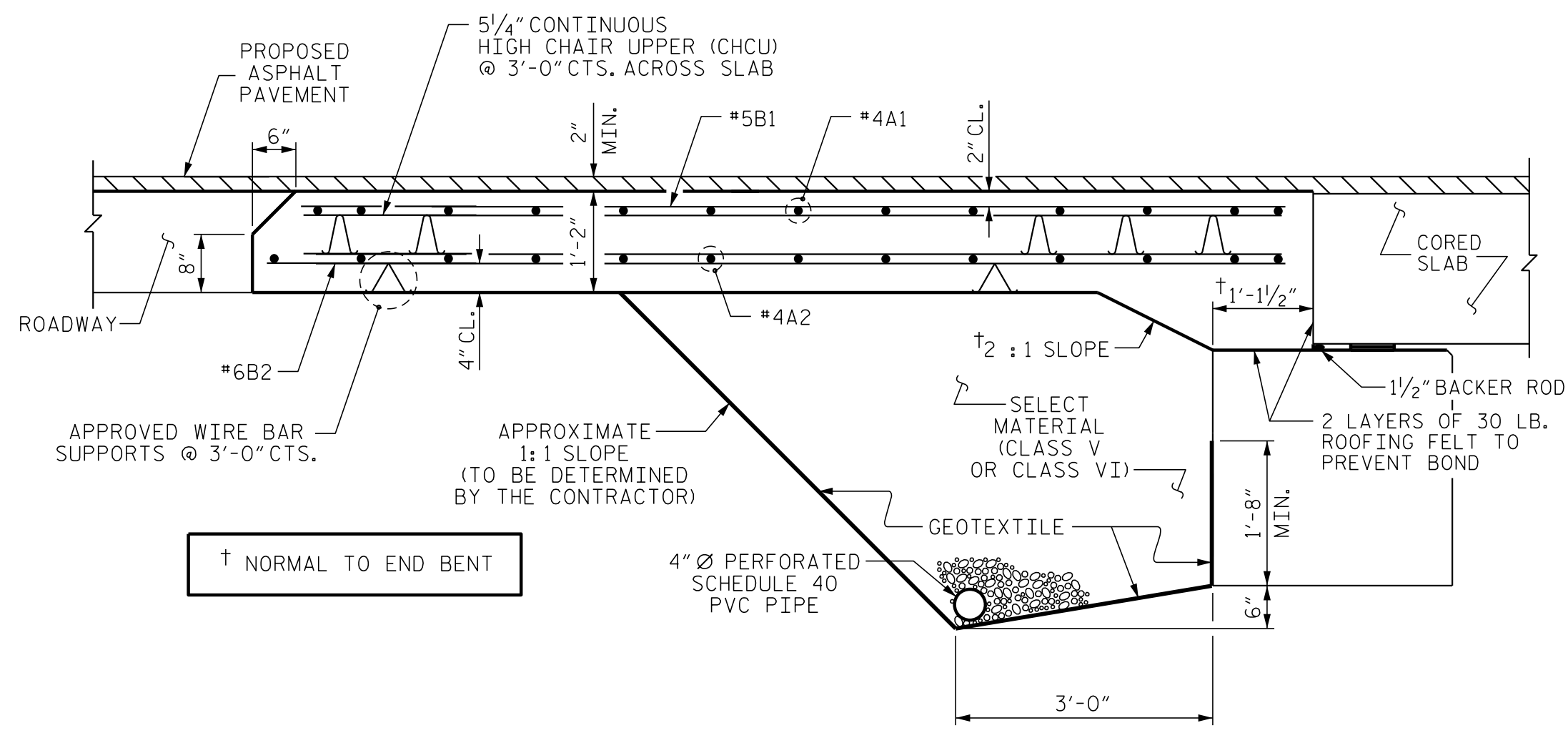


CURB DETAILS

SPlice LENGTHS		
BAR SIZE	EPOXY COATED	UNCOATED
#4	2'-0"	1'-9"
#5	2'-6"	2'-2"
#6	3'-10"	2'-7"

DOCUMENT NOT CONSIDERED FINAL UNLESS ALL SIGNATURES COMPLETED

BILL OF MATERIAL						
APPROACH SLAB AT EB #1						
BAR	NO.	SIZE	TYPE	LENGTH	WEIGHT	
*A1	26	#4	STR	16'-11"	294	
A2	26	#4	STR	16'-9"	291	
*B1	64	#5	STR	11'-2"	745	
B2	64	#6	STR	11'-8"	1121	
REINFORCING STEEL					LBS.	1412
* EPOXY COATED REINFORCING STEEL					LBS.	1039
CLASS AA CONCRETE					C. Y.	18.4
APPROACH SLAB AT EB #2						
BAR	NO.	SIZE	TYPE	LENGTH	WEIGHT	
*A1	26	#4	STR	16'-11"	294	
A2	26	#4	STR	16'-9"	291	
*B1	64	#5	STR	11'-2"	745	
B2	64	#6	STR	11'-8"	1121	
REINFORCING STEEL					LBS.	1412
* EPOXY COATED REINFORCING STEEL					LBS.	1039
CLASS AA CONCRETE					C. Y.	18.4



SECTION THRU SLAB

(TYPE II - MODIFIED APPROACH FILL)

ASSEMBLED BY : J. PENDERGRAFT DATE : 6-19
 CHECKED BY : J. DILWORTH DATE : 8-19
 DRAWN BY : SHS/MAA 5-09
 CHECKED BY : BCH 5-09

REV. 12-17 MAA/THC

ENGINEER OF RECORD
 2/20/2020

 JOHN ARTHUR DILWORTH
 ENGINEER
 WETHERILL ENGINEERING
 1223 Jones Franklin Rd.
 Raleigh, N.C. 27606
 Bus: 919 851 8077
 Fax: 919 851 8107
 LICENSE NO. F-0377

STATE OF NORTH CAROLINA
 DEPARTMENT OF TRANSPORTATION
 RALEIGH
 STANDARD
 BRIDGE APPROACH SLAB
 FOR PRESTRESSED CONCRETE
 CORED SLAB UNIT
 (SUB-REGIONAL TIER)
 90° SKEW

REVISIONS					
NO.	BY:	DATE:	NO.	BY:	DATE:
1			3		
2			4		

SHEET NO. S02-17
 TOTAL SHEETS 17

STD. NO. BAS.33.90S

P:\2019\1910401 BR-0111\Structures\DNBR\IDG6 4BR0111_BR #4_STR_AS.dgn
 12/19/2019 11:05:50 AM