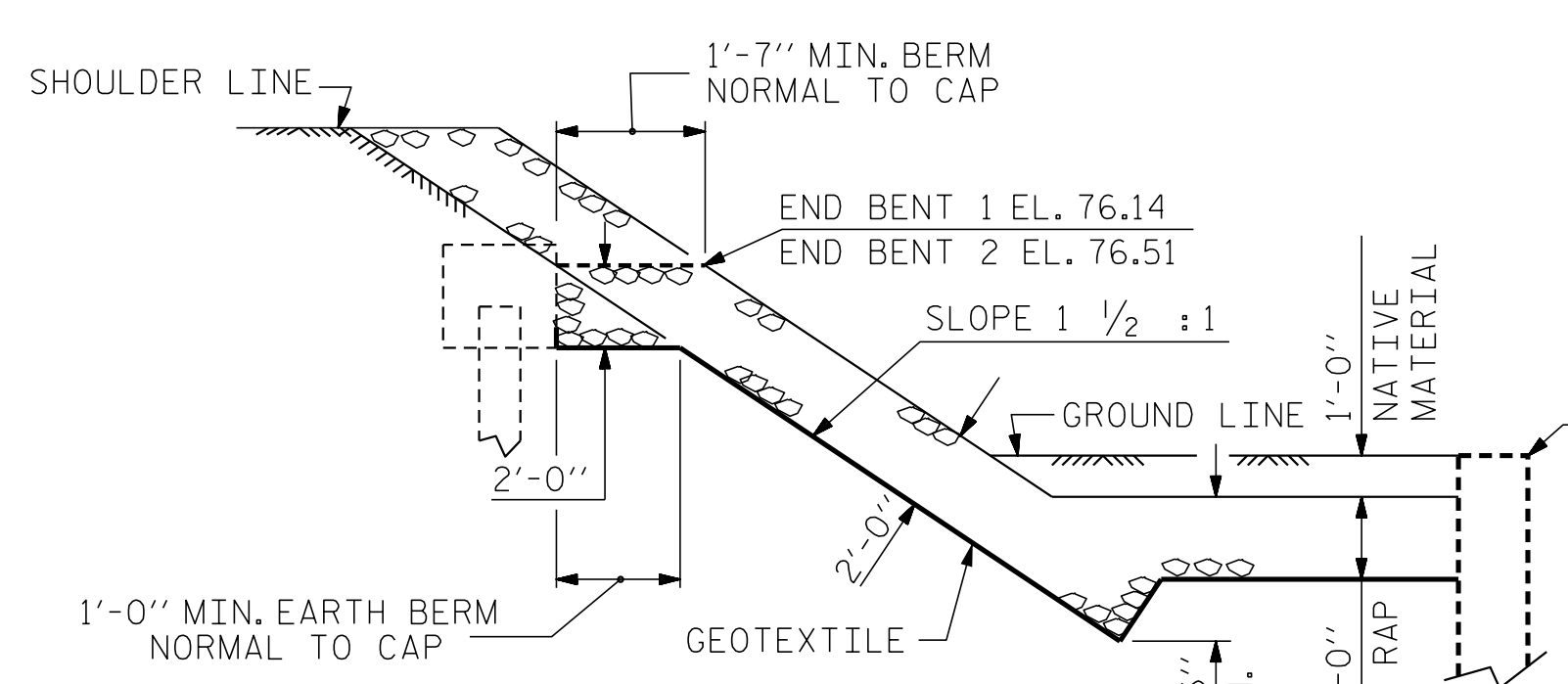


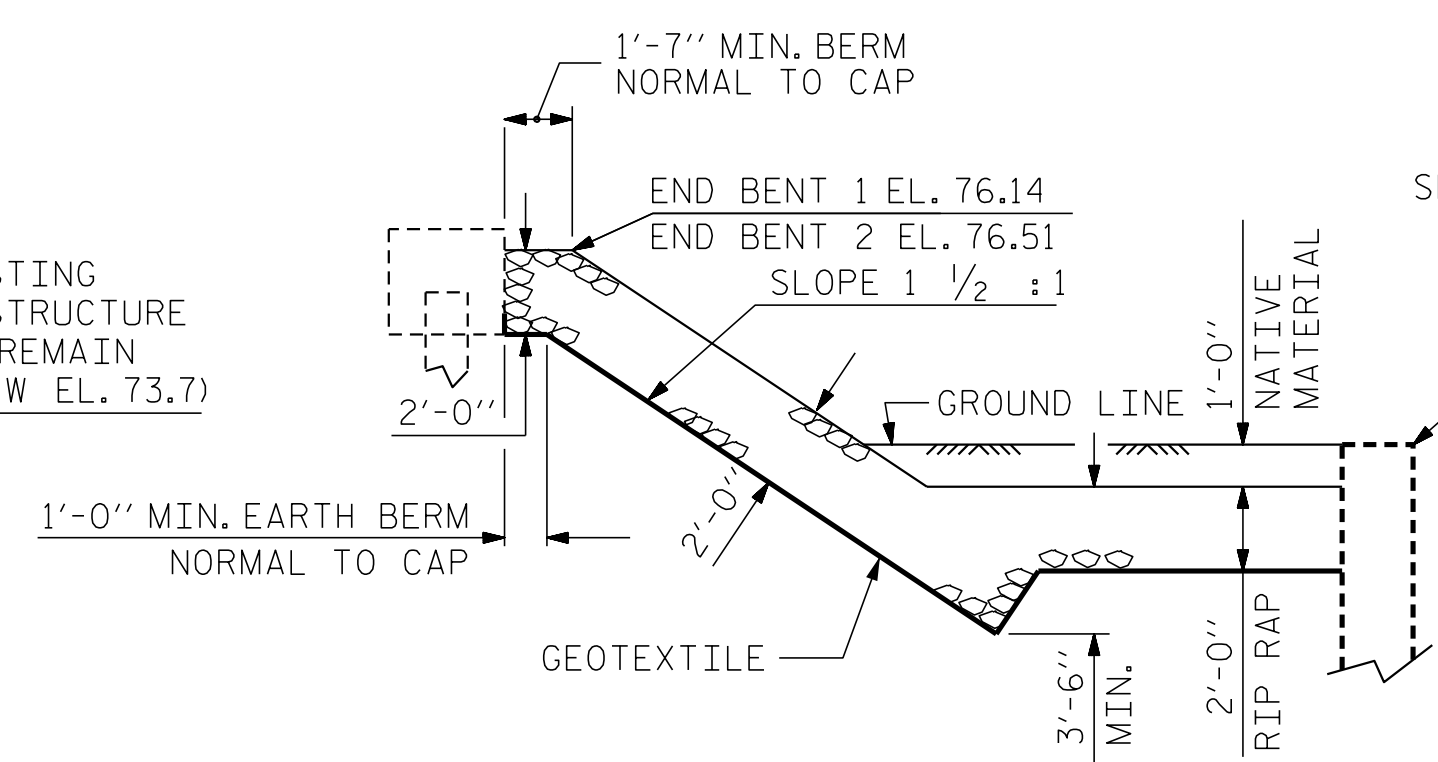
CUT OFF EXIST. ABUTMENT AT EL. 73.7

NOTE:
 THE BACKFILL MATERIAL SHALL BE FROM THE MATERIAL EXCAVATED AS "UNCLASSIFIED STRUCTURE EXCAVATION". THE COST OF PLACING THE BACKFILL MATERIAL SHALL BE INCLUDED IN THE PAY ITEM FOR "RIP RAP, CLASS II".

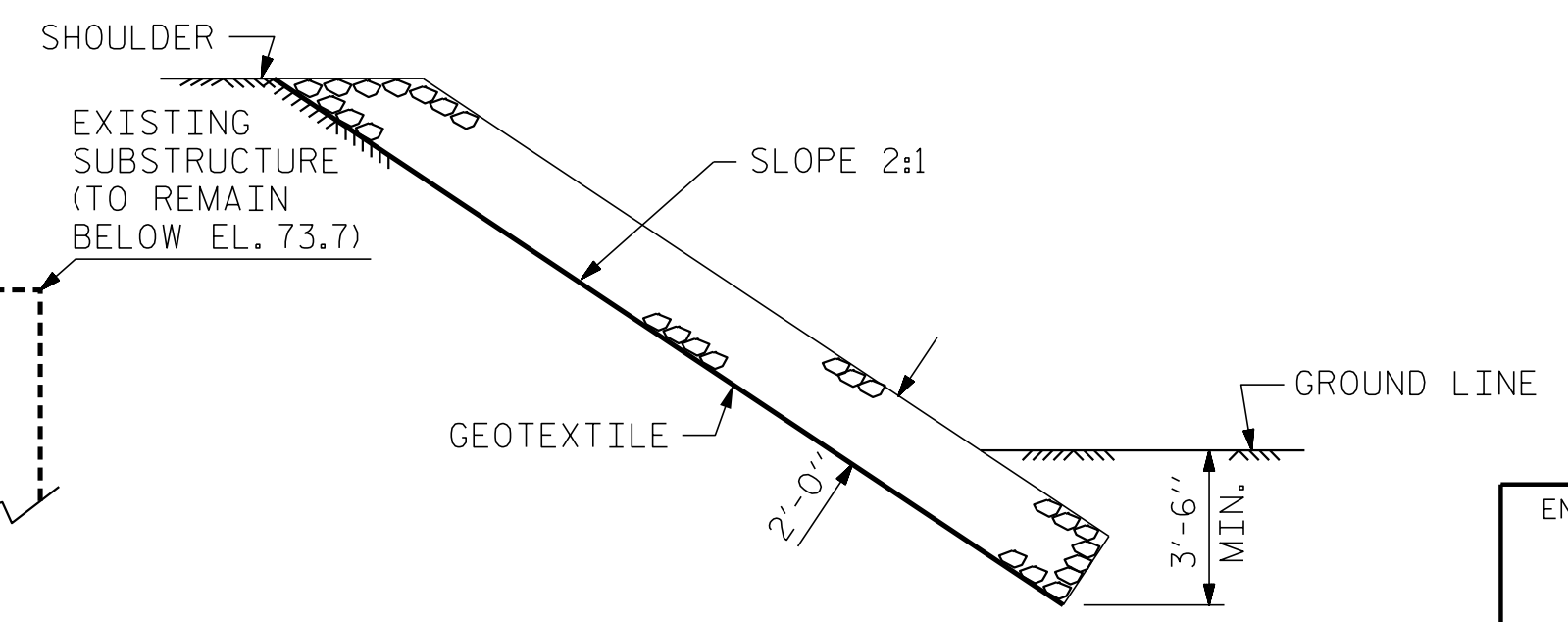
ESTIMATED QUANTITIES		
BRIDGE @ STA. 31+08.50 -L-	RIP RAP CLASS II (2'-0" THICK)	GEOTEXTILE FOR DRAINAGE
	TONS	SQUARE YARDS
END BENT 1	160	171
END BENT 2	170	187



SECTION H-H



SECTION C-C
 BERM RIP RAPPED



SECTION C-C

PROJECT NO. BR-0111
EDGEcombe COUNTY
 STATION: 31+08.50 -L-

ASSEMBLED BY : A. KLINK	DATE : 8-19
CHECKED BY : J. DILWORTH	DATE : 8-19
DRAWN BY : REK 1/84	REV. 10/1/11 MAA/GM
CHECKED BY : RDU 1/84	REV. 12/21/11 MAA/GM
	REV. 12/17 MAA/THC

DOCUMENT NOT CONSIDERED FINAL
 UNLESS ALL SIGNATURES COMPLETED

ENGINEER OF RECORD
 2/20/2020

 Designed by:
 John Arthur Dilworth
 02130228020008

 1223 Jones Franklin Rd.
 Raleigh, N.C. 27606
 Bus: 919 851 8077
 Fax: 919 851 8107
 LICENSE NO. F-0377

STATE OF NORTH CAROLINA DEPARTMENT OF TRANSPORTATION RALEIGH					
STANDARD RIP RAP DETAILS					
REVISIONS					
NO.	BY:	DATE:	NO.	BY:	DATE:
1			3		
2			4		
SHEET NO. S02-16					TOTAL SHEETS 17

P:\2019\1910401 BR-0111\Structures\DNBR\IDG64 BR0111_BR #4_STR_IRR.dgn
 12/19/2019 11:02:29 AM