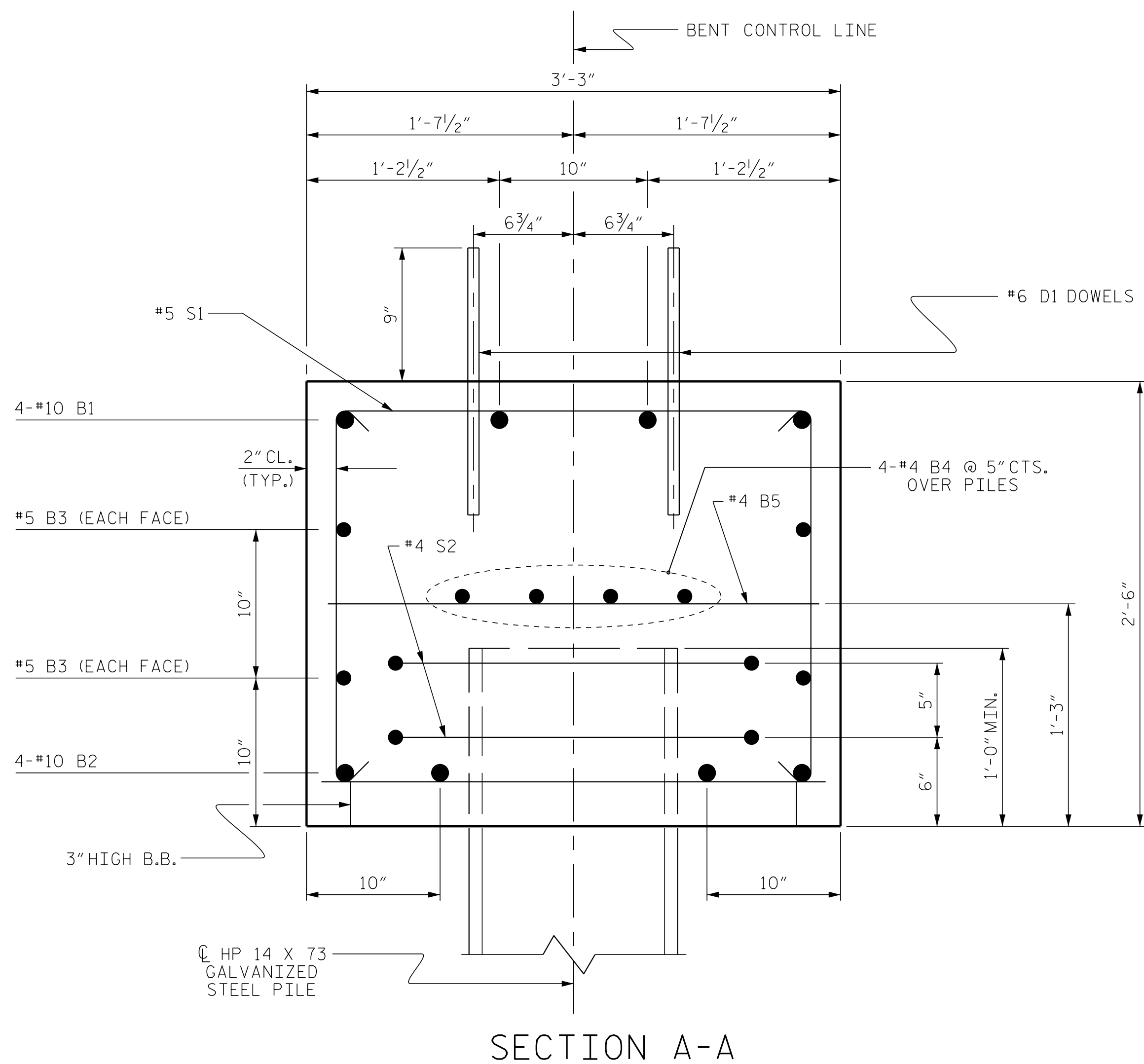
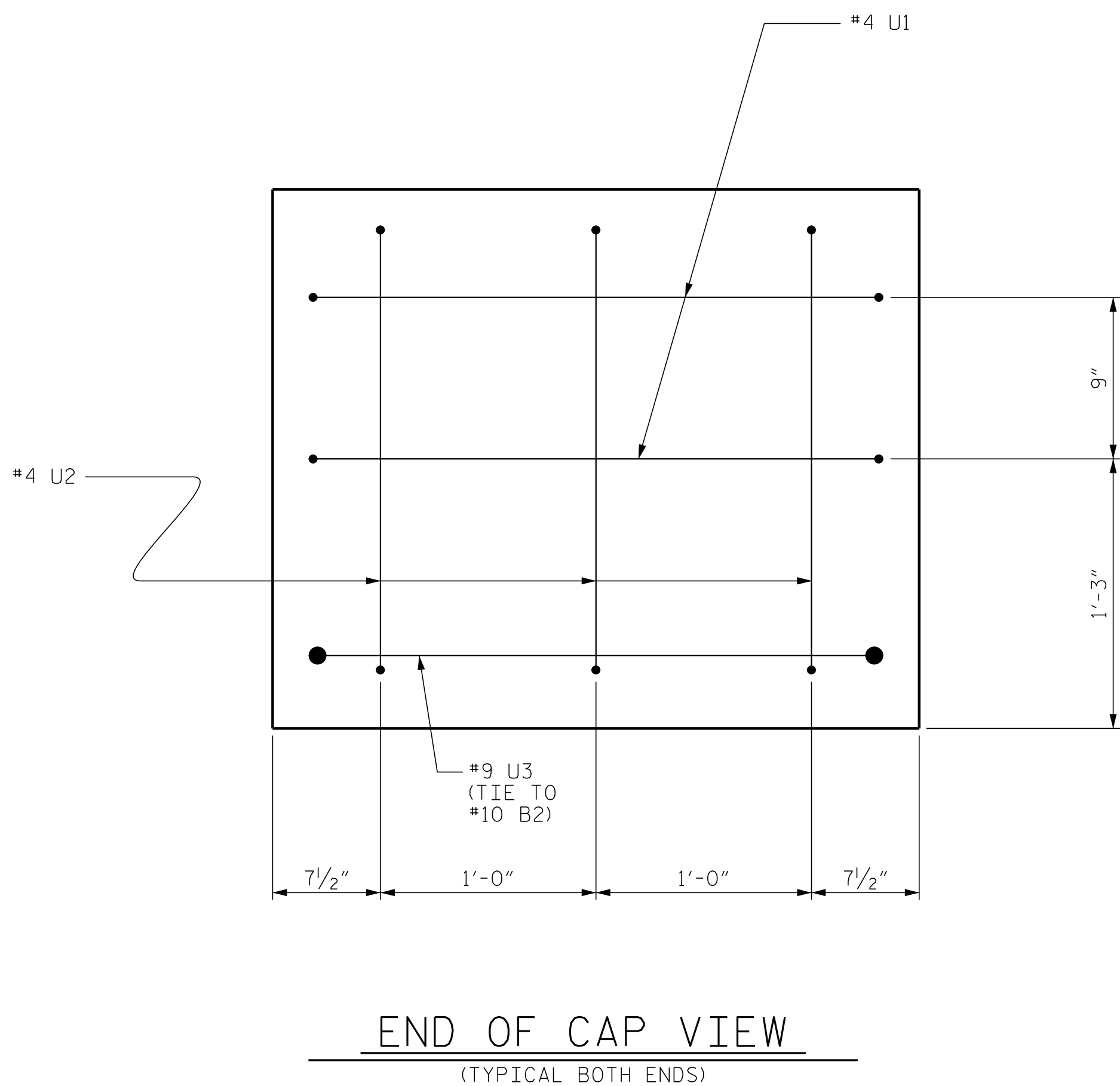
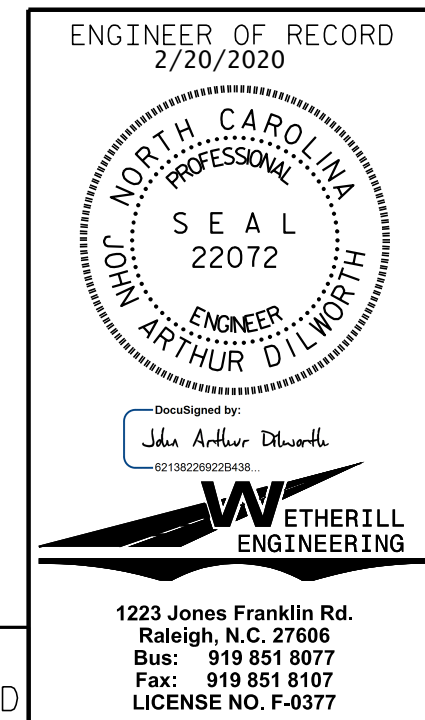


BILL OF MATERIAL FOR ONE BENT					
BAR	NO.	SIZE	TYPE	LENGTH	WEIGHT
B1	4	#10	1	37'-10"	651
B2	4	#10	STR	35'-2"	605
B3	4	#5	STR	35'-2"	147
B4	8	#4	STR	18'-10"	101
B5	9	#4	STR	2'-11"	18
D1	44	#6	STR	1'-6"	99
S1	39	#5	2	8'-1"	329
S2	16	#4	3	7'-7"	81
U1	4	#4	4	5'-10"	16
U2	6	#4	4	5'-0"	20
U3	2	#9	4	10'-1"	69
REINFORCING STEEL (FOR ONE BENT)					2136 LBS
CLASS A CONCRETE BREAKDOWN (FOR ONE BENT)					
TOTAL CLASS A CONCRETE					10.7 C.Y.
HP 14 X 73 GALVANIZED STEEL PILES (FOR ONE BENT)					
No. 8					LIN. FT. 480
PILE DRIVING EQUIPMENT SETUP FOR HP 14 X 73 GALVANIZED STEEL PILES (FOR ONE BENT)					NO: 8
PILE REDRIVES					NO: 4



PROJECT NO. BR-0111  
 EDGECOMBE COUNTY  
 STATION: 31+08.50 -L-  
 SHEET 2 OF 2



REVISIONS						SHEET NO.
NO.	BY:	DATE:	NO.	BY:	DATE:	SHEET NO.
1			3			TOTAL SHEETS 17
2			4			S02-15

DOCUMENT NOT CONSIDERED FINAL UNLESS ALL SIGNATURES COMPLETED

P:\2019\1910401\_BR-0111\Structures\DGMBR\IDG\_E\_A\BR0111\_BR\_#4\_STR\_BT.dgn  
 2/20/2020 7:30:56 AM

ASSEMBLED BY : J. PENDERGRAFT	DATE : 6-19
CHECKED BY : J. DILWORTH	DATE : 8-19
DRAWN BY : DGE 05/10	REV. 6/17
CHECKED BY : MKT 05/10	MAA/THC