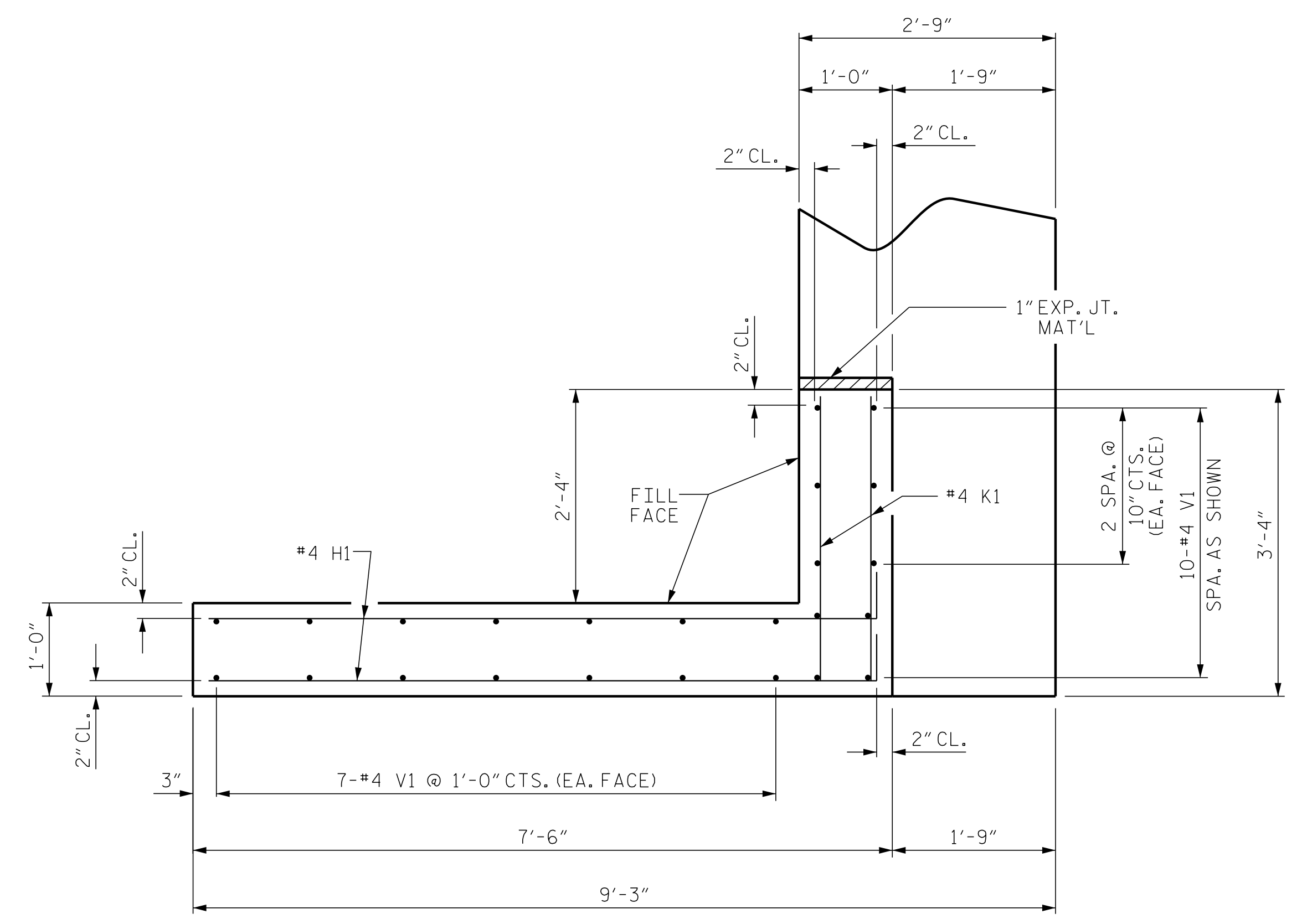
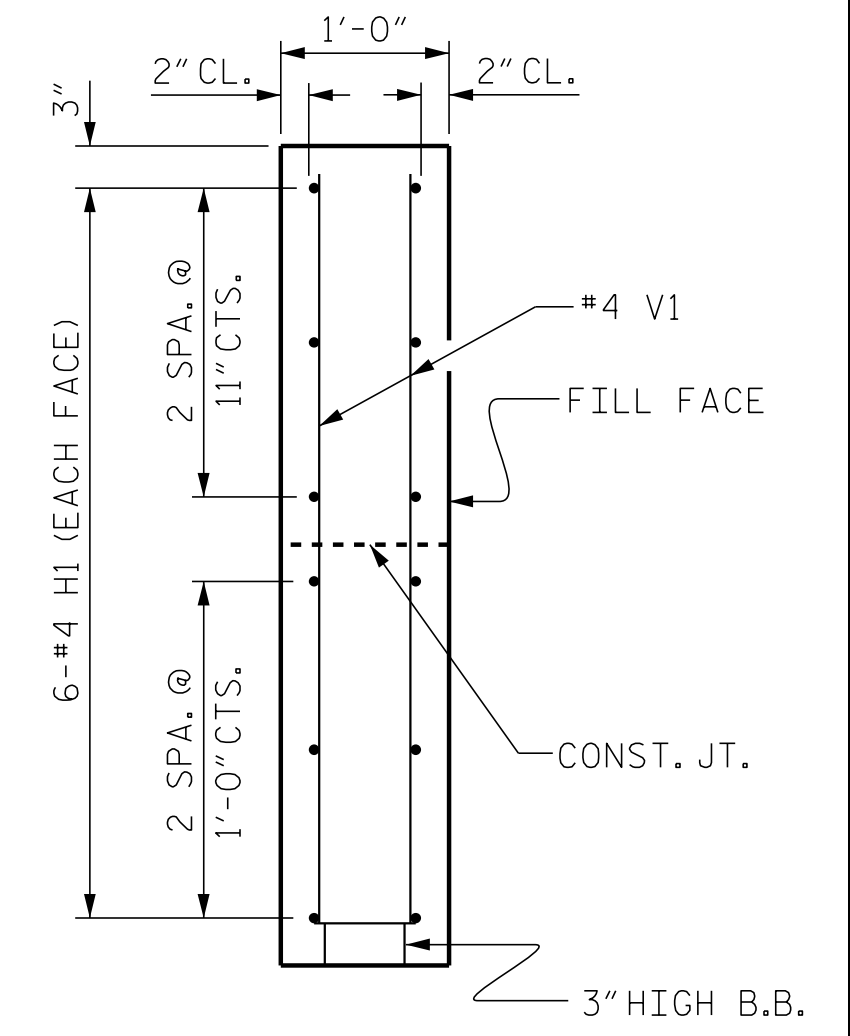


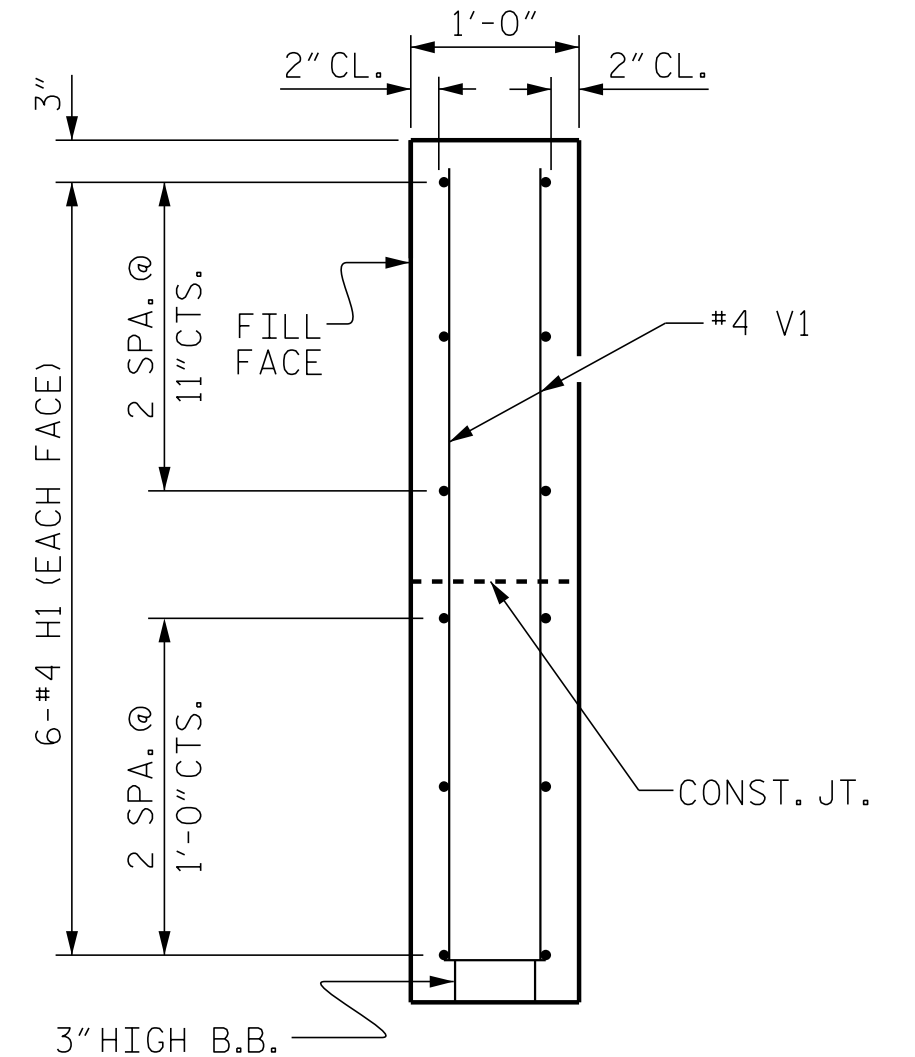
PLAN OF WING (W1)



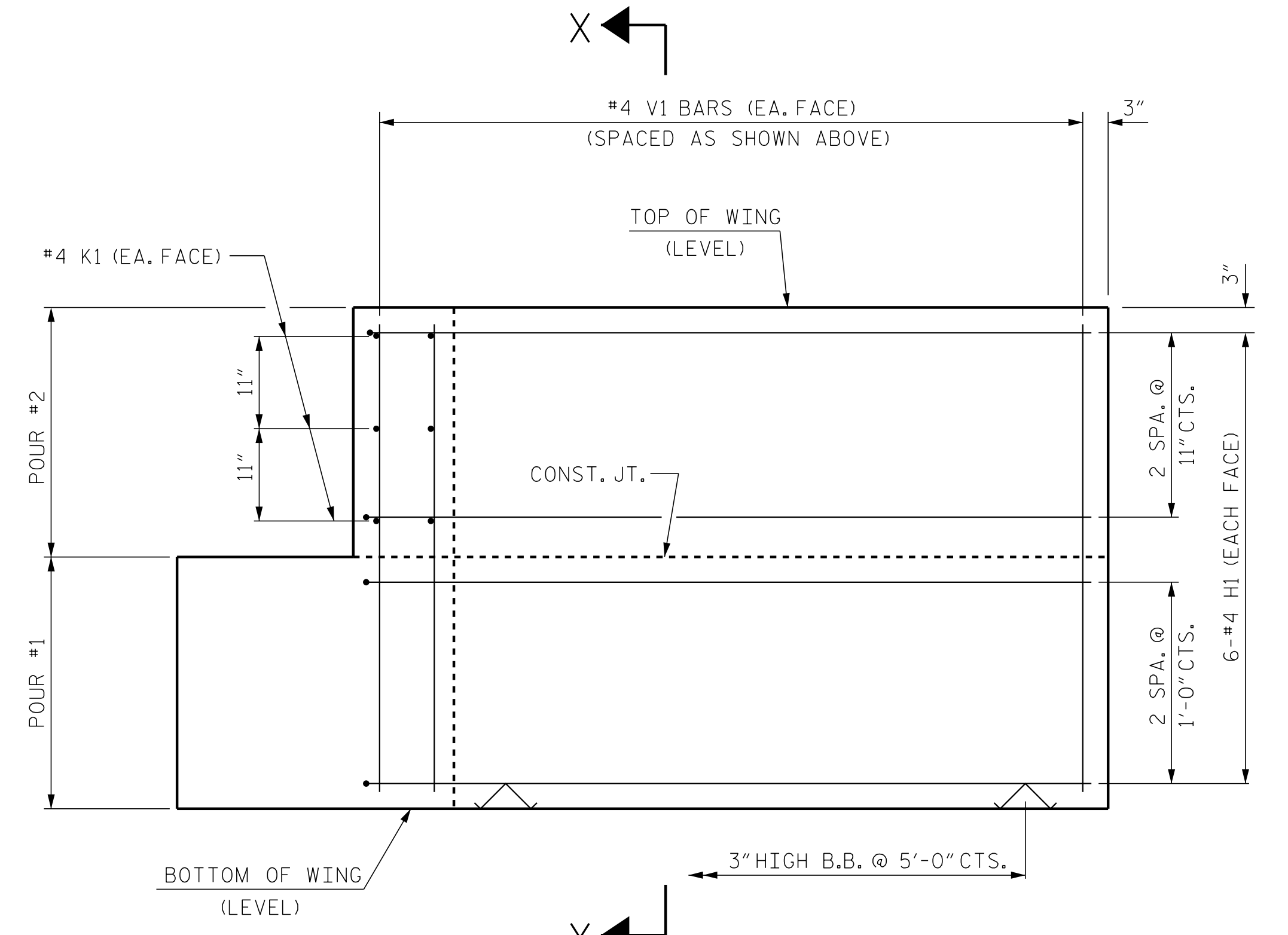
PLAN OF WING (W2)



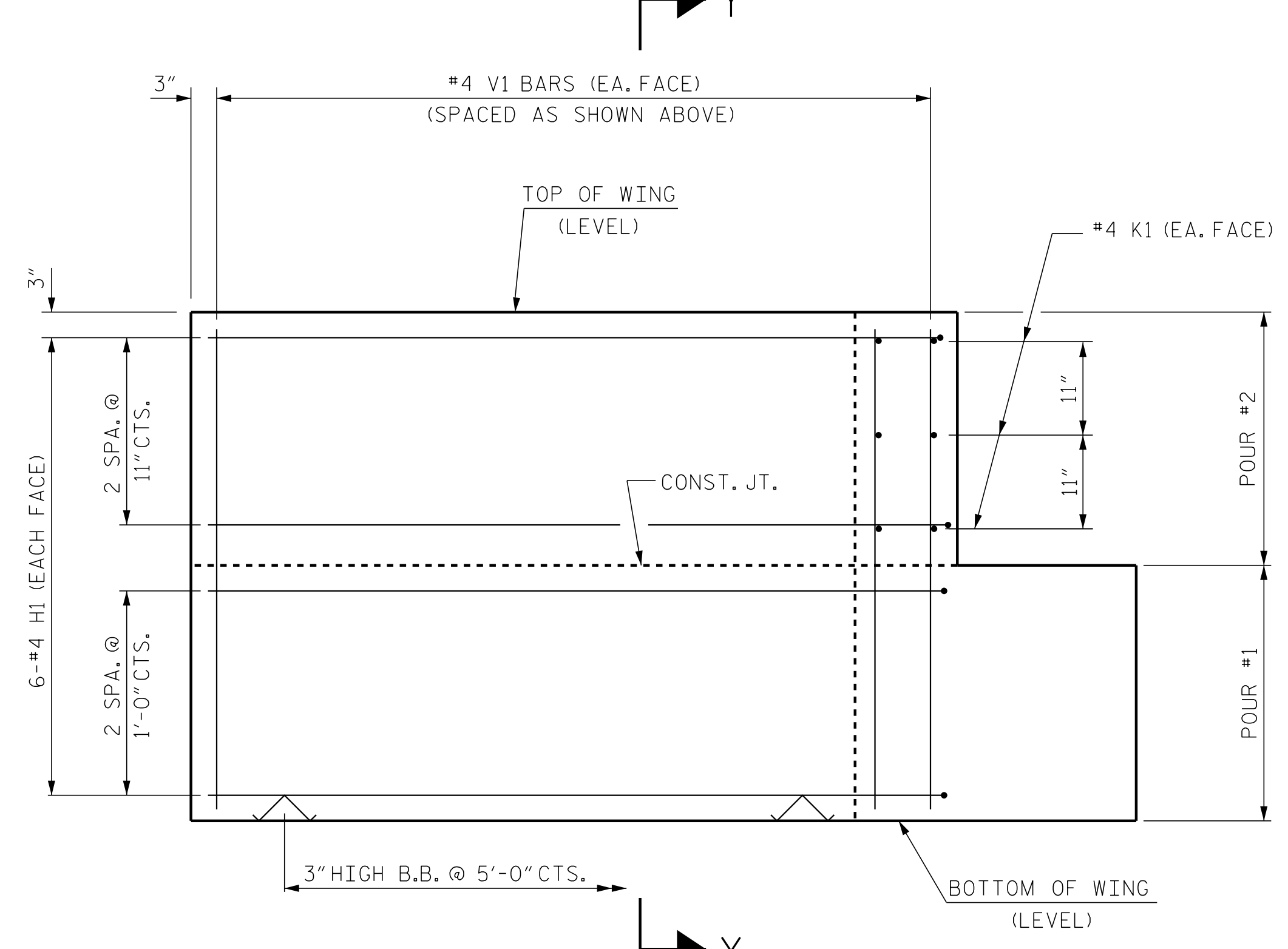
SECTION X-X



SECTION Y-Y



ELEVATION OF WING (W1)



ELEVATION OF WING (W2)

WING DETAILS

PROJECT NO. BR-0111
 EDGECOMBE COUNTY
 STATION: 31+08.50 -L-
 SHEET 3 OF 4

ENGINEER OF RECORD
 2/20/2020
 NORTH CAROLINA PROFESSIONAL SEAL
 22072
 ENGINEER ARTHUR DILLON
 Digitally signed by
 John Arthur Dillworth
 02180209202018
 WETHERILL ENGINEERING
 1223 Jones Franklin Rd.
 Raleigh, N.C. 27606
 Bus: 919 851 8077
 Fax: 919 851 8107
 LICENSE NO. F-0377

STATE OF NORTH CAROLINA DEPARTMENT OF TRANSPORTATION RALEIGH					
SUBSTRUCTURE END BENT WING DETAILS					
REVISIONS					
NO.	BY:	DATE:	NO.	BY:	DATE:
1			3		
2			4		
SHEET NO. S02-10					TOTAL SHEETS 17

ASSEMBLED BY : J. PENDERGRAFT	DATE : 6-19
CHECKED BY : J. DILWORTH	DATE : 8-19
DRAWN BY : DGE	02/10
CHECKED BY : MKT	02/10
REV. 4/15	MAA/TMG

DOCUMENT NOT CONSIDERED FINAL
 UNLESS ALL SIGNATURES COMPLETED

P:\2019\1910401 BR-0111\Structures\DNBR\IDG 4BR0111_BR #4_STR_EB.dgn
 12/19/2019 10:46:24 AM