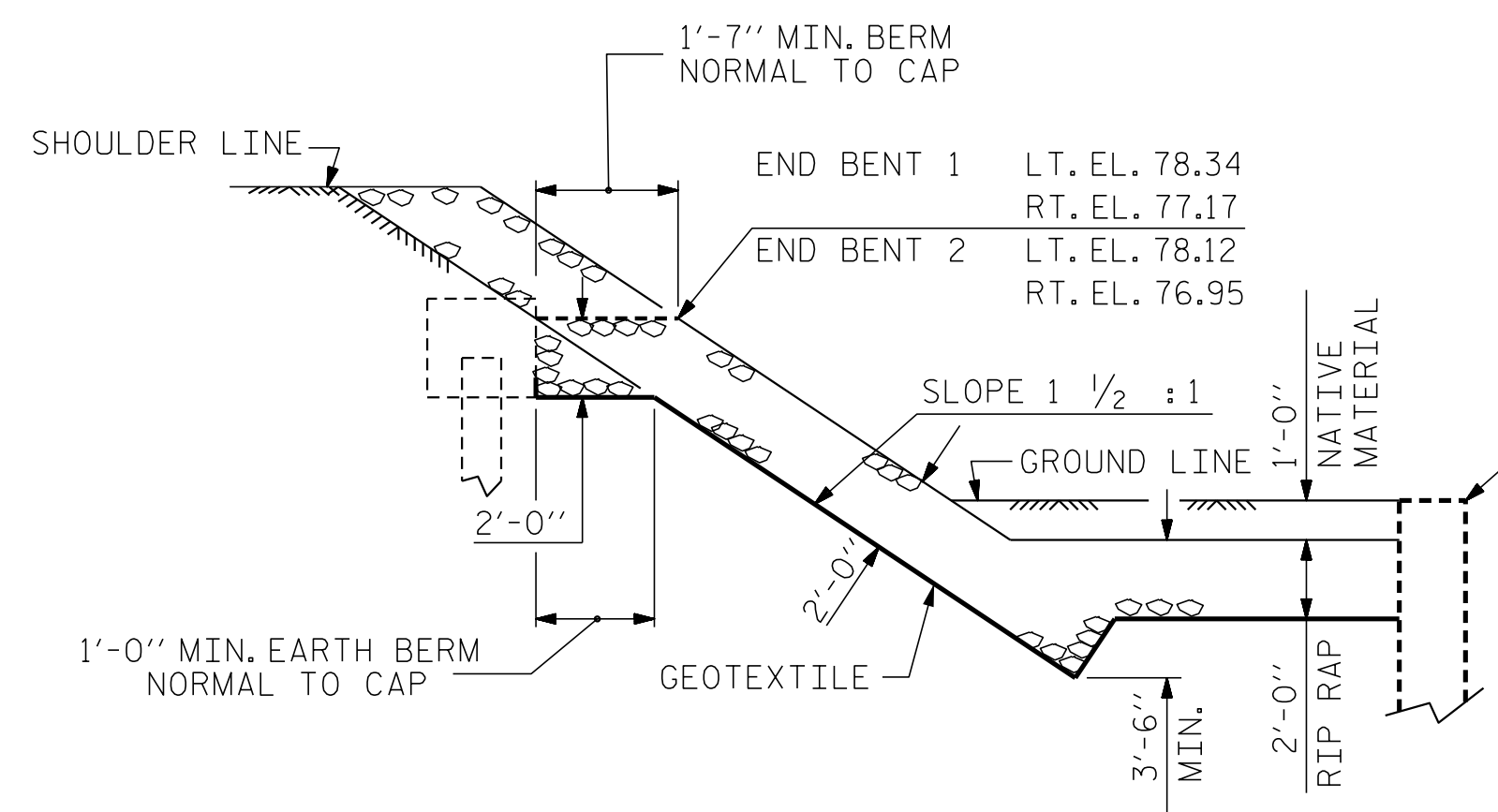
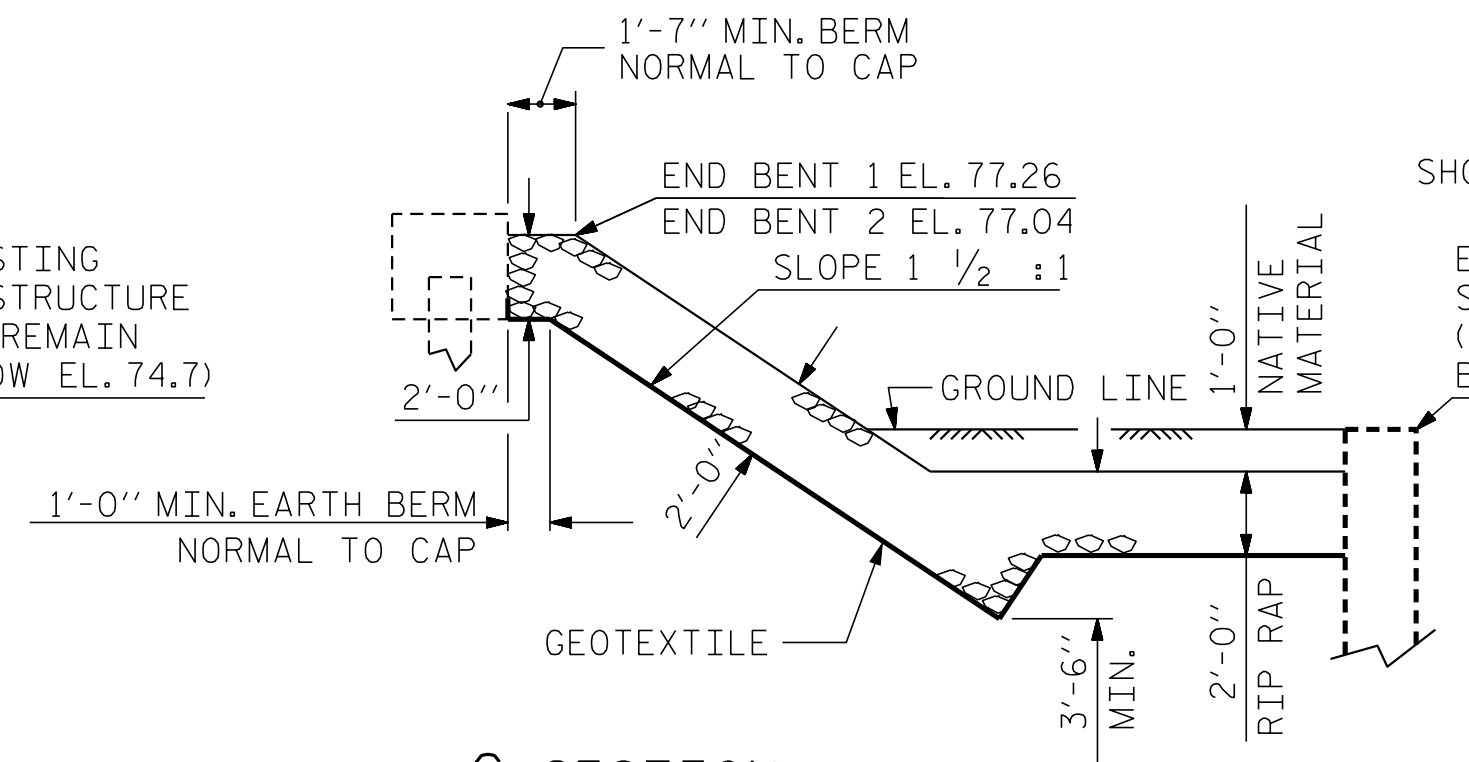


ESTIMATED QUANTITIES		
BRIDGE @ STA. 16+80.00 -L-	RIP RAP CLASS II (2'-0" THICK)	GEOTEXTILE FOR DRAINAGE
	TONS	SQUARE YARDS
END BENT 1	205	225
END BENT 2	210	230

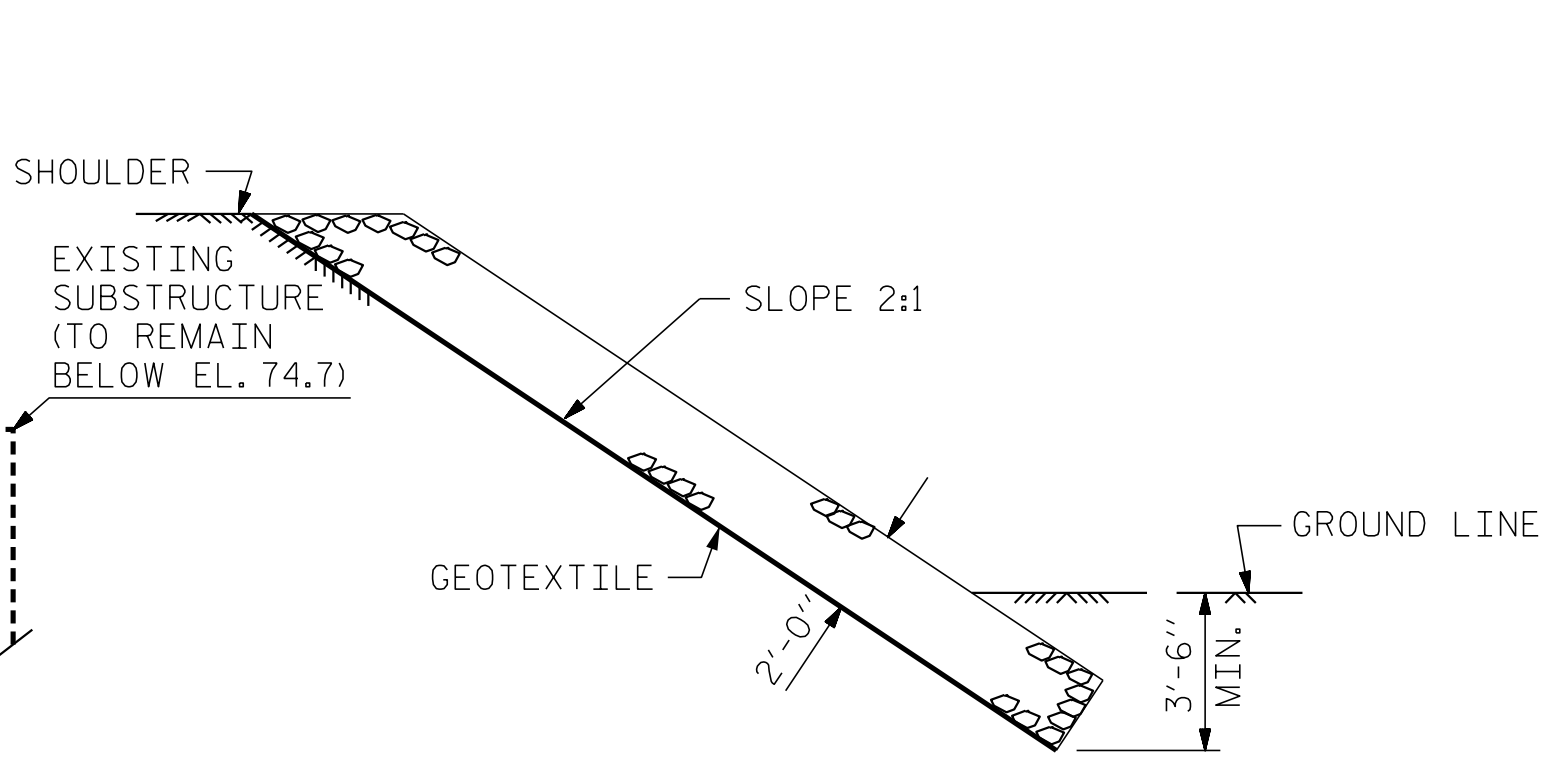
NOTE:
THE BACKFILL MATERIAL SHALL BE FROM THE MATERIAL EXCAVATED AS "UNCLASSIFIED STRUCTURE EXCAVATION". THE COST OF PLACING THE BACKFILL MATERIAL SHALL BE INCLUDED IN THE PAY ITEM FOR "RIP RAP, CLASS II".



SECTION H-H

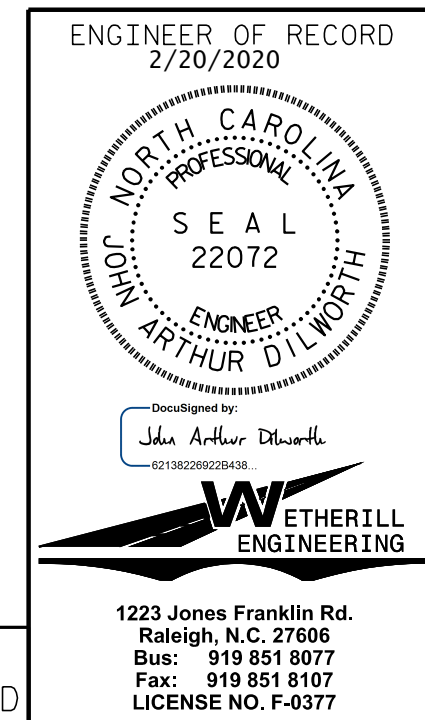


SECTION C-C
BERM RIP RAPPED



SECTION C-C

PROJECT NO. BR-0111
EDGEcombe COUNTY
STATION: 16+80.00 -L-



REVISIONS						SHEET NO.
NO.	BY:	DATE:	NO.	BY:	DATE:	SHEET NO.
1			3			TOTAL SHEETS
2			4			18

ASSEMBLED BY : A. KLINK	DATE : 08/19
CHECKED BY : J. DILWORTH	DATE : 08/19
DRAWN BY : REK 1/84	REV. 10/1/11 MAA/GM
CHECKED BY : RDU 1/84	REV. 12/21/11 MAA/GM
	REV. 12/17 MAA/THC

DOCUMENT NOT CONSIDERED FINAL
UNLESS ALL SIGNATURES COMPLETED

P:\2019\1910401 BR-0111\Structures\DNBRIDG6 5\BR0111_BR#5_STR_RR.dgn
 12/18/2019 3:44:35 PM