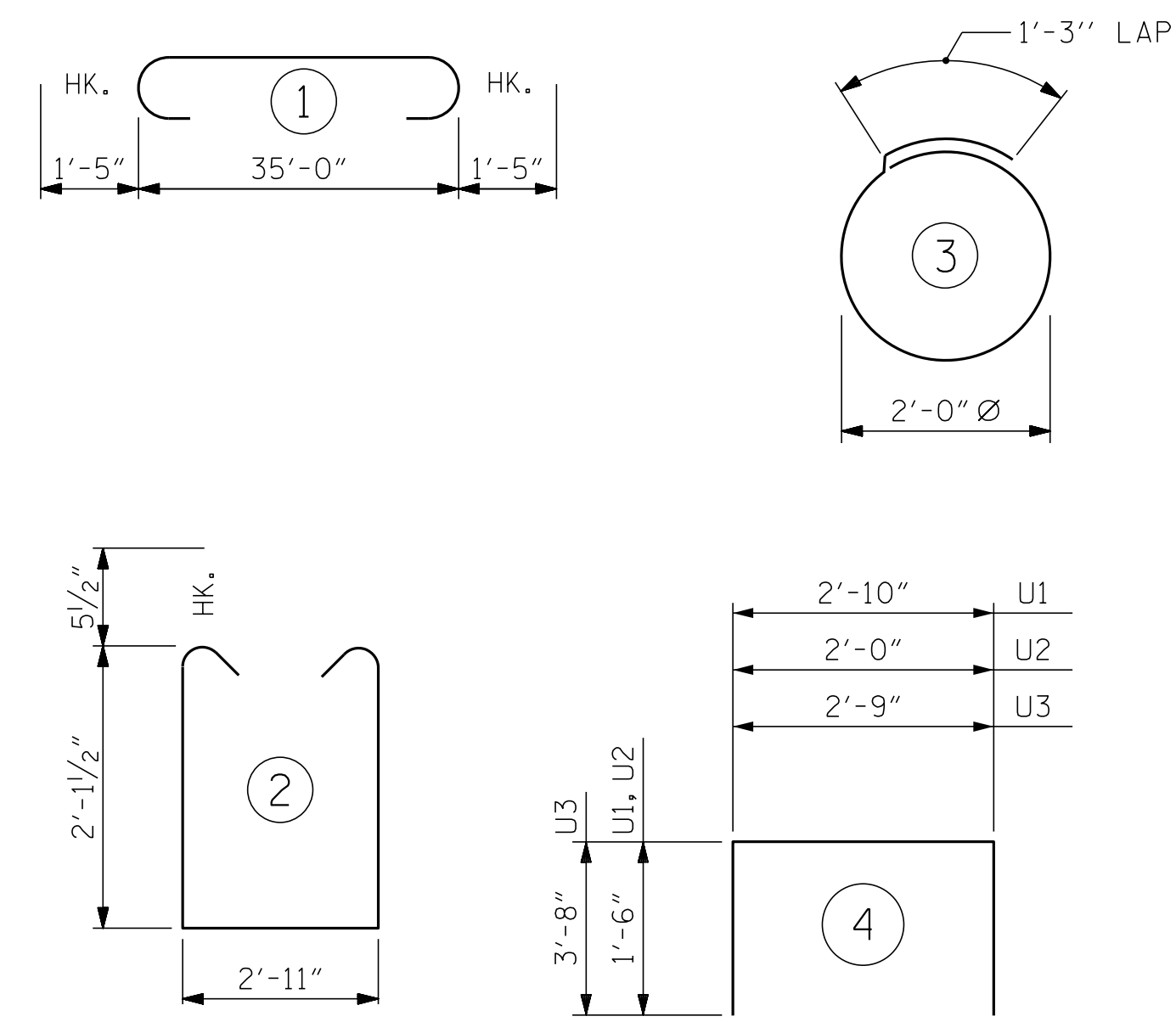


PILE SPLICE DETAILS

POSITION OF PILE DURING WELDING.

BAR TYPES



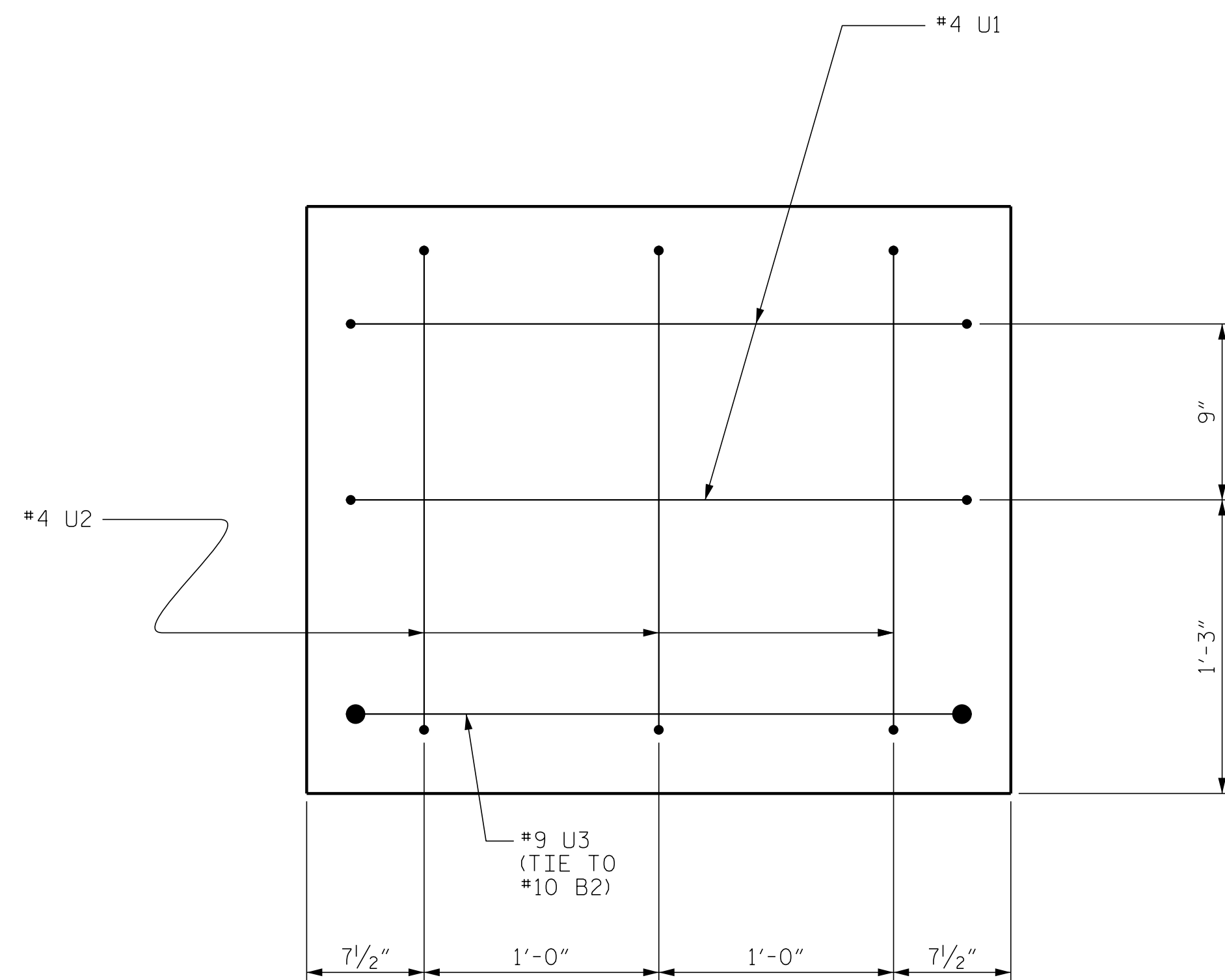
ALL BAR DIMENSIONS ARE OUT TO OUT.

BILL OF MATERIAL

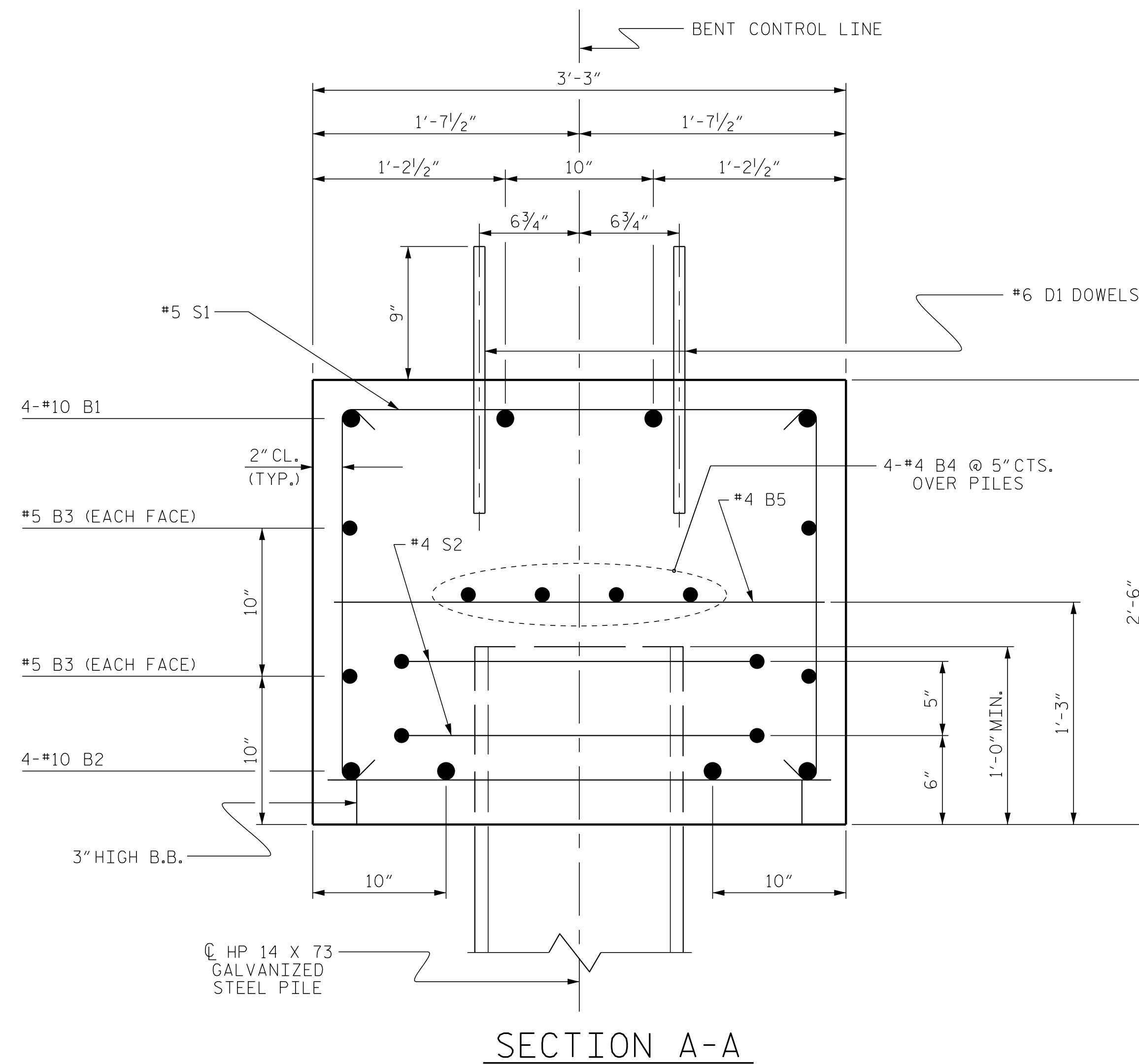
FOR ONE BENT

BAR	NO.	SIZE	TYPE	LENGTH	WEIGHT
B1	4	#10	1	37'-10"	651
B2	4	#10	STR	35'-2"	605
B3	4	#5	STR	35'-2"	147
B4	8	#4	STR	18'-10"	101
B5	9	#4	STR	2'-11"	18
D1	44	#6	STR	1'-6"	99
S1	39	#5	2	8'-1"	329
S2	16	#4	3	7'-7"	81
U1	4	#4	4	5'-10"	16
U2	6	#4	4	5'-0"	20
U3	2	#9	4	10'-1"	69

REINFORCING STEEL (FOR ONE BENT)	2136 LBS
CLASS A CONCRETE BREAKDOWN (FOR ONE BENT)	
TOTAL CLASS A CONCRETE	10.7 C.Y.
HP 14 X 73 GALVANIZED STEEL PILES (FOR ONE BENT)	
No. 8	LIN. FT. 400
PILE DRIVING EQUIPMENT SETUP FOR HP 14 X 73 GALVANIZED STEEL PILES (FOR ONE BENT)	NO: 8
PILE REDRIVES	NO: 4

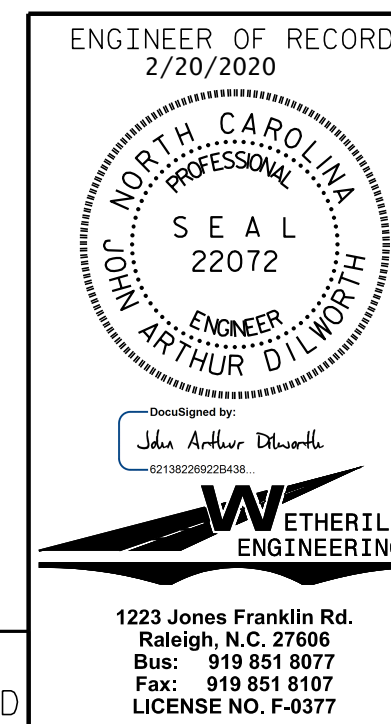


END OF CAP VIEW
(TYPICAL BOTH ENDS)



SECTION A-A

PROJECT NO. BR-0111
EDGEcombe COUNTY
 STATION: 16+80.00 -L-
 SHEET 2 OF 2



STATE OF NORTH CAROLINA DEPARTMENT OF TRANSPORTATION RALEIGH					
SUBSTRUCTURE BENT No. 1					
REVISIONS					
NO.	BY:	DATE:	NO.	BY:	DATE:
1			3		
2			4		
SHEET NO. S01-16					TOTAL SHEETS 18

ASSEMBLED BY : J. PENDERGRAFT	DATE : 6-19
CHECKED BY : J. DILWORTH	DATE : 8-19
DRAWN BY : DGE 05/10	REV. 6/17
CHECKED BY : MKT 05/10	MAA/THC

DOCUMENT NOT CONSIDERED FINAL
UNLESS ALL SIGNATURES COMPLETED

1223 Jones Franklin Rd.
Raleigh, N.C. 27606
Bus: 919 851 8077
Fax: 919 851 8107
LICENSE NO. F-0377

P:\2019\1910401 BR-0111\Structures\DNBR\IDGE 5\BR0111_BR#5_STR_BT.dgn 12/18/2019 3:43:06 PM