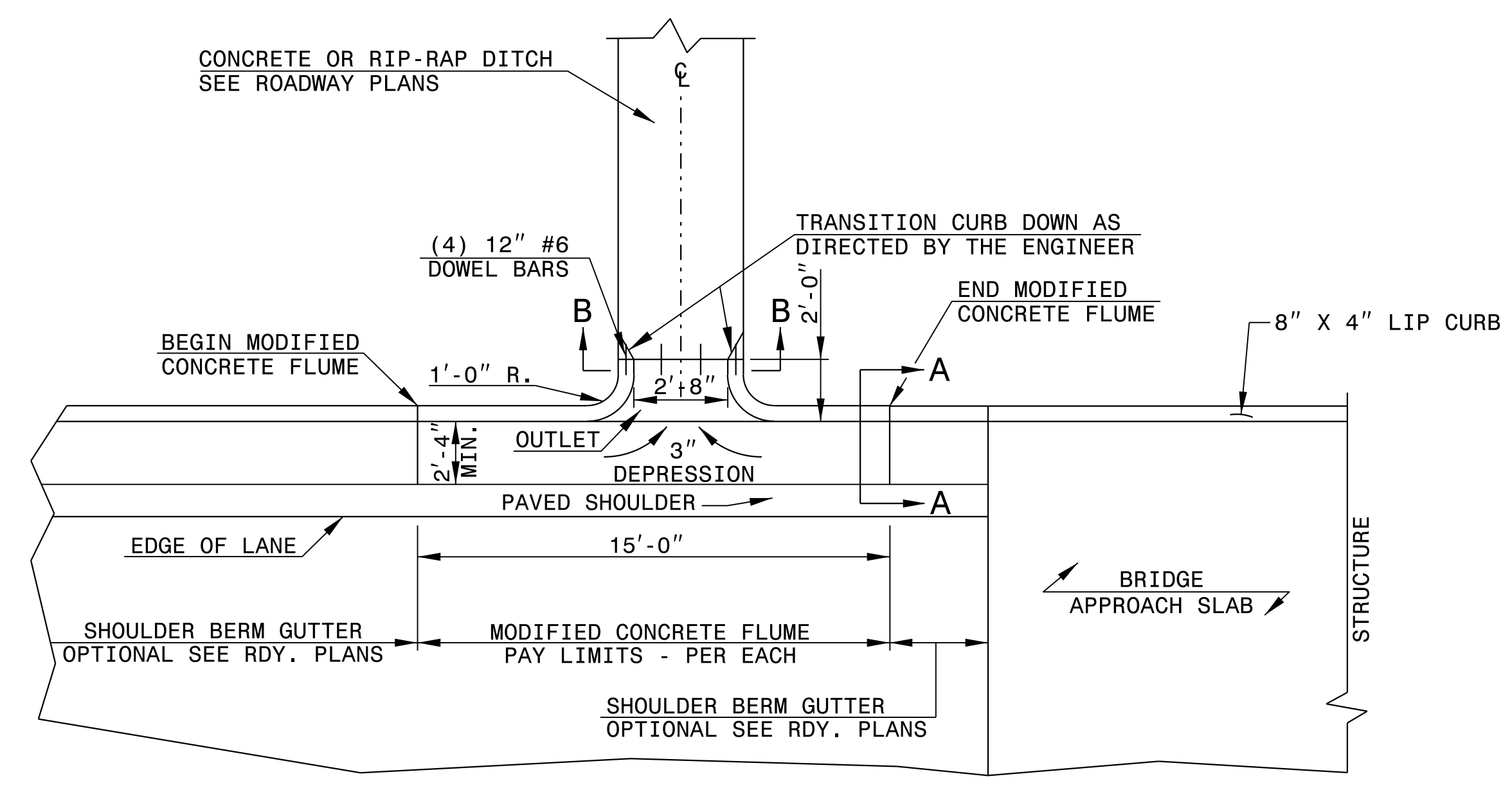


STATE OF NORTH CAROLINA DEPT. OF TRANSPORTATION DIVISION OF HIGHWAYS RALEIGH, N.C.

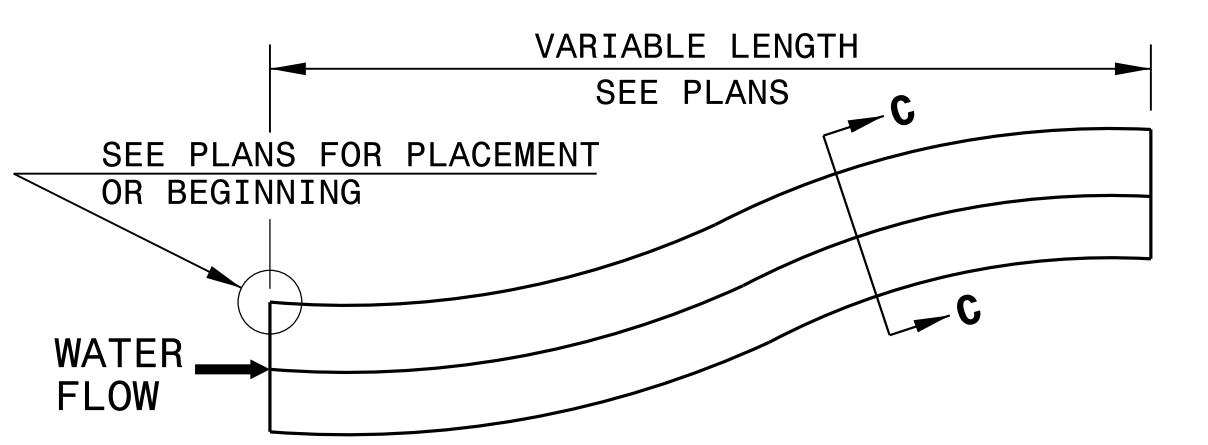
ENGLISH DETAIL DRAWING FOR MODIFIED CONCRETE FLUME WITH CONCRETE OR RIP-RAP DITCH

STATE OF NORTH CAROLINA DEPT. OF TRANSPORTATION DIVISION OF HIGHWAYS RALEIGH, N.C.

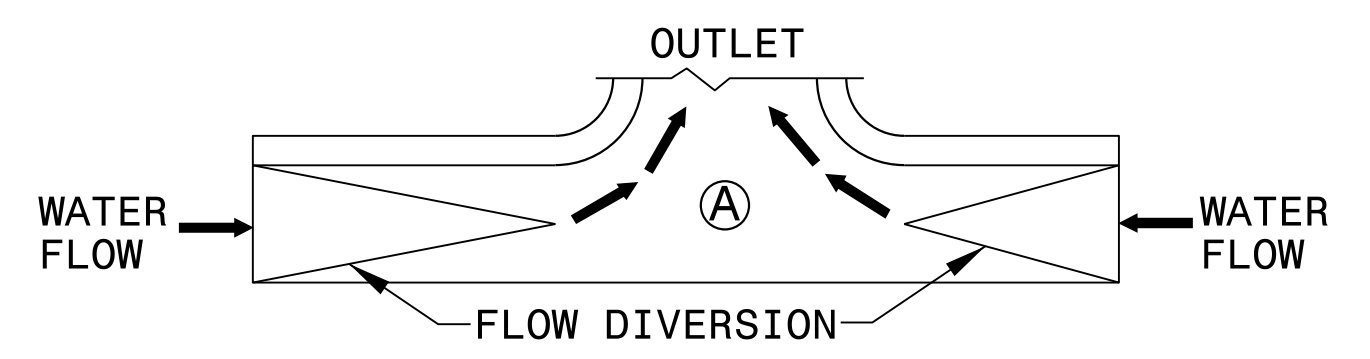
ENGLISH DETAIL DRAWING FOR MODIFIED CONCRETE FLUME WITH CONCRETE OR RIP-RAP DITCH



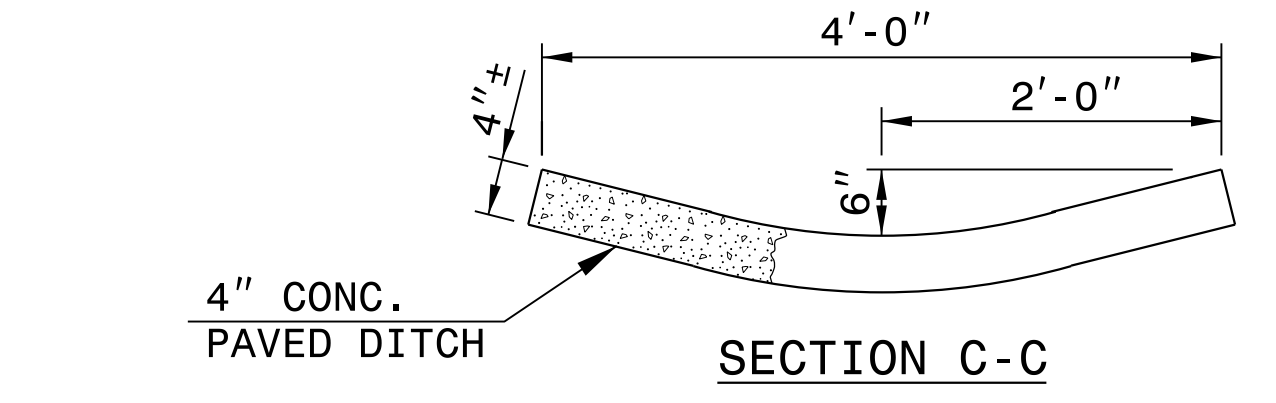
PLAN VIEW



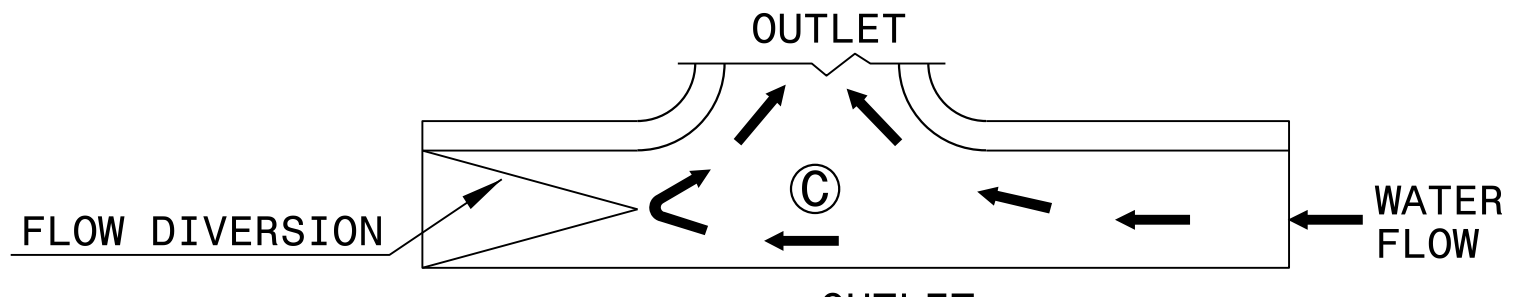
DOWNGRADE OR SAG



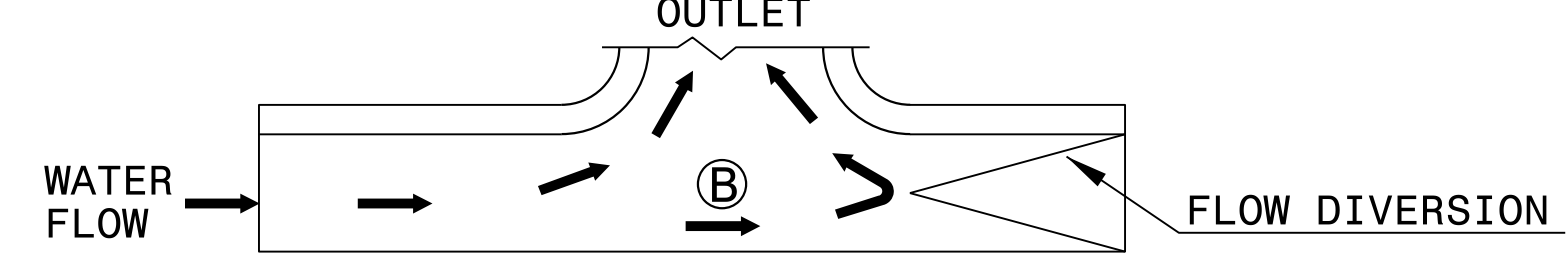
SAG



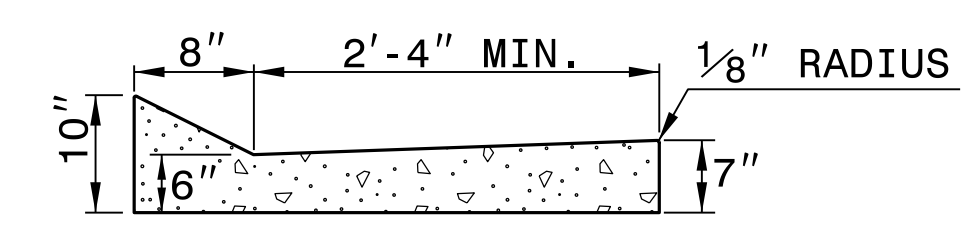
SECTION C-C



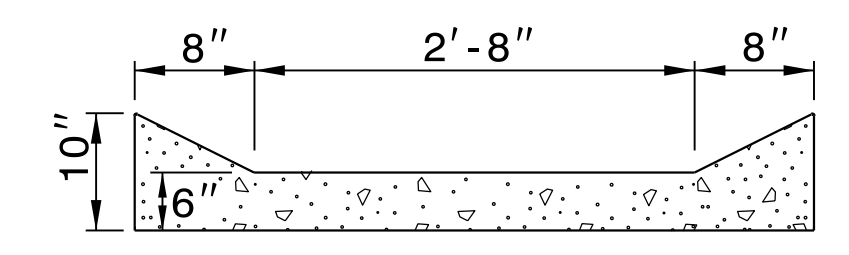
FLOW DIVERSION EXAMPLES



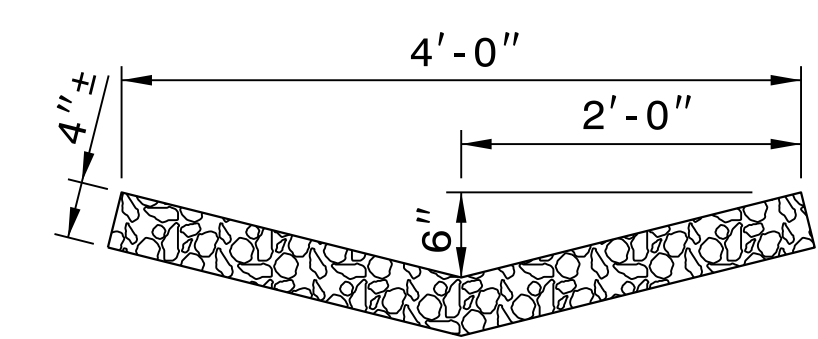
DOWN GRADE



SECTION A-A



SECTION B-B



RIP-RAP LINED DITCH

- NOTES: - CONSTRUCT MODIFIED CONCRETE FLUME AND SHOULDER BERM GUTTER IN ACCORDANCE WITH THIS DETAIL. - CONSTRUCT CONCRETE DITCH IN ACCORDANCE WITH STD. DWG. NO. 850.01. - CONSTRUCT RIP RAP LINED DITCH IN ACCORDANCE WITH THIS DETAIL, IF CALLED FOR IN PLANS. - CONCRETE OR RIP RAP LINED DITCH SHALL BE THE TYPE AND LENGTH SPECIFIED BY THE ROADWAY PLANS. THE DITCH SHALL TERMINATE AS SHOWN ON THE PLANS. IF NO TERMINATION IS INDICATED PLACE RIP-RAP AT THE END OF THE DITCH AS INDICATED BY STD. DWG. 876.02 FOR AN 18" PIPE. TRANSITIONS FROM THE DITCH TO TERMINATION SHALL BE AS DIRECTED BY THE ENGINEER. - MODIFICATIONS SHALL BE AS DICTATED BY SITE CONDITIONS AND DIRECTED BY THE ENGINEER.

SHEET 1 OF 1 MODFLMDTCH

SHEET 1 OF 1 MODFLMDTCH

DOCUMENT NOT CONSIDERED FINAL UNLESS ALL SIGNATURES COMPLETED



CONTRACT STANDARDS AND DEVELOPMENT UNIT Office 919-707-6950 FAX 919-250-4119 SEE PLATE FOR TITLE ORIGINAL BY: E.E. Ward DATE: Apr. 2002 MODIFIED BY: J.S. Howerton DATE: October 2017 CHECKED BY: DATE: FILE SPEC.: w:\details\stand\modifiedflume.dgn

18-QCT-2017 1417 S:\Contracts\Contract\Stand\Stand\stand\modiflume.dgn J:\work\ton AH CS0-212095