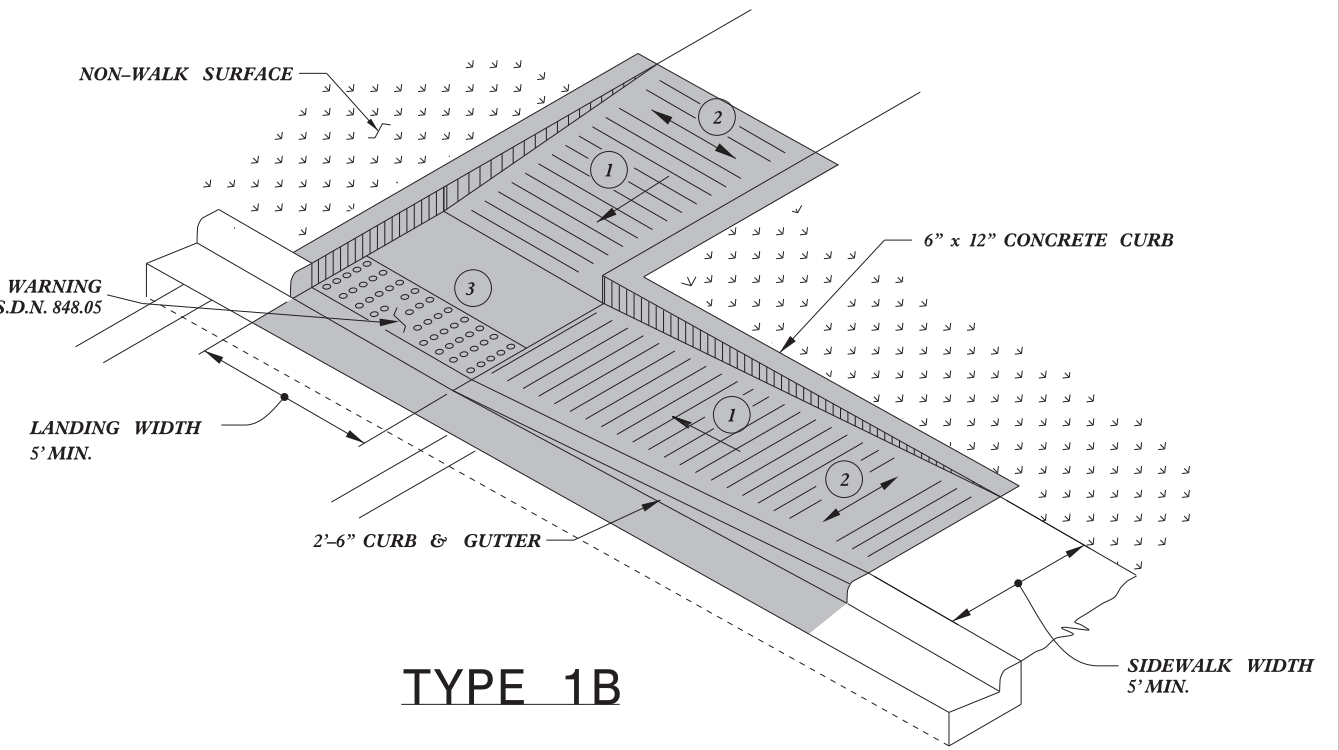
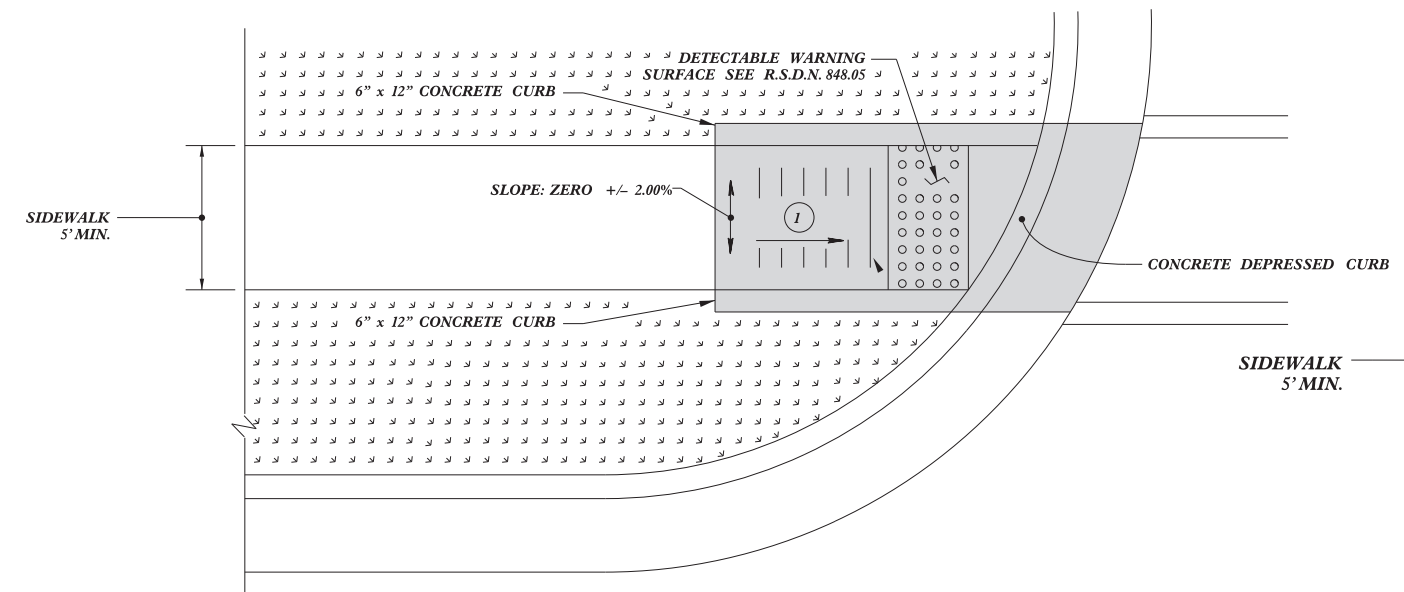


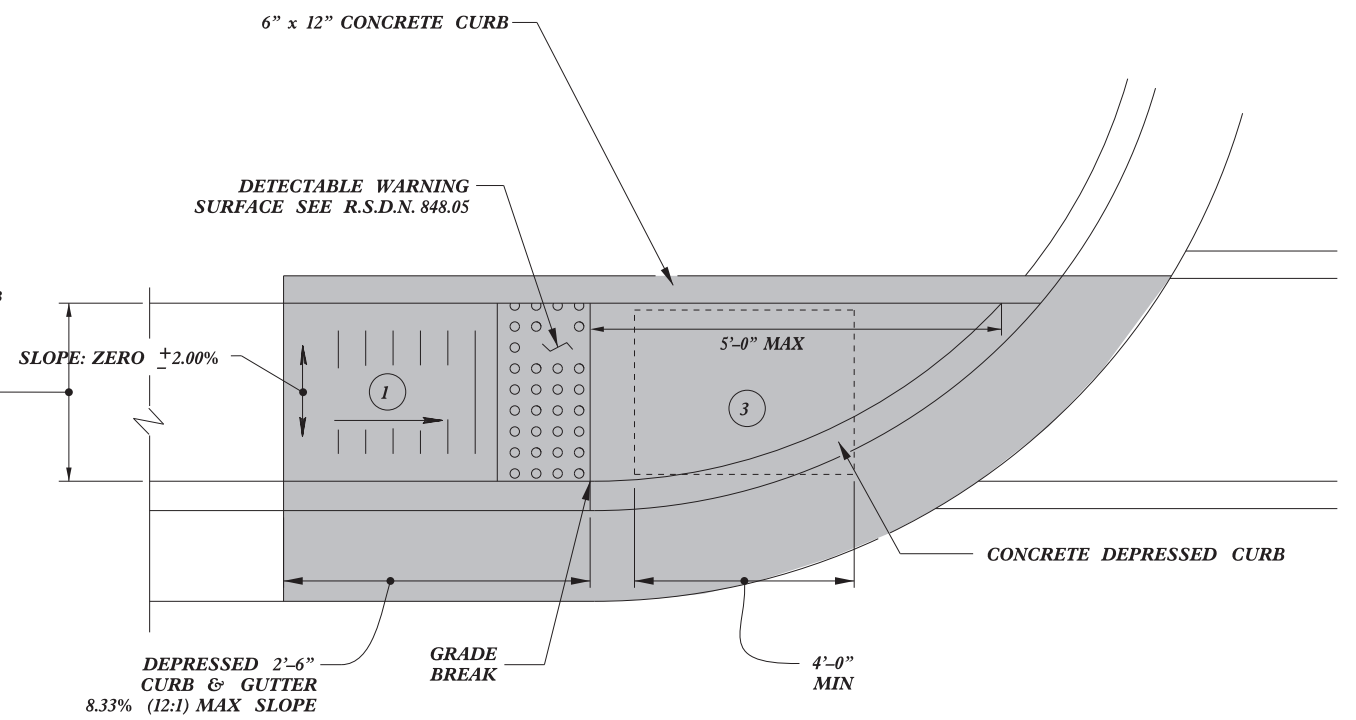
TYPE 1A



TYPE 1B



TYPE 1 Modified



TYPE 1

- 1 8.33% (12:1) MAX RAMP SLOPE
- 2 CROSS SLOPE: 2.00%
- 3 CURB RAMPS REQUIRE A (4'-0") MINIMUM LANDING WITH A MAXIMUM CROSS SLOPE AND LONGITUDINAL SLOPE OF 2.00% WHERE PEDESTRIANS PERFORM TURNING MANEUVERS. SLOPE TO DRAIN TO CURB.

PAY LIMITS FOR 1 CURB RAMP

REFER TO ROADWAY STANDARD DRAWING NUMBER 848.05 SHEET 3 OF 3 FOR ALL RAMP NOTES

1/8/2020
 Signed by: *J.S. Howerton*
 J.S. HOWERTON
 PROFESSIONAL ENGINEER
 SEAL 022966
 NORTH CAROLINA

DOCUMENT NOT CONSIDERED FINAL UNLESS ALL SIGNATURES COMPLETED

CONTRACT STANDARDS AND DEVELOPMENT UNIT
 Office 919-707-6950 FAX 919-250-4119

CURB RAMPS
 Directional Ramps

ORIGINAL BY: J.S. HOWERTON DATE: 7/7/11
 MODIFIED BY: _____ DATE: _____
 CHECKED BY: _____ DATE: _____
 FILE SPEC: sids/2012CurbRamp/CurbRampDetails.dgn

5/14/99
 \$\$\$\$SYTIME\$\$\$\$
 \$\$\$\$CON\$\$\$\$
 \$\$\$\$DU\$\$\$\$
 \$\$\$\$SERNAME\$\$\$\$