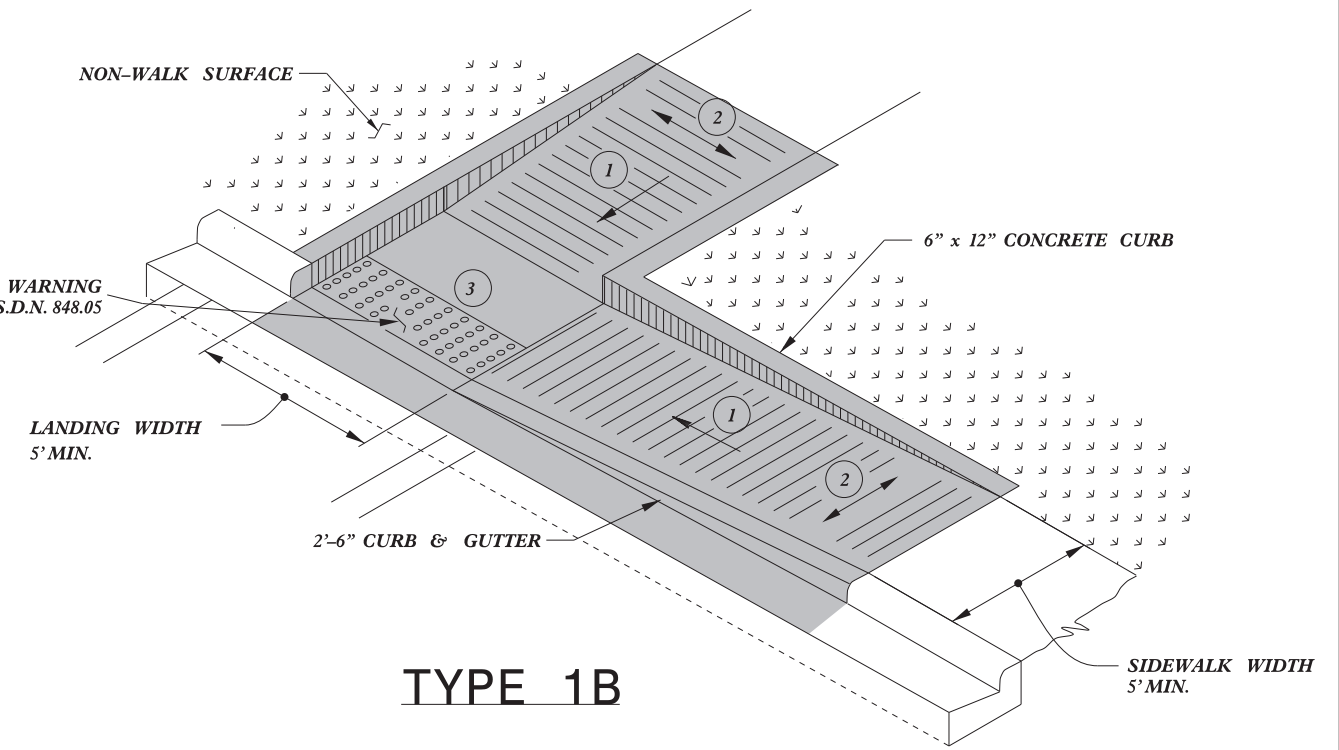
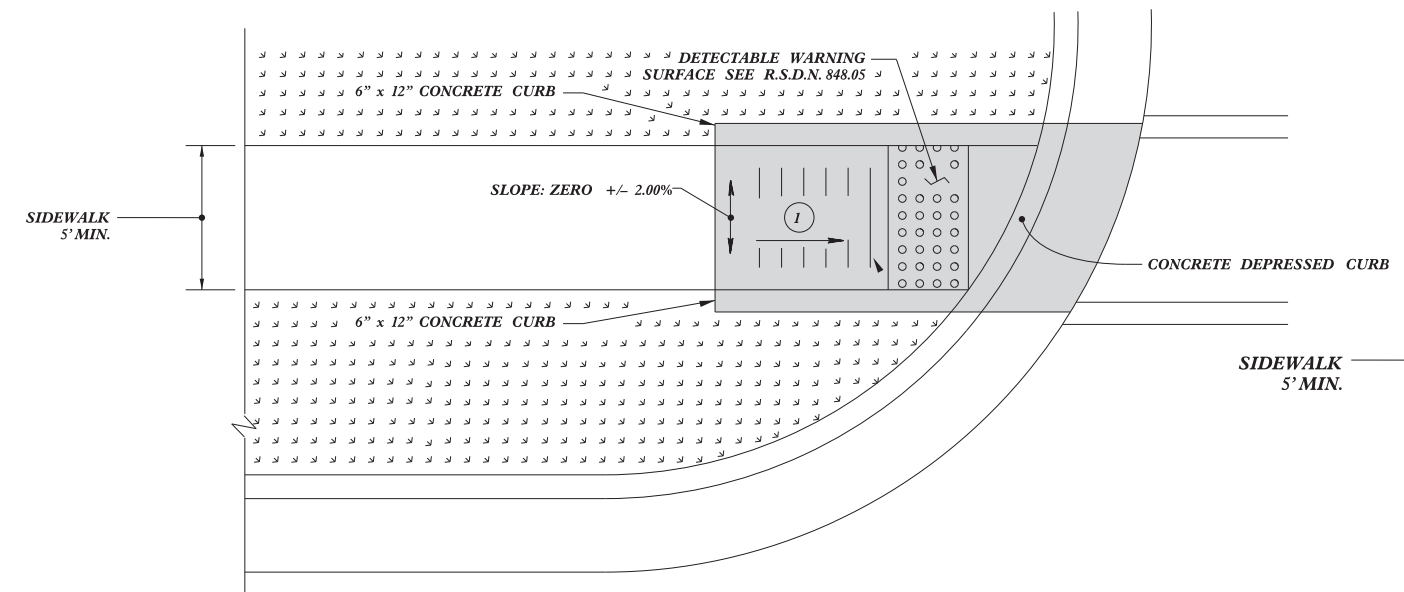


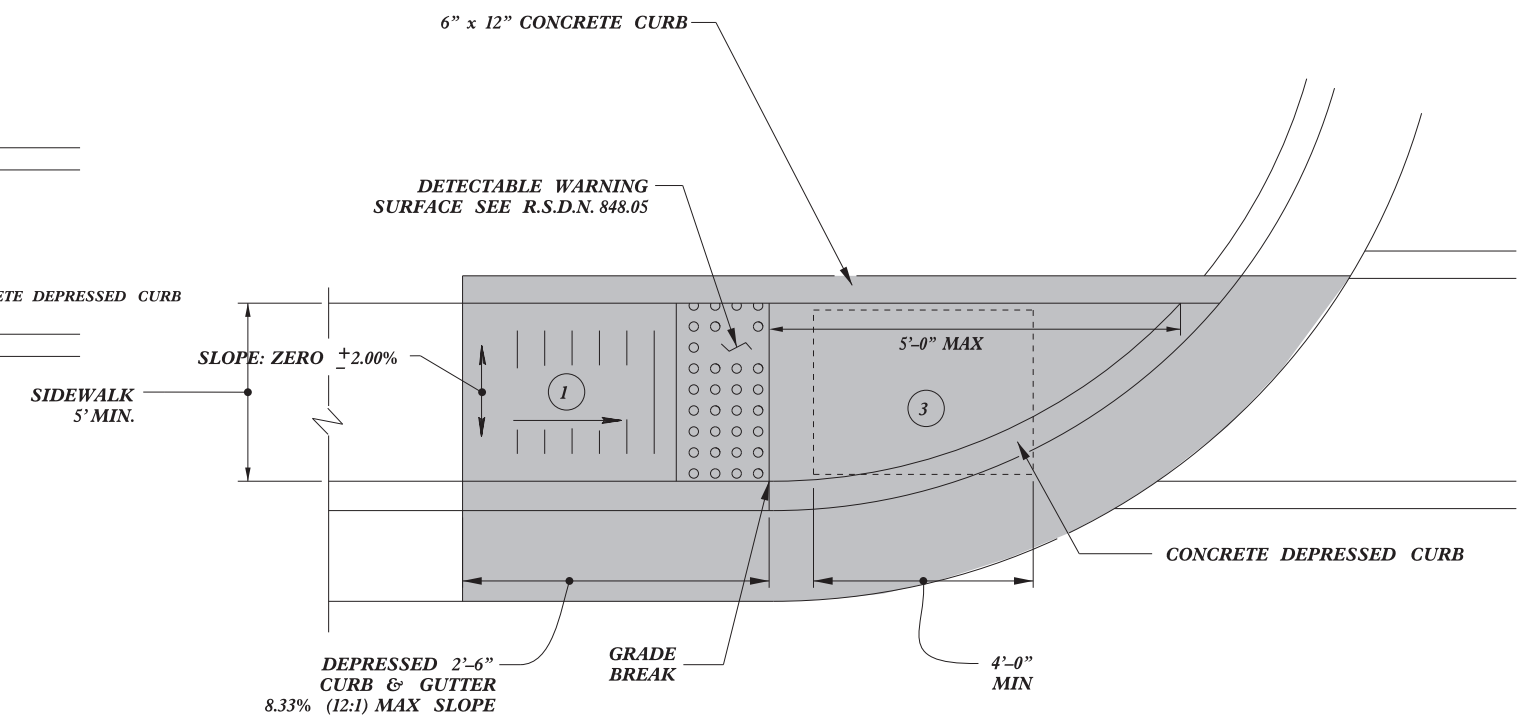
**TYPE 1A**



**TYPE 1B**



**TYPE 1 Modified**



**TYPE 1**

- 1 8.33% (12:1) MAX RAMP SLOPE
- 2 CROSS SLOPE: 2.00%
- 3 CURB RAMPS REQUIRE A (4'-0") MINIMUM LANDING WITH A MAXIMUM CROSS SLOPE AND LONGITUDINAL SLOPE OF 2.00% WHERE PEDESTRIANS PERFORM TURNING MANEUVERS. SLOPE TO DRAIN TO CURB.

PAY LIMITS FOR 1 CURB RAMP

REFER TO ROADWAY STANDARD DRAWING NUMBER 848.05 SHEET 3 OF 3 FOR ALL RAMP NOTES

1/8/2020  
 Signed by: *J.S. Howerton*  
 J.S. HOWERTON  
 PROFESSIONAL ENGINEER  
 SEAL 022966  
 NORTH CAROLINA

DOCUMENT NOT CONSIDERED FINAL UNLESS ALL SIGNATURES COMPLETED

**CONTRACT STANDARDS AND DEVELOPMENT UNIT**  
 Office 919-707-6950 FAX 919-250-4119

**CURB RAMPS**  
 Directional Ramps

ORIGINAL BY: J.S. HOWERTON DATE: 7/7/11  
 MODIFIED BY: DATE: \_\_\_\_\_  
 CHECKED BY: DATE: \_\_\_\_\_  
 FILE SPEC: sids/2012CurbRamp/CurbRampDetails.dgn

5/14/99  
 \$\$\$\$SYTIME\$\$\$\$  
 \$\$\$\$CON\$\$\$\$  
 \$\$\$\$DU\$\$\$\$  
 \$\$\$\$SERNAME\$\$\$\$