

PAVEMENT SCHEDULE

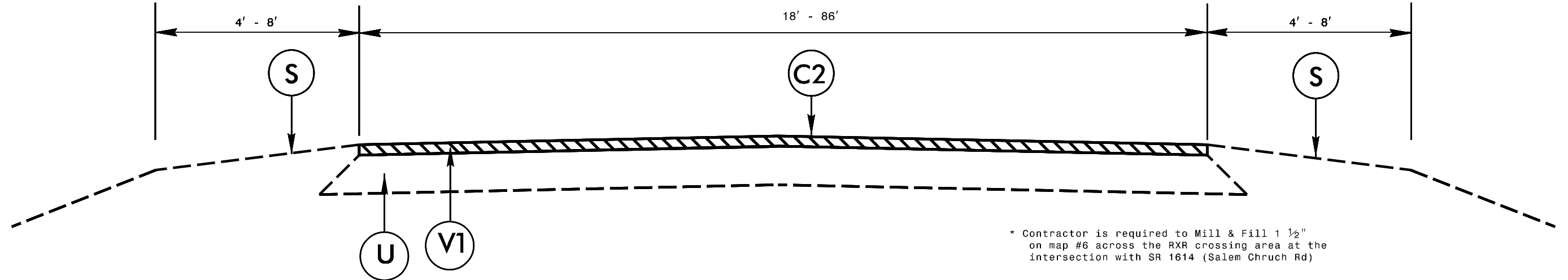
PROJECT REFERENCE NO.

SHEET NO.

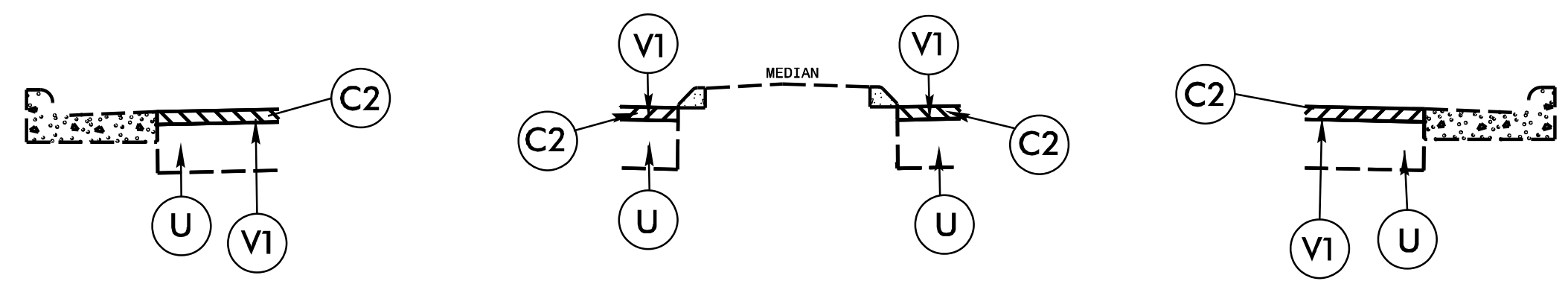
2021CPT.05.02.20921.1

15

C1	1¼" ASPHALT CONCRETE SURFACE COURSE, TYPE S9.5B, AT AN AVERAGE RATE OF 137.5 LBS. PER SQ. YD.	U	EXISTING PAVEMENT
C2	1½" ASPHALT CONCRETE SURFACE COURSE, TYPE S9.5B, AT AN AVERAGE RATE OF 165 LBS. PER SQ. YD.	S	SHOULDER GRADING ASB REQUIRED (EXCEPT AT RESIDENTIAL AREAS)
C3	1½" ASPHALT CONCRETE SURFACE COURSE, TYPE S9.5C, AT AN AVERAGE RATE OF 168 LBS. PER SQ. YD.	V1	1½" MILLING
C4	3" ASPHALT CONCRETE SURFACE COURSE, TYPE S9.5C, AT AN AVERAGE RATE OF 168 LBS. PER SQ. YD. IN EACH OF 2 LAYERS	V2	3" MILLING
		V3	0"-1½" MILLING



* Contractor is required to Mill & Fill 1 ½" on map #6 across the RXR crossing area at the intersection with SR 1614 (Salem Church Rd)



TYPICAL SECTION NO. 3