

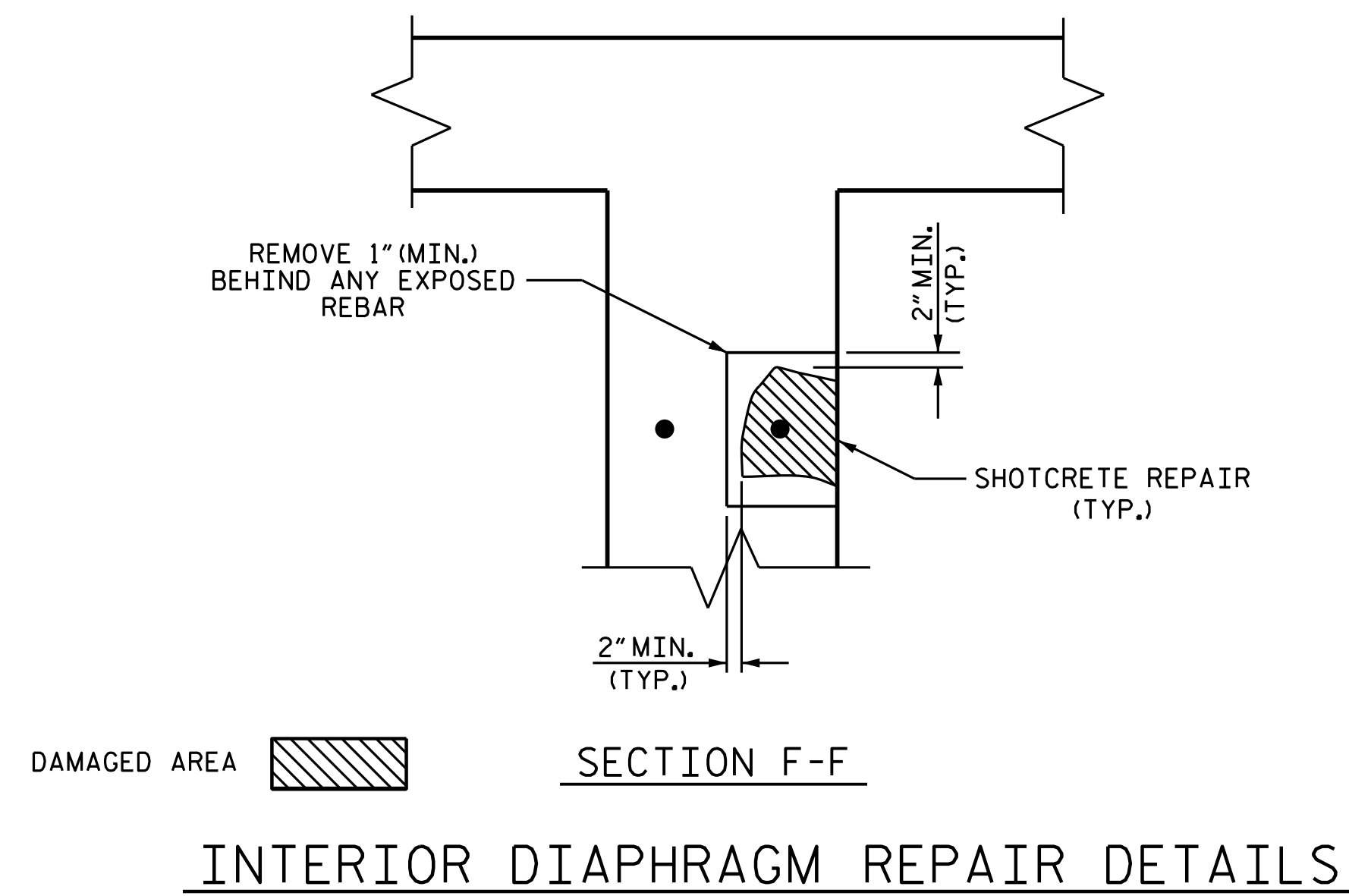
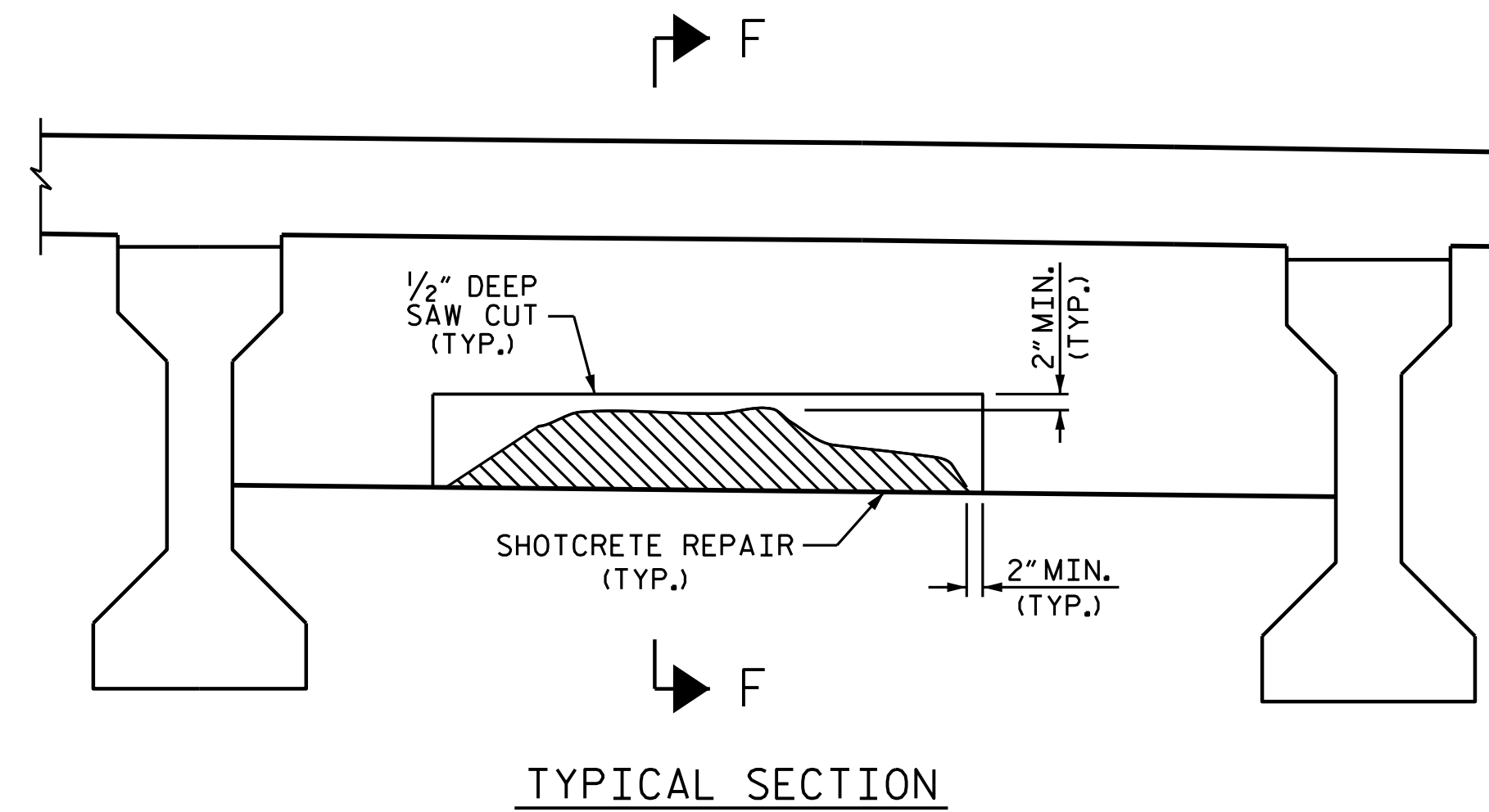
NOTES

CONTRACTOR SHALL REMOVE SURFACE CONCRETE TO VERIFY THAT SAWCUT DEPTH WILL NOT DAMAGE EXISTING REINFORCING STEEL OR PRESTRESSED TENDONS.

CONTRACTOR SHALL SAW CUT TO A NOMINAL DEPTH OF 1/2" BUT REINFORCING STEEL AND PRESTRESSED TENDONS SHALL NOT BE DAMAGED.

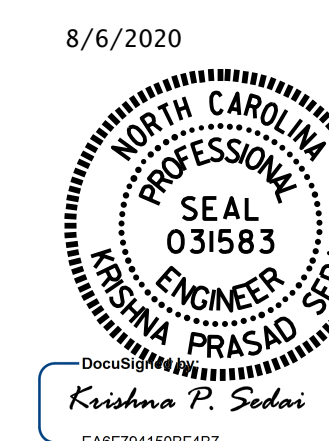
CONTRACTOR SHALL SAW CUT THE REPAIR AREAS SO THAT THE CORNERS ARE SQUARE AS INDICATED ON THE DETAILS.

FOR SHOTCRETE REPAIRS, SEE SPECIAL PROVISIONS.



PROJECT NO. I-5795
FORSYTH COUNTY
 BRIDGE NO. 161, 162

SHEET 2 OF 3



STATE OF NORTH CAROLINA
 DEPARTMENT OF TRANSPORTATION
 RALEIGH

DIAPHRAGM REPAIR DETAILS

| REVISIONS | | | | | | SHEET NO. |
|-----------|-----|-------|-----|-----|-------|--------------|
| NO. | BY: | DATE: | NO. | BY: | DATE: | SD-2 |
| 1 | | | 3 | | | TOTAL SHEETS |
| 2 | | | 4 | | | 3 |

DOCUMENT NOT CONSIDERED FINAL UNLESS ALL SIGNATURES COMPLETED

DRAWN BY : A. SORSENGINH DATE : 5/2018
 CHECKED BY : M. G. SHAIKH DATE : 6/2018