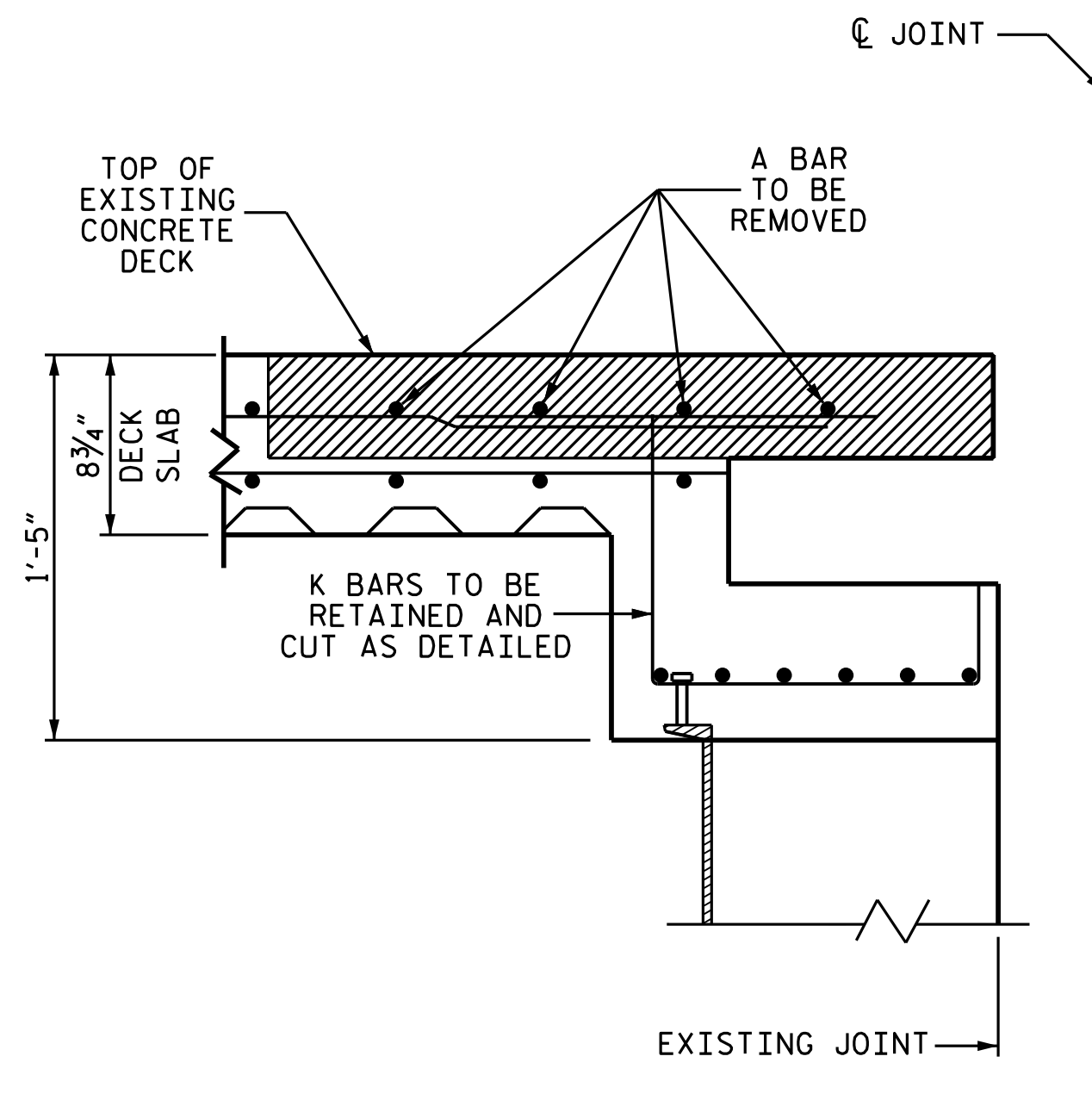
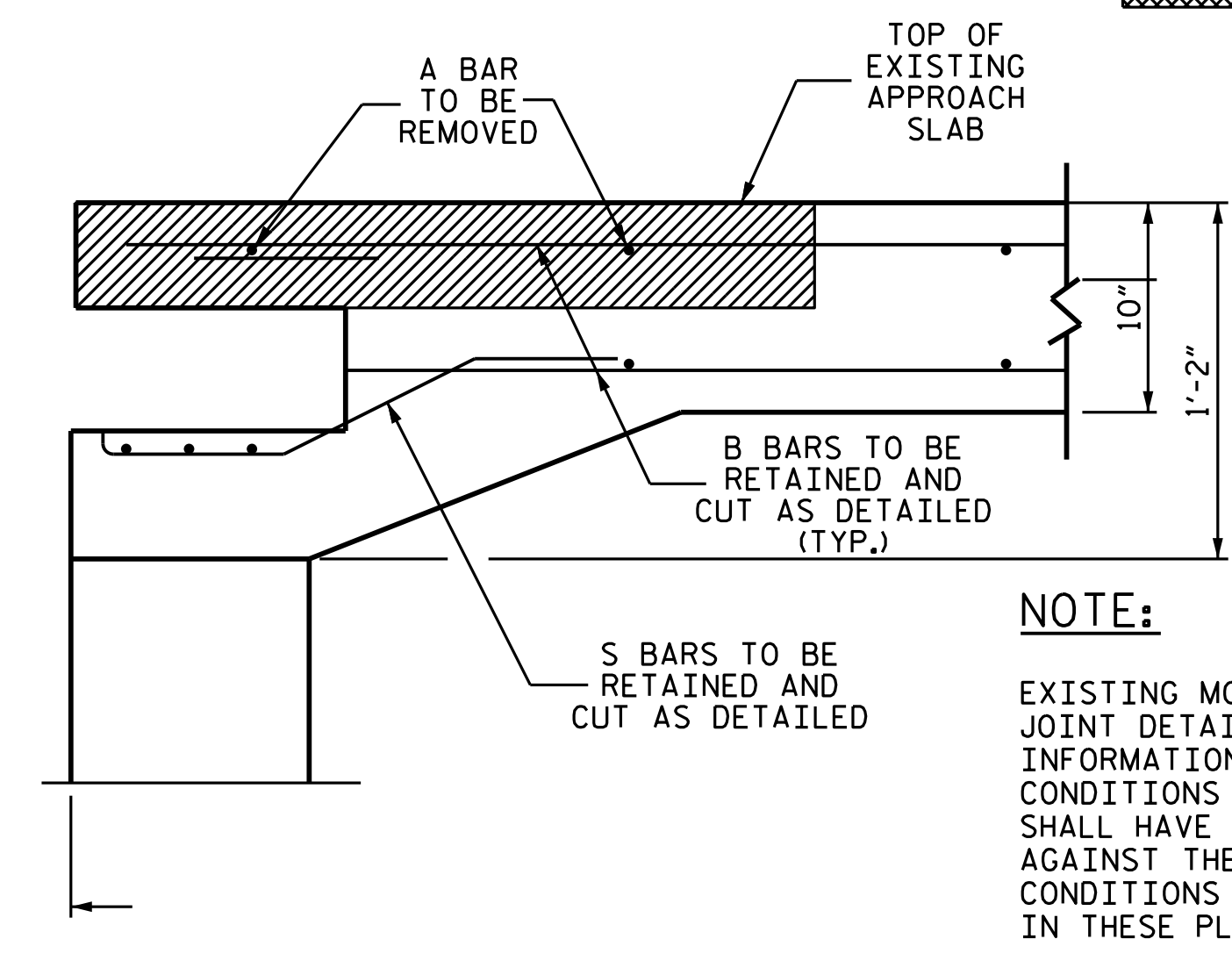


EXISTING MODULAR JOINT
(BETWEEN MODULAR JT. BOXES)



MODULAR JOINT REMOVED
(BETWEEN MODULAR JT. BOXES)



PROPOSED JOINT REPAIR
(BETWEEN MODULAR JT. BOXES)
(THE REINFORCING MAY BE SHIFTED SLIGHTLY)

EXISTING CONCRETE TO BE REMOVED

NEW CONCRETE FOR DECK REPAIR.

* TO BE VERIFIED BY MANUFACTURER

NOTE:

EXISTING MODULAR EXPANSION JOINT DETAIL ARE SHOWN FOR INFORMATION ONLY. ACTUAL FIELD CONDITIONS MAY VARY. THE CONTRACTOR SHALL HAVE NO CLAIM WHATSOEVER AGAINST THE DEPARTMENT IF ACTUAL CONDITIONS VARY FROM WHAT IS SHOWN IN THESE PLANS.

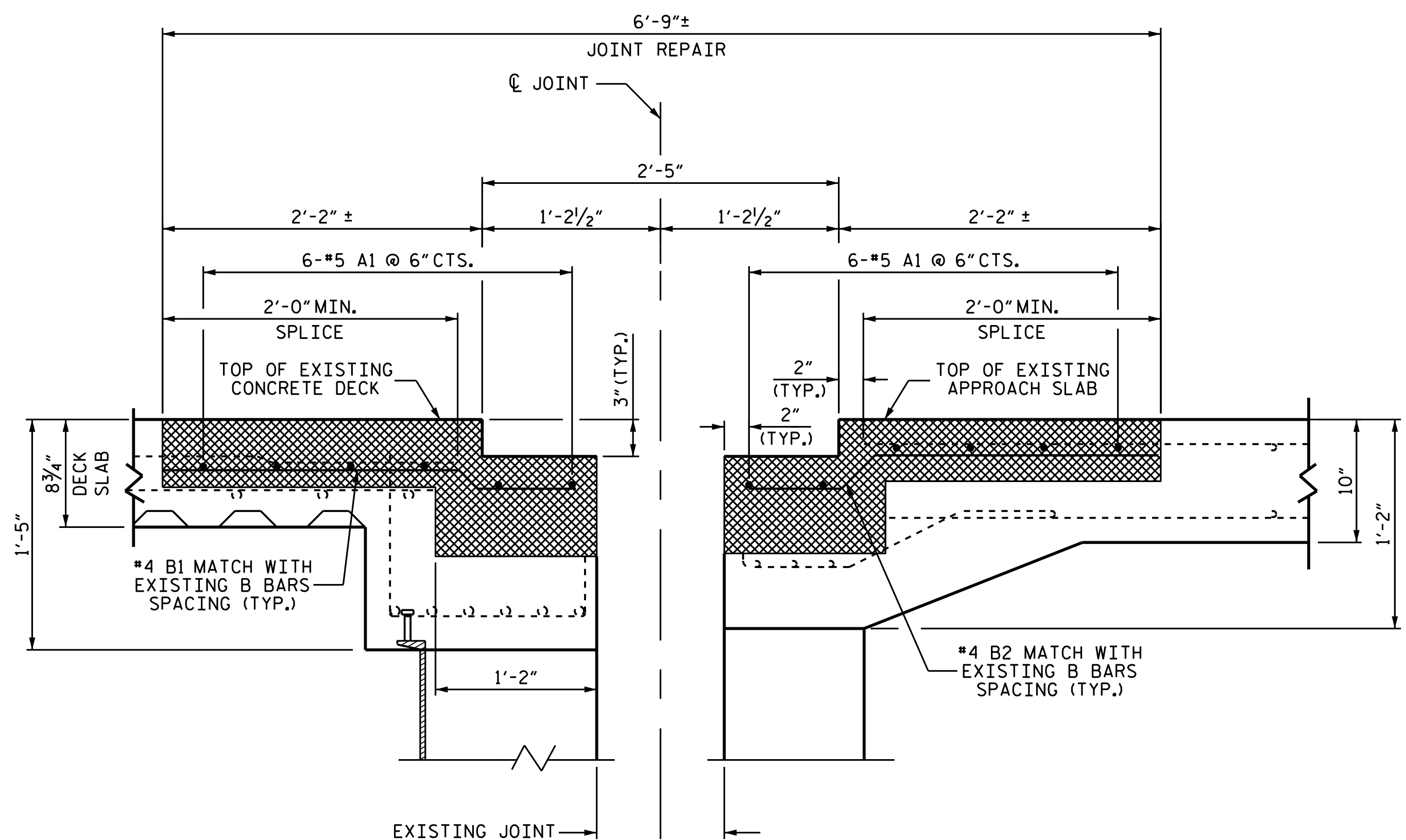
THE CONTRACTOR SHALL HAVE A REPRESENTATIVE FROM THE JOINT MANUFACTURER PRESENT DURING INSTALLATION OF PROPOSED EXPANSION JOINT SEAL.

ALL EXPOSED ENDS OF CUT BARS SHALL BE COATED WITH EPOXY PRIOR TO THE NEW JOINT MATERIAL INSTALLATION.

THE CONTRACTOR SHALL PREPARE THE BOTTOM SURFACE OF BLOCKOUT TO BE PARALLEL WITH THE PLANE OF THE ROADWAY AND PROVIDE A UNIFORM SURFACE.

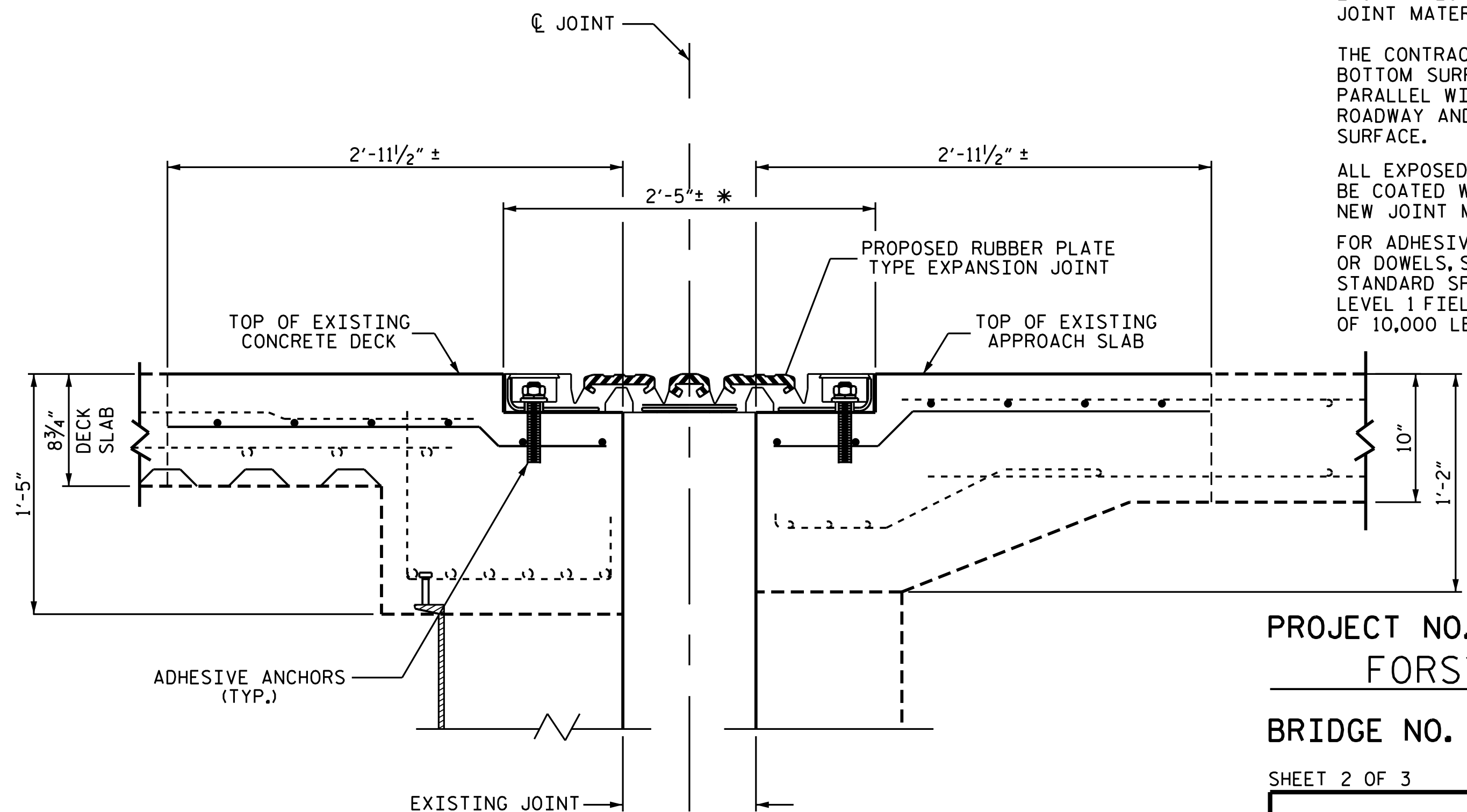
ALL EXPOSED ENDS OF CUT BARS SHALL BE COATED WITH EPOXY PRIOR TO THE NEW JOINT MATERIAL INSTALLATION.

FOR ADHESIVE ANCHORED ANCHOR BOLTS OR DOWELS, SEE ARTICLE 420-13 OF THE STANDARD SPECIFICATIONS. PERFORM LEVEL 1 FIELD TESTING AT A TEST LOAD OF 10,000 LBS.



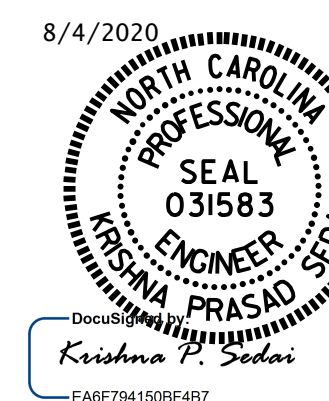
CONCRETE AND REBAR REMOVED
(BETWEEN MODULAR JT. BOXES)

SECTION B-B



PROJECT NO. I-5795
FORSYTH COUNTY
BRIDGE NO. 330444

SHEET 2 OF 3



STATE OF NORTH CAROLINA
DEPARTMENT OF TRANSPORTATION
RALEIGH

**END BENT #2
MODULAR JOINT
REPLACEMENT
END BENT 1 SIMILAR**

DRAWN BY : A. SORSENGINH DATE : 5/2018
CHECKED BY : M. G. SHAIKH DATE : 5/2018

DOCUMENT NOT CONSIDERED
FINAL UNLESS ALL
SIGNATURES COMPLETED

REVISIONS						SHEET NO.
NO.	BY:	DATE:	NO.	BY:	DATE:	TOTAL SHEETS
1			3			17-07
2			4			10