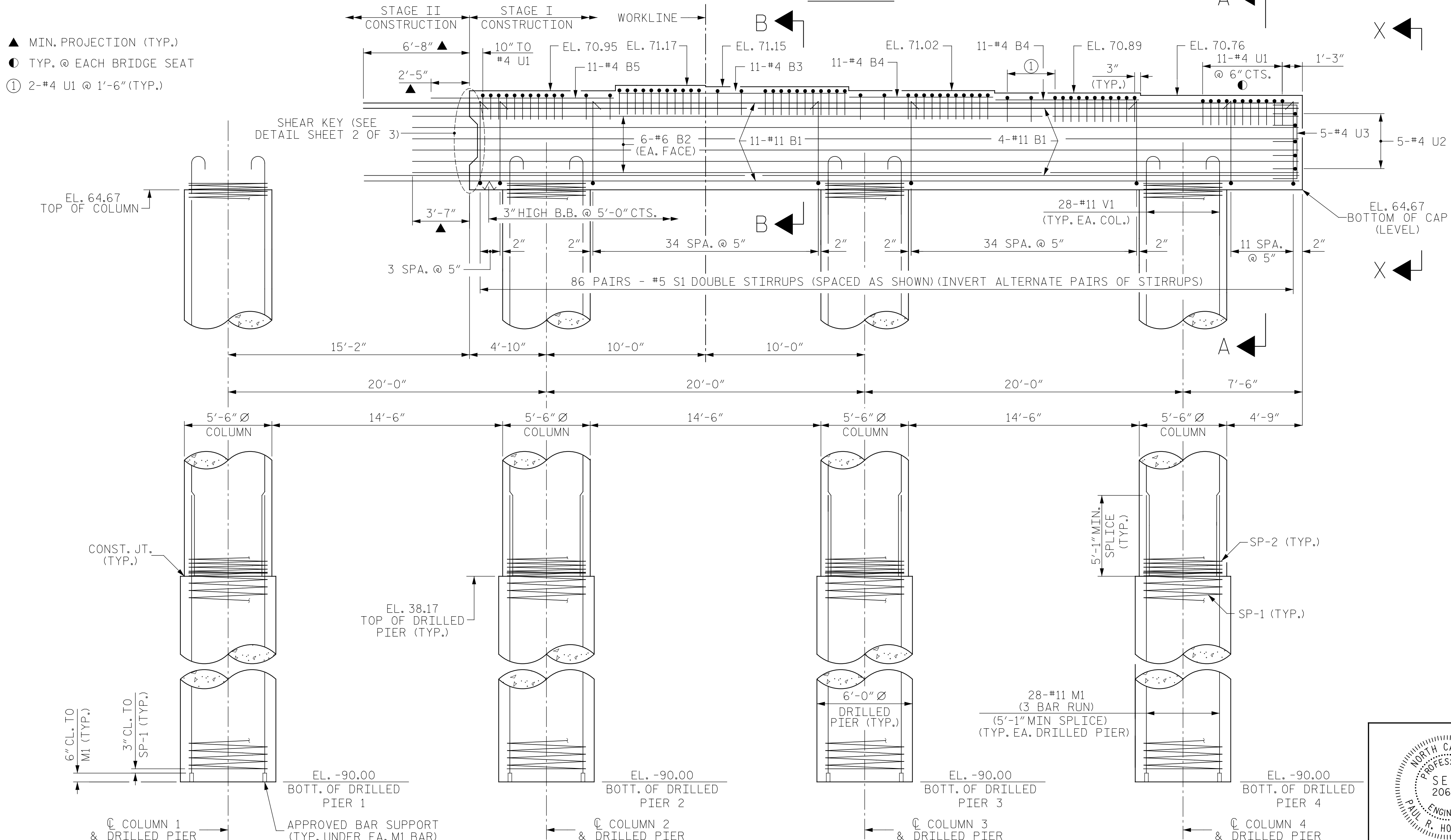
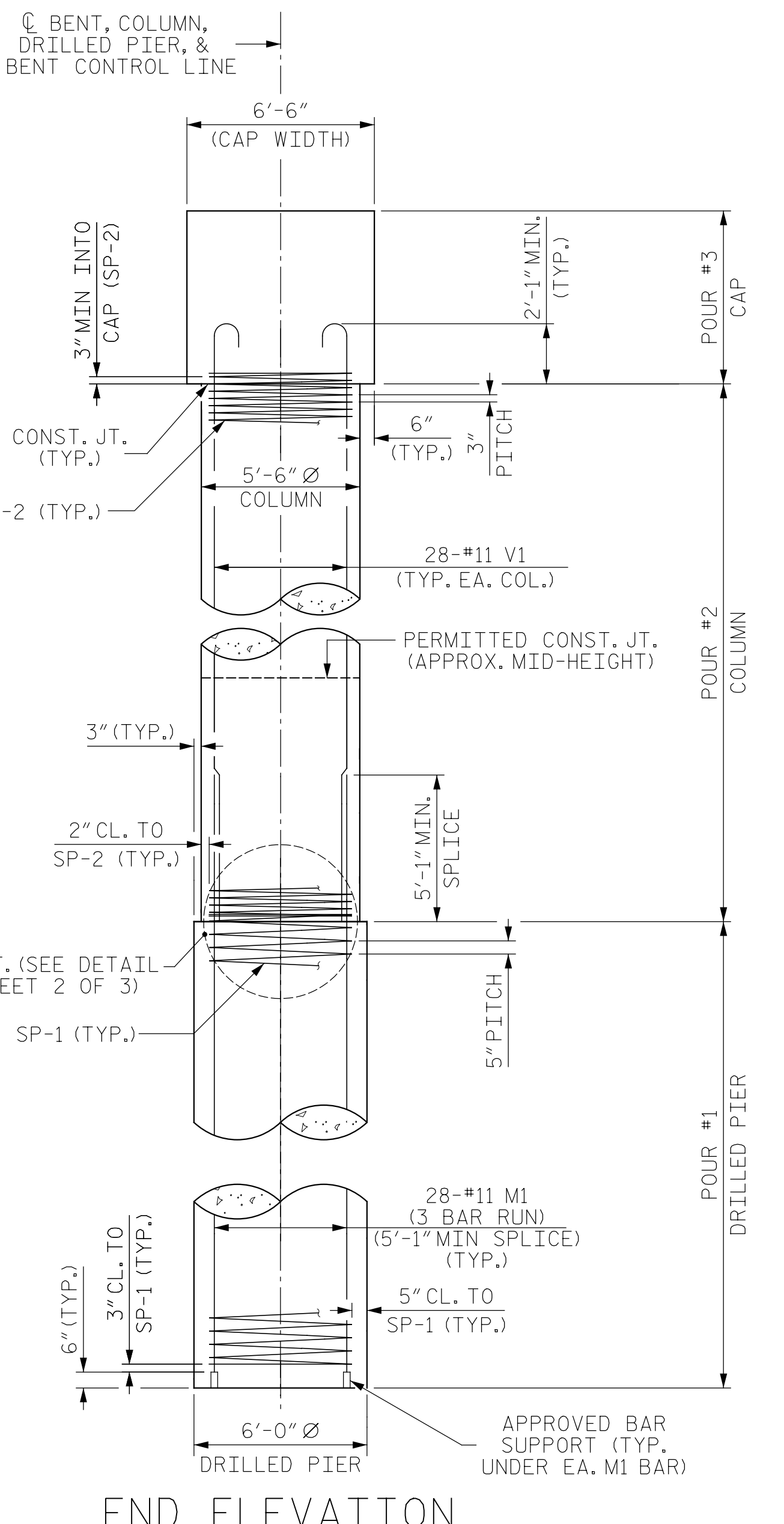


NOTES:

FOR "SECTION A-A" AND "SECTION B-B", SEE SHEET 3 OF 3.

FOR "VIEW X-X", SEE SHEET 3 OF 3

FOR NOTES, SEE SHEET 3 OF 3.



EL. 64.67 TOP OF COLUMN

EL. 38.17 TOP OF DRILLED PIER (TYP.)

EL. -90.00 BOTT. OF DRILLED PIER 1, 2, 3, 4

APPROVED BAR SUPPORT (TYP. UNDER EA. M1 BAR)

CL. COLUMN 1 & DRILLED PIER, COLUMN 2 & DRILLED PIER, COLUMN 3 & DRILLED PIER, COLUMN 4 & DRILLED PIER

28-#11 M1 (3 BAR RUN) (5'-1" MIN SPLICE) (TYP. EA. DRILLED PIER)

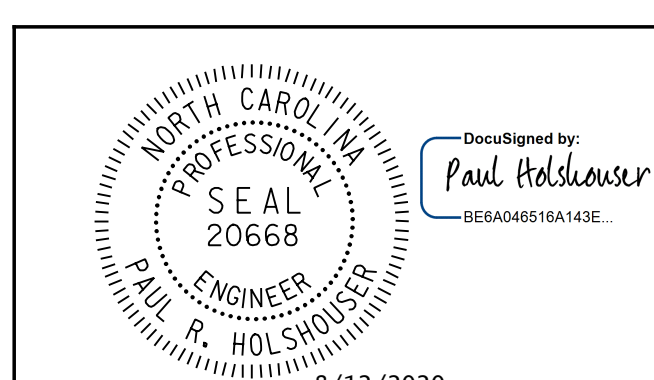
PROJECT NO. 48793.3.1

BLADEN COUNTY

STATION: 118+81.78 -L-

SHEET 1 OF 3

STATE OF NORTH CAROLINA DEPARTMENT OF TRANSPORTATION RALEIGH					
SUBSTRUCTURE					
BENT 7 PLAN & ELEVATION					
STAGE I CONSTRUCTION					
REVISIONS					
NO.	BY:	DATE:	NO.	BY:	DATE:
1			3		
2			4		
SHEET NO. S-91					TOTAL SHEETS 107



ICE of CAROLINAS, PLLC

4505 Falls of Neuse Road, Suite 110
Raleigh, North Carolina 27609
Phone: 919-822-0333
License #: P-0999

Pen Table: \\192.168.64.12\icardu\RDUCAD\Plotting\Pen Tables\ICE.NC.Struct.tbl
Print Driver: \\192.168.64.12\icardu\RDUCAD\Plotting\NGD0T\22x34_PDF_ICE.pltcfgr
User: jmaustn
File: R:\Projects\19-77 Division 6 On Call\02 US 701 over Cape Fear River\NCDOT\Structures\Dwgs\Final\401_091_US_701_SMU_BTT_01.dgn
Plot: 8/11/2020 10:10:17 PM

DRAWN BY: B. J. MANTEI DATE: 5-17-20
CHECKED BY: N. D'AIUTO DATE: 7-17-20
DESIGN E.O.R.: P. R. HOLSHOUSER DATE: 7-23-20

ALL DIMENSIONS AND DETAILS SHOWN FOR DRILLED PIERS ARE TYPICAL FOR EACH PIER UNLESS OTHERWISE NOTED.

DOCUMENT NOT CONSIDERED FINAL UNLESS ALL SIGNATURES COMPLETED