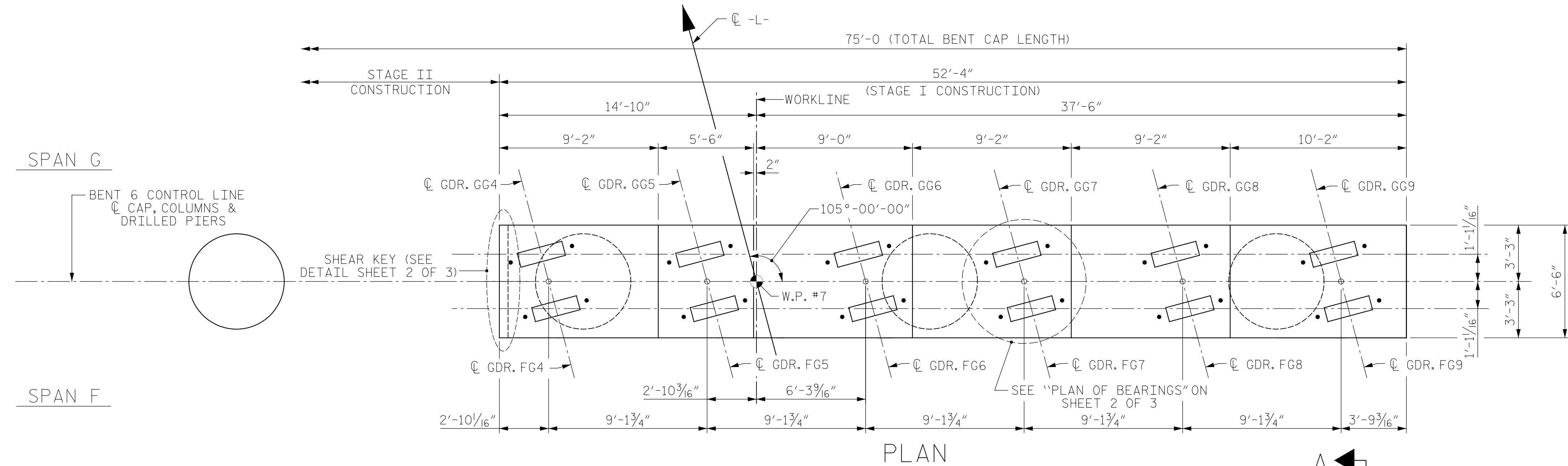
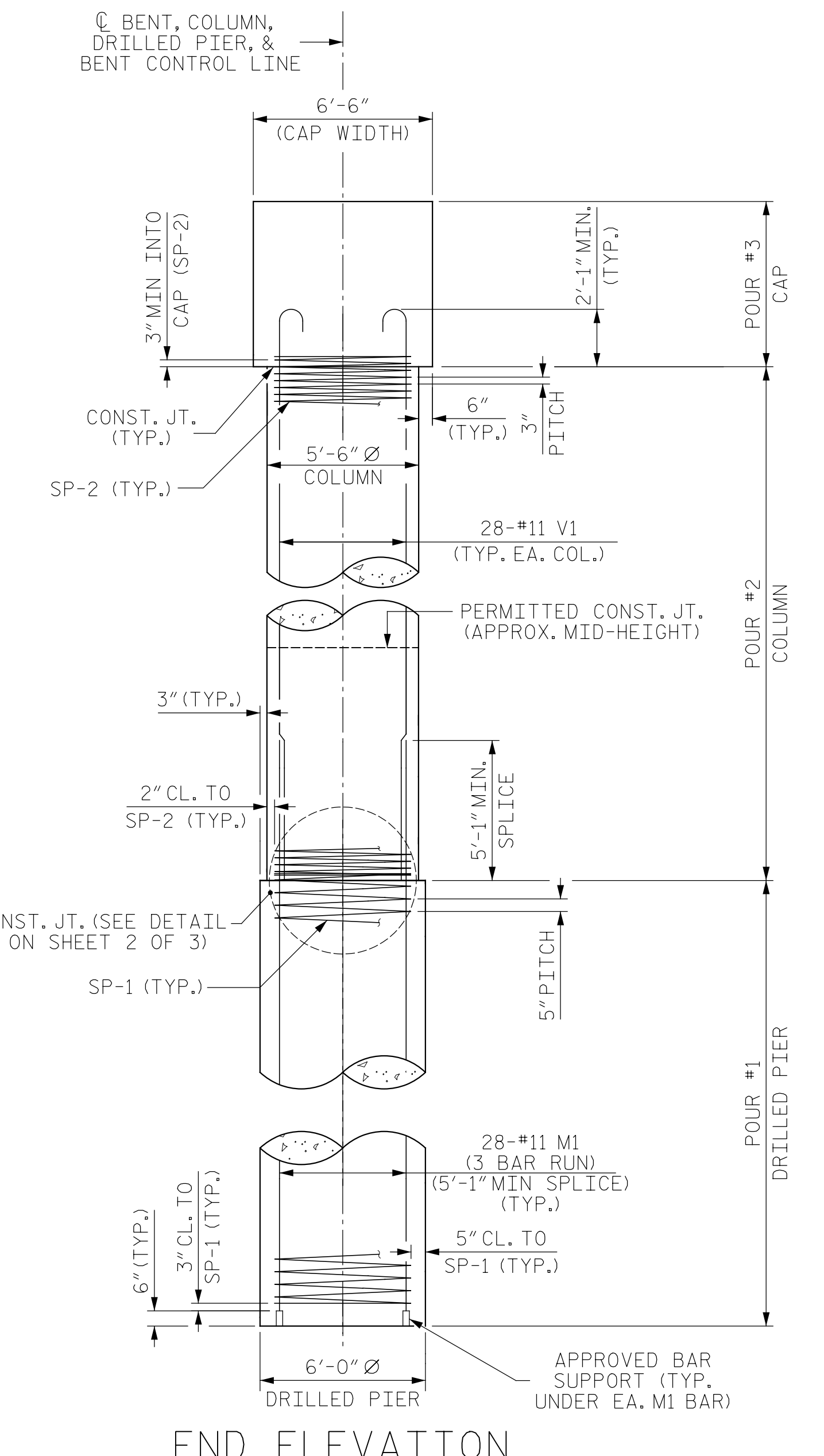
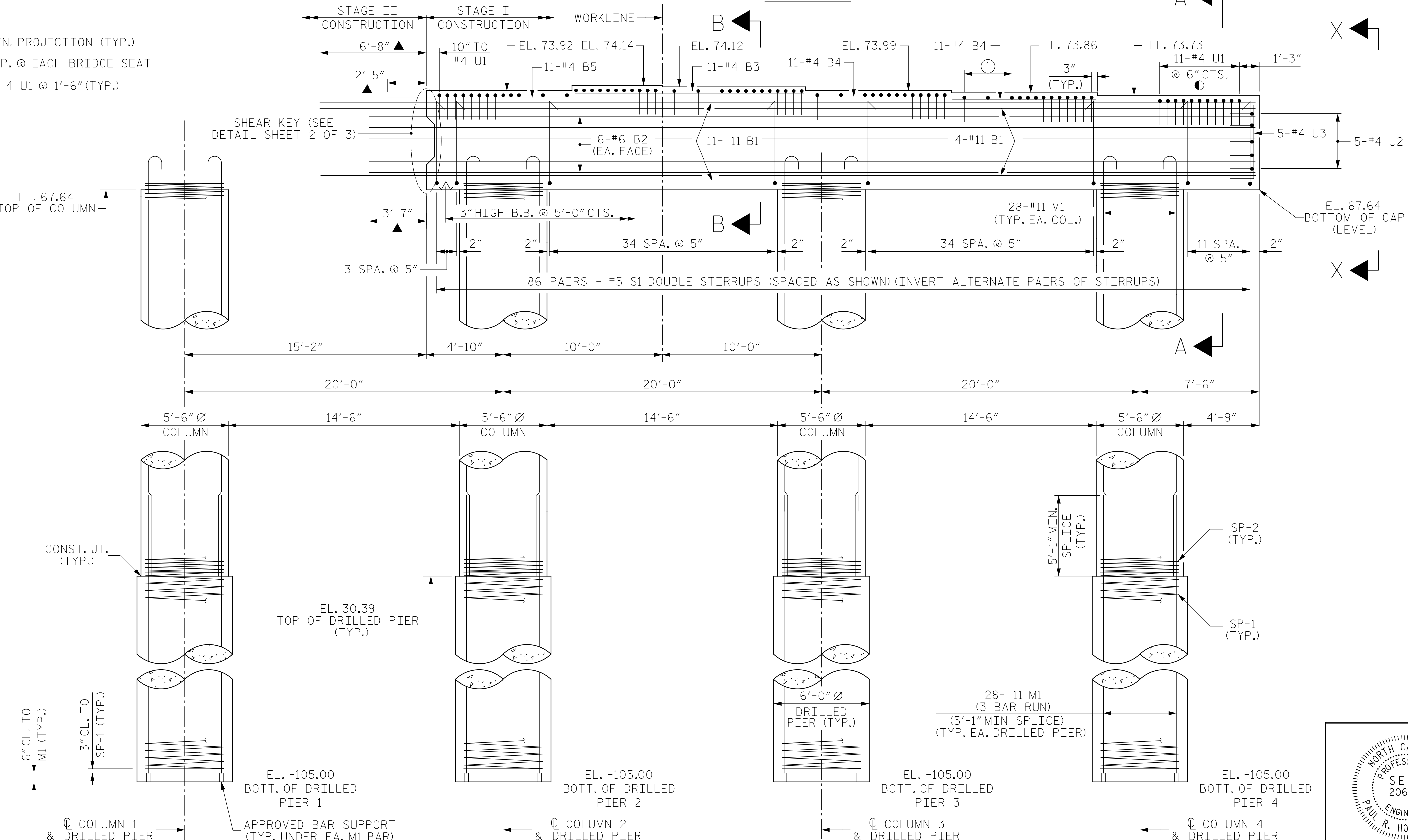


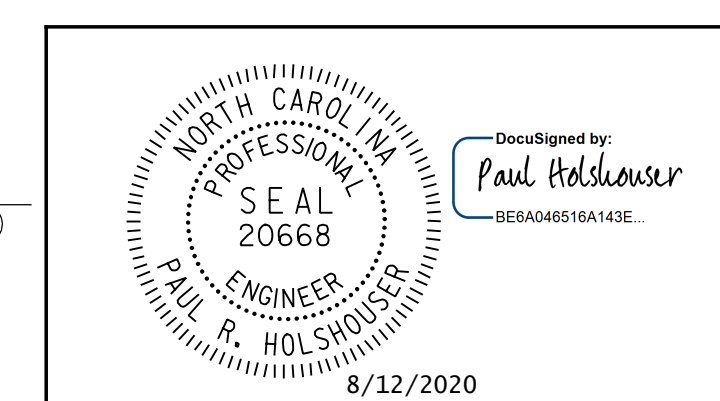
NOTES:
FOR "SECTION A-A" AND "SECTION B-B", SEE SHEET 3 OF 3.
FOR "VIEW X-X", SEE SHEET 3 OF 3
FOR NOTES, SEE SHEET 3 OF 3.



- ▲ MIN. PROJECTION (TYP.)
- TYP. @ EACH BRIDGE SEAT
- ① 2-#4 U1 @ 1'-6" (TYP.)



PROJECT NO. 48793.3.1
BLADEN COUNTY
STATION: 118+81.78 -L-
SHEET 1 OF 3



ICE of Carolinas, PLLC 4505 Falls of Neuse Road, Suite 110 Raleigh, North Carolina 27609 Phone: 919-822-0333 License #: P-0999		REVISIONS		SHEET NO.	
NO.	BY:	DATE:	NO.	BY:	DATE:
1			3		
2			4		
				S-88	
				TOTAL SHEETS 107	

Pen Table: \\192.168.64.12\icardu\RDUCAD\Plotting\Pen Tables\ICE_NC_S\Struct.tbl
Print Driver: \\192.168.64.12\icardu\RDUCAD\Plotting\NGD0T\22x34_PDF_ICE.plt
User: jmaust
File: R:\Projects\19-77 Division 6 On Call\02 US 701 over Cape Fear River\NCDOT\Structures\Dwgs\Final\401_088_US_701_SWL_BT6_01.dgn
Plot Date: 8/11/2020 10:10:10 PM

DRAWN BY: B. J. MANTEI DATE: 5-17-20
CHECKED BY: N. D'AIUTO DATE: 7-17-20
DESIGN E.O.R.: P. R. HOLSHOUSER DATE: 7-23-20

ALL DIMENSIONS AND DETAILS SHOWN FOR DRILLED PIERS ARE TYPICAL FOR EACH PIER UNLESS OTHERWISE NOTED.

DOCUMENT NOT CONSIDERED FINAL UNLESS ALL SIGNATURES COMPLETED