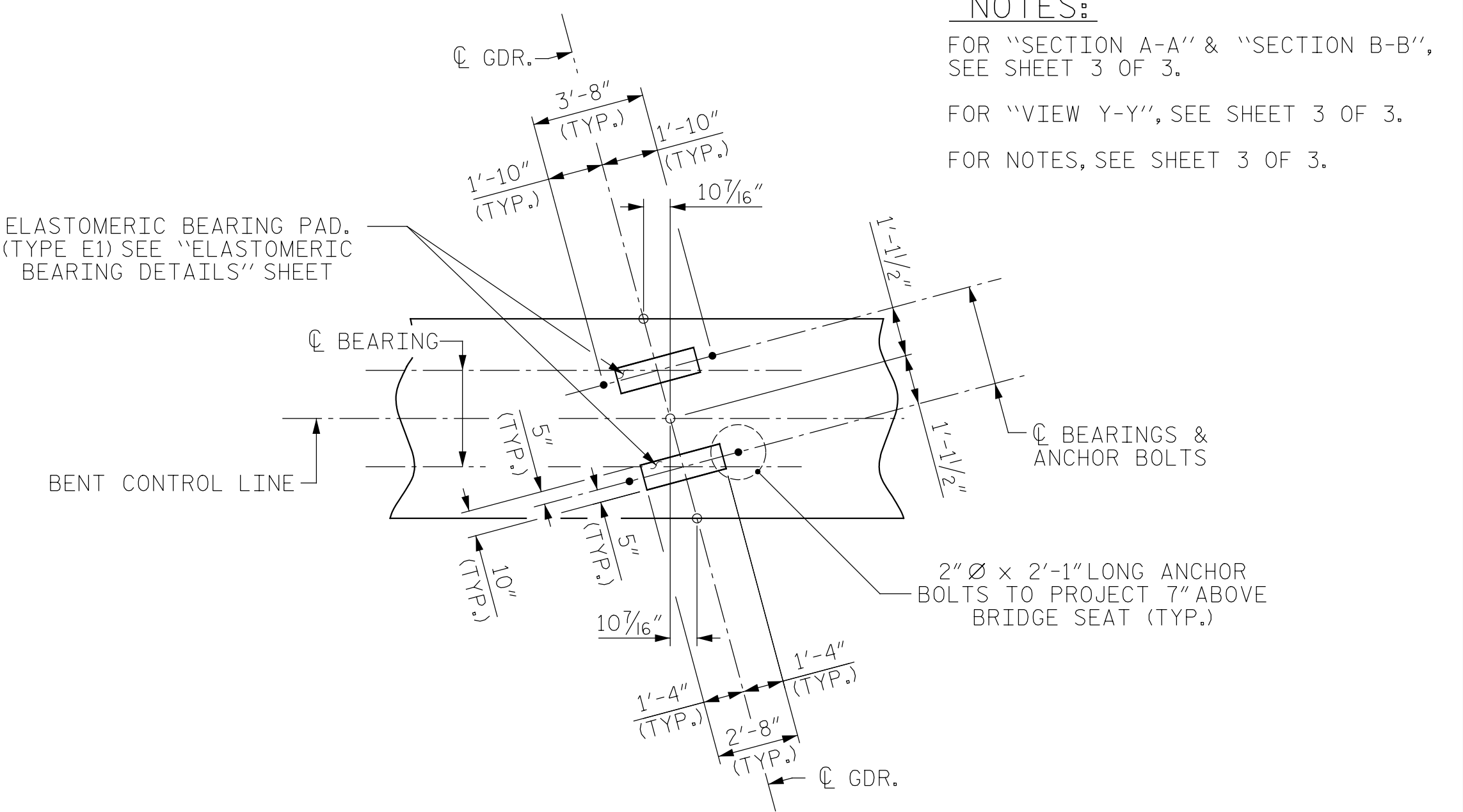


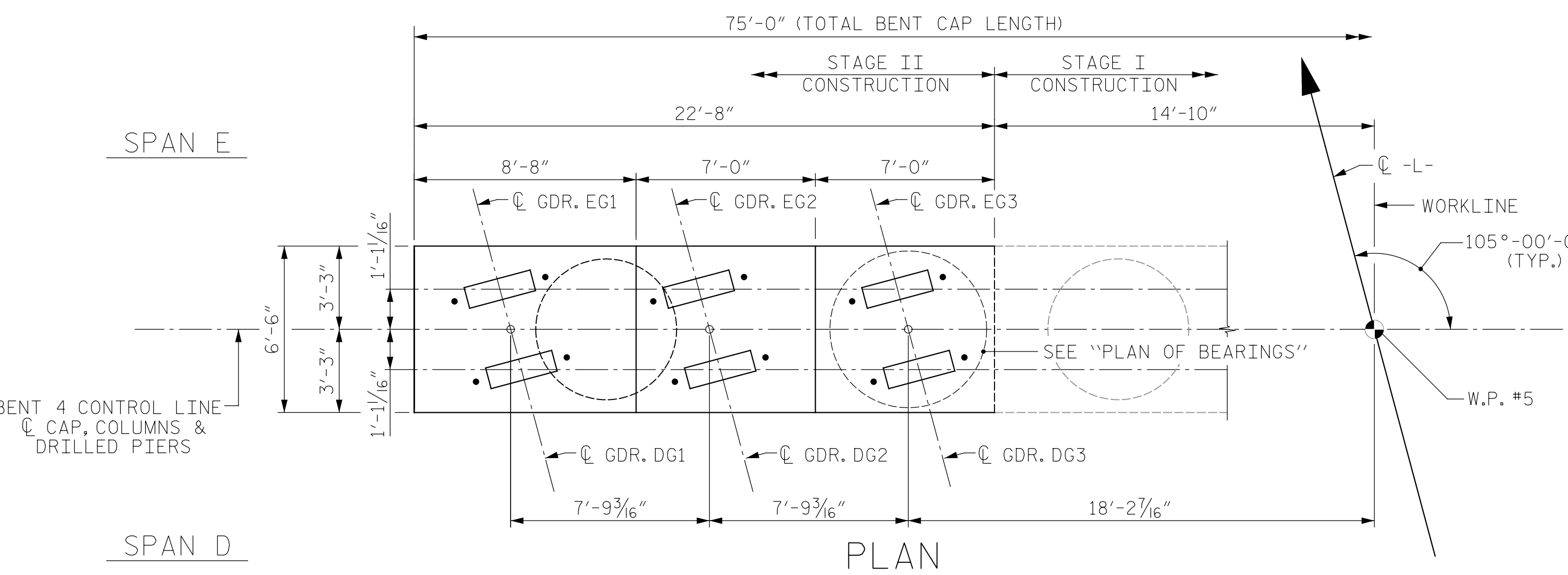
PLAN OF DRILLED PIERS

ALL DIMENSIONS AND DETAILS SHOWN ARE TYPICAL FOR DRILLED PIERS UNLESS NOTED OTHERWISE

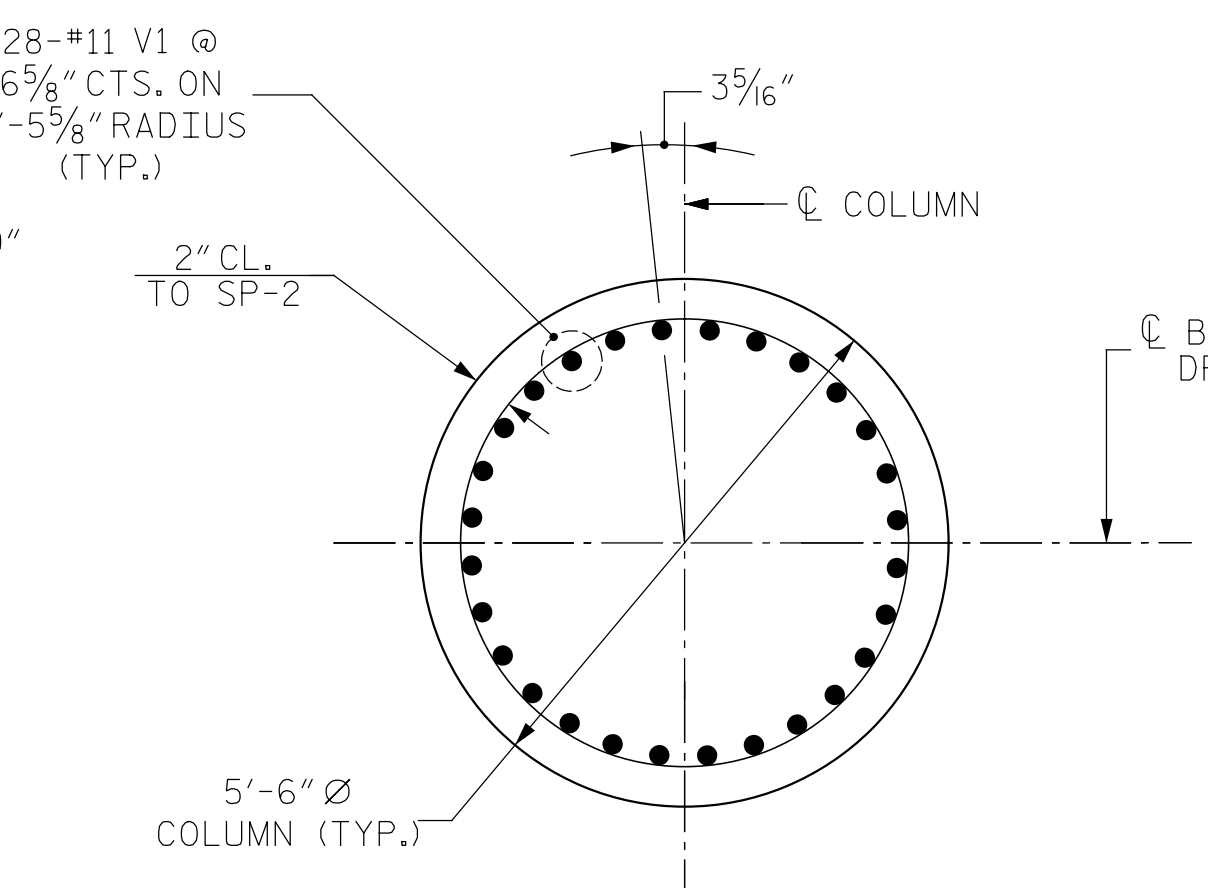


PLAN OF BEARINGS

ALL DIMENSIONS AND DETAILS SHOWN ARE TYPICAL FOR ALL BEARINGS @ EACH BRIDGE SEAT LOCATION.

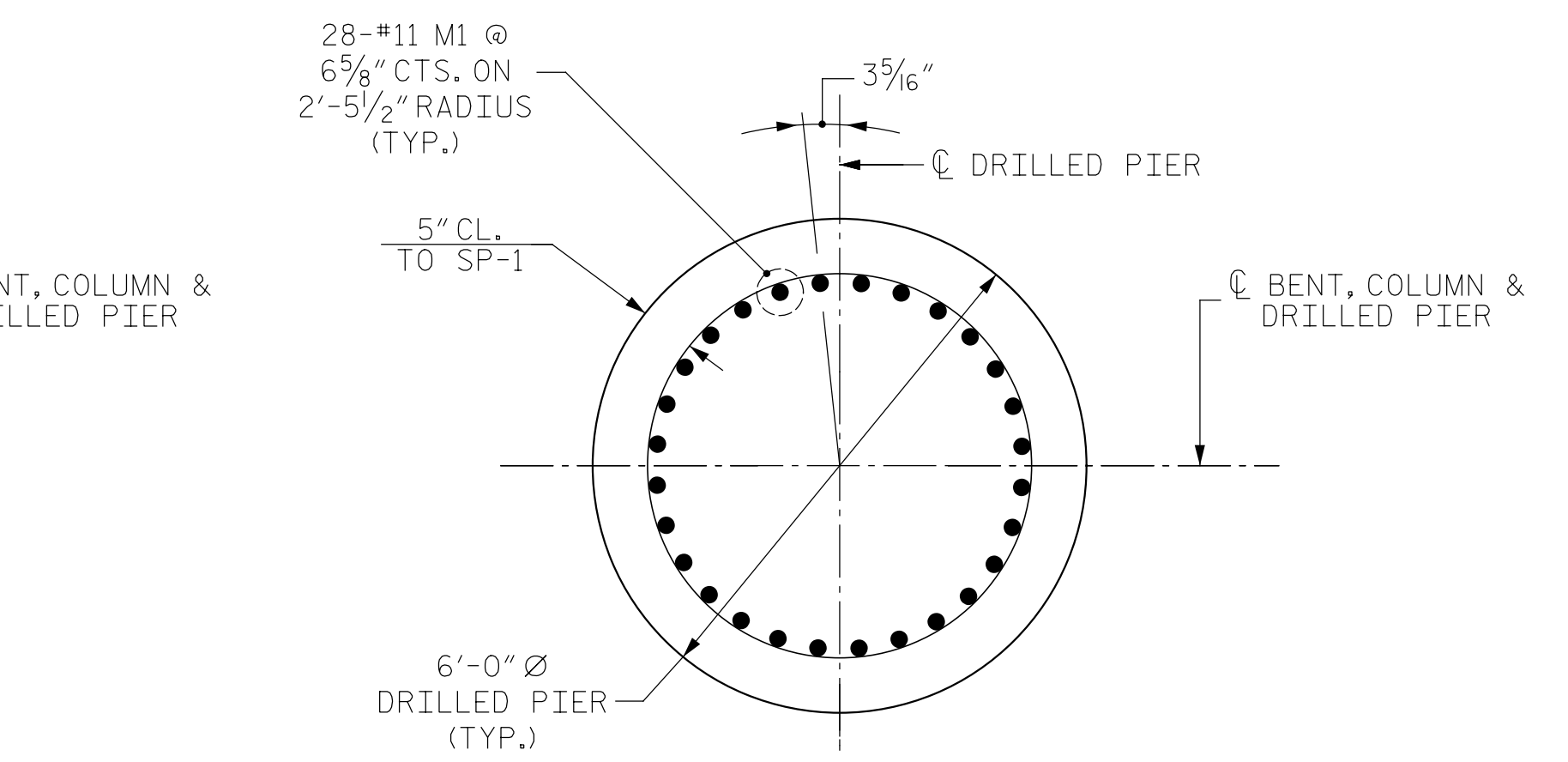


PLAN



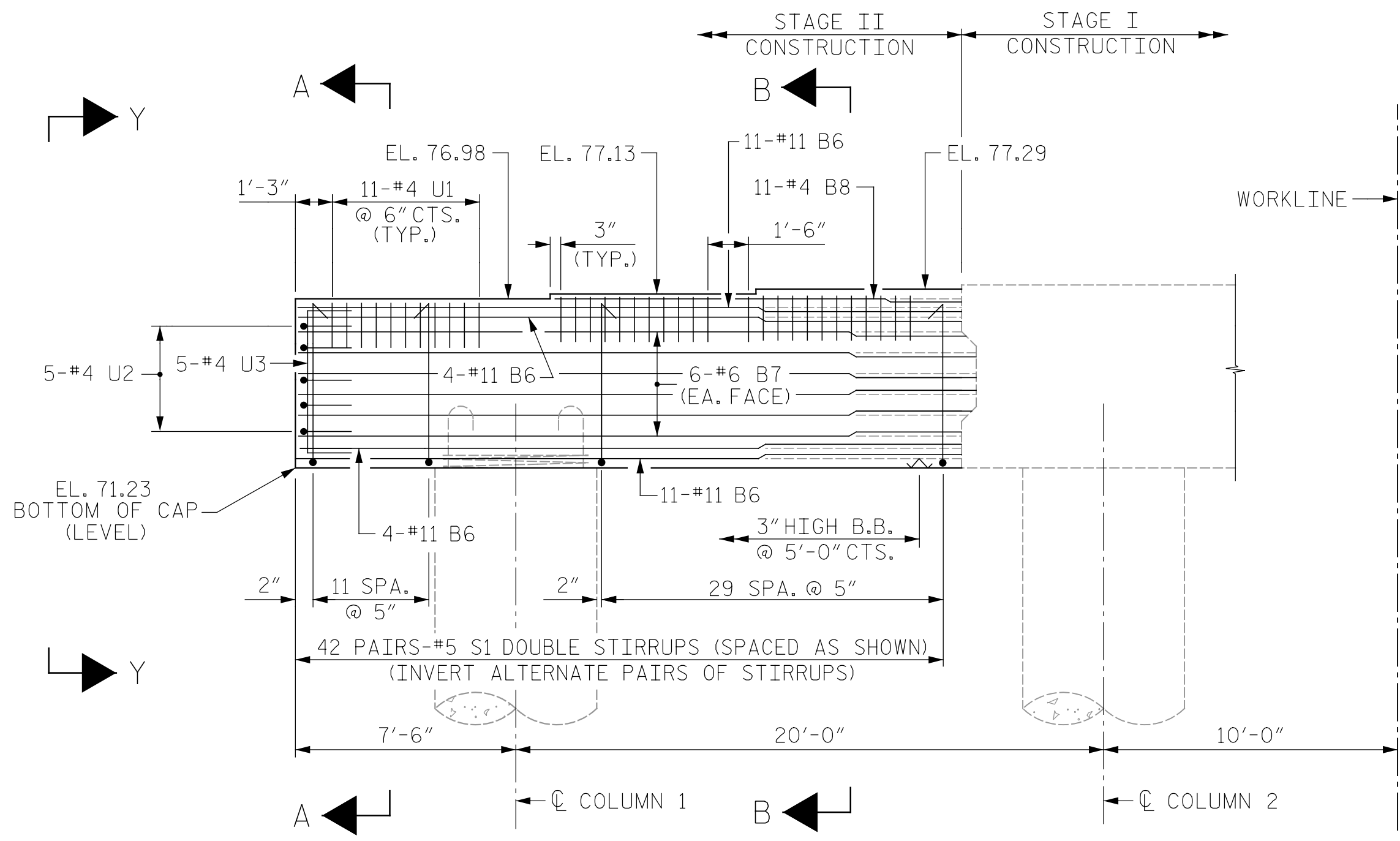
SECTION THRU COLUMN

(TYP. EA. COLUMN)

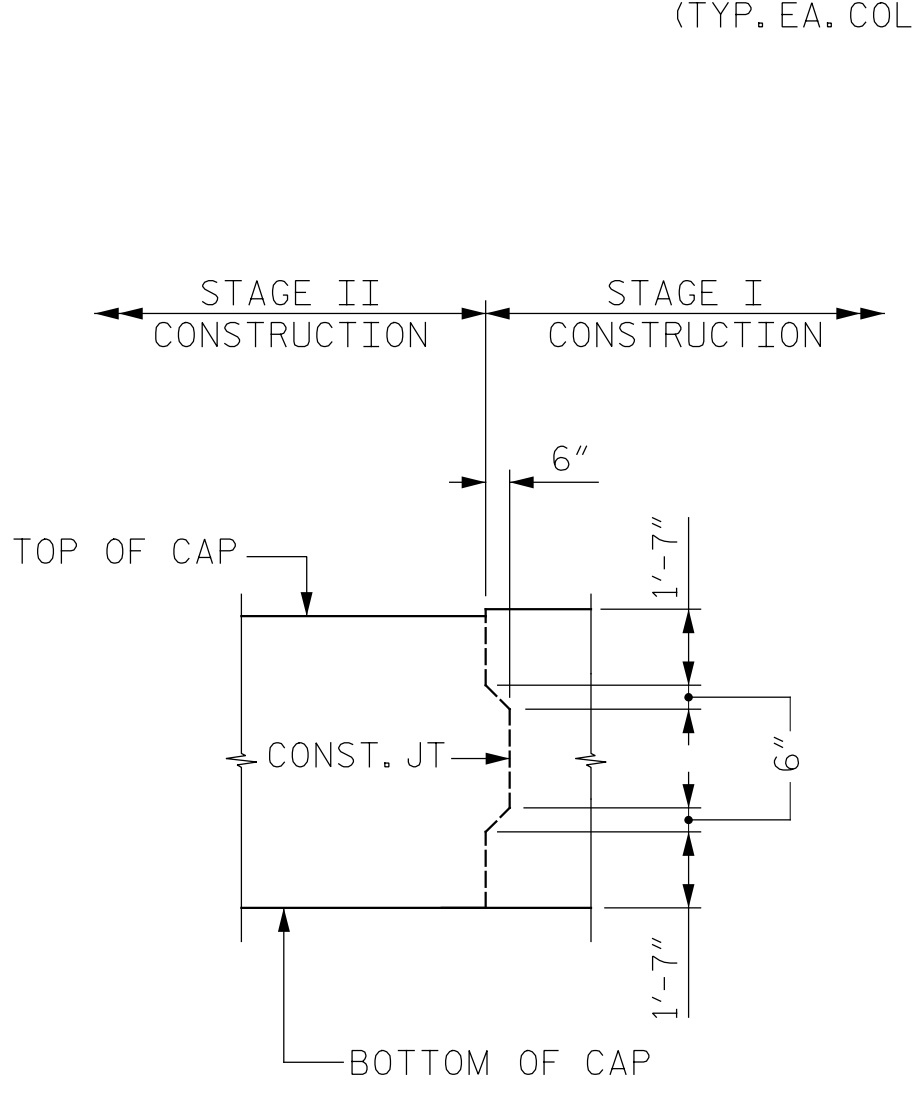


SECTION THRU DRILLED PIER

(TYP. EA. DRILLED PIER)

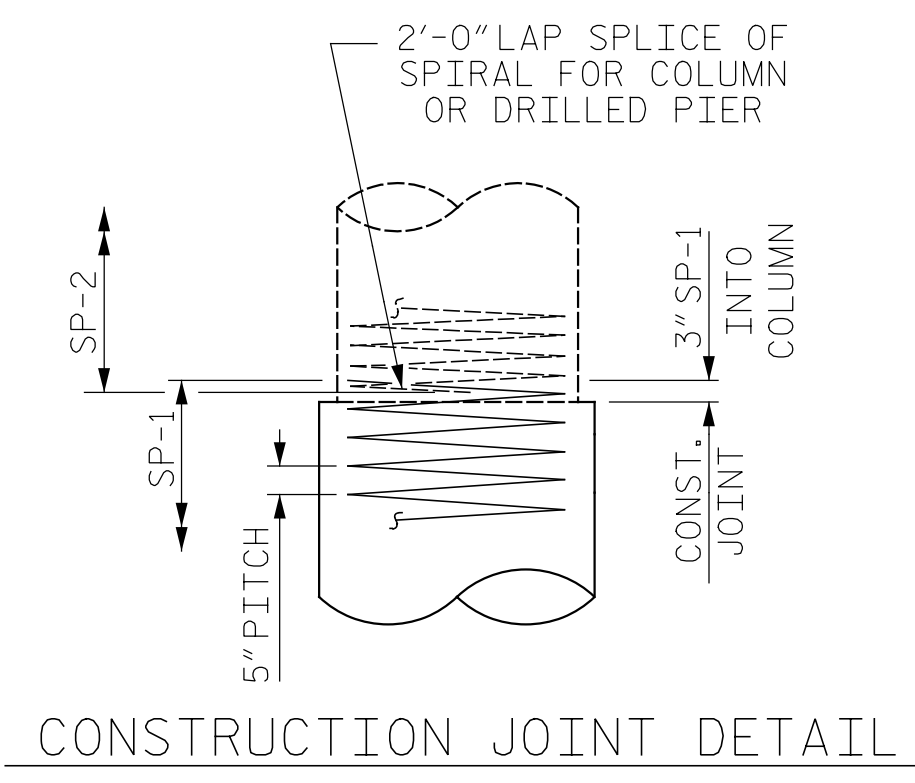


ELEVATION



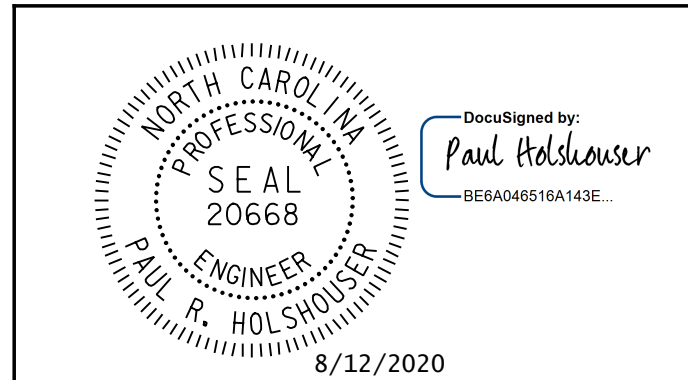
SHEAR KEY DETAIL

REINFORCING STEEL NOT SHOWN FOR CLARITY. SEE ELEVATION VIEW FOR LOCATION OF SHEAR KEY. REINFORCING STEEL SHALL BE CONTINUOUS THRU SHEAR KEY.



CONSTRUCTION JOINT DETAIL

PROJECT NO. 48793.3.1
 BLADEN COUNTY
 STATION: 118+81.78 -L-
 SHEET 2 OF 3



STATE OF NORTH CAROLINA DEPARTMENT OF TRANSPORTATION RALEIGH					
SUBSTRUCTURE					
BENT 4 DETAILS					
REVISIONS					
NO.	BY:	DATE:	NO.	BY:	DATE:
1			3		
2			4		

ICE of Carolinas, PLLC
 4505 Falls of Neuse Road, Suite 110
 Raleigh, North Carolina 27609
 Phone: 919-822-0333
 License #: P-0999

SHEET NO. S-83	
TOTAL SHEETS 107	

Pen Table: \\192.168.64.12\ncerdur\RDUCAD\Plotting\Pen Tables\ICE_NC_S\Struct.tbl
 Print Driver: \\192.168.64.12\ncerdur\RDUCAD\Plotting\NGD0T\22x34_PDF_ICE.pltcfgr
 User: jmaust
 File: R:\Projects\19-77 Division 6 On Call\02 US 701 over Cape Fear River\NCDOT\Structures\Drawings\Final\401-083_US_701_SWL_BT4_02.dgn
 Plot Date: 8/11/2020 10:09:53 PM
 Plotter: R:\Projects\19-77 Division 6 On Call\02 US 701 over Cape Fear River\NCDOT\Structures\Drawings\Final\401-083_US_701_SWL_BT4_02.dgn

DRAWN BY: B. J. MANTEI DATE: 5-19-20
 CHECKED BY: N. D'AIUTO DATE: 7-17-20
 DESIGN E.O.R.: P. R. HOLSHOUSER DATE: 7-23-20

DOCUMENT NOT CONSIDERED FINAL
 UNLESS ALL SIGNATURES COMPLETED