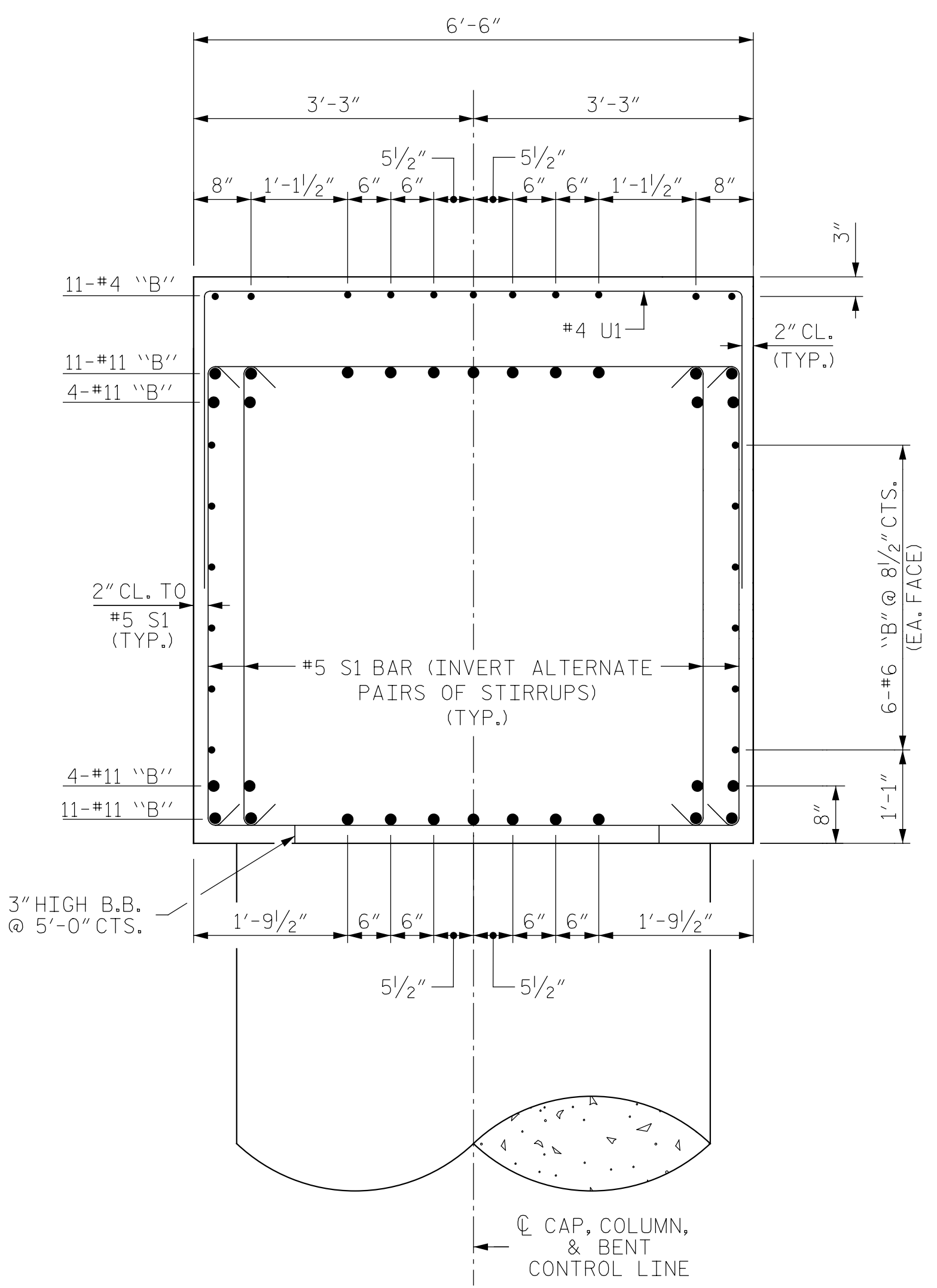
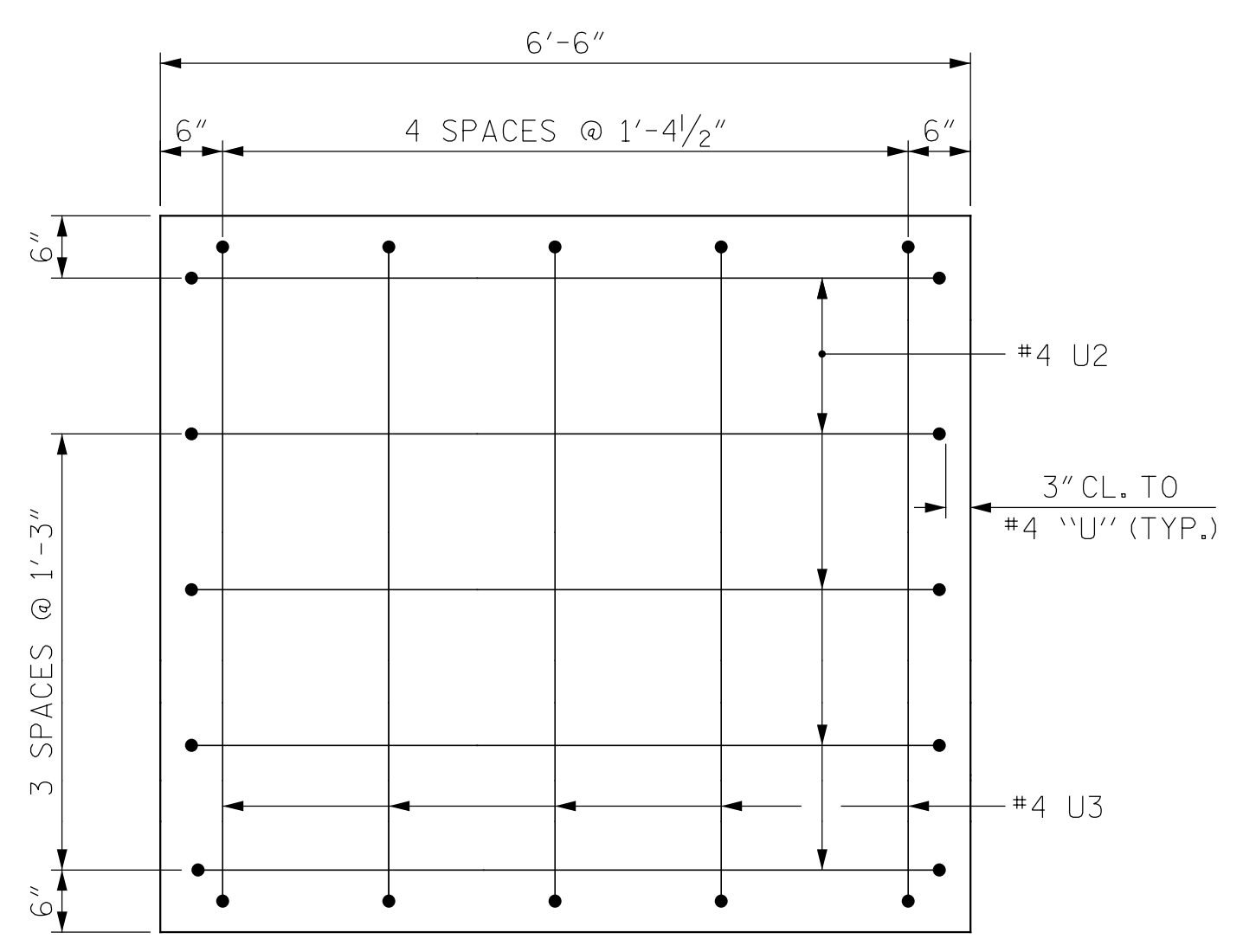


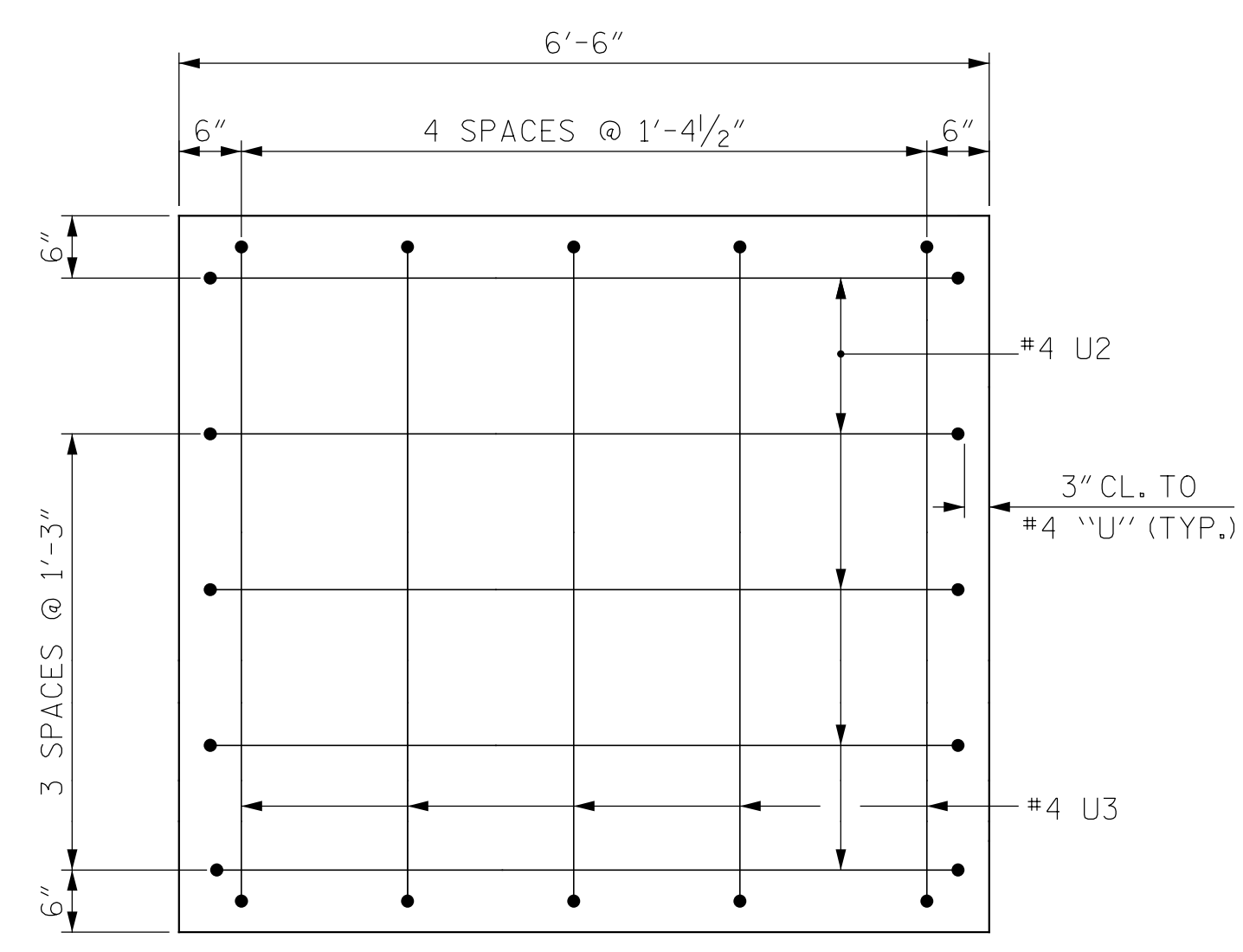
SECTION A-A



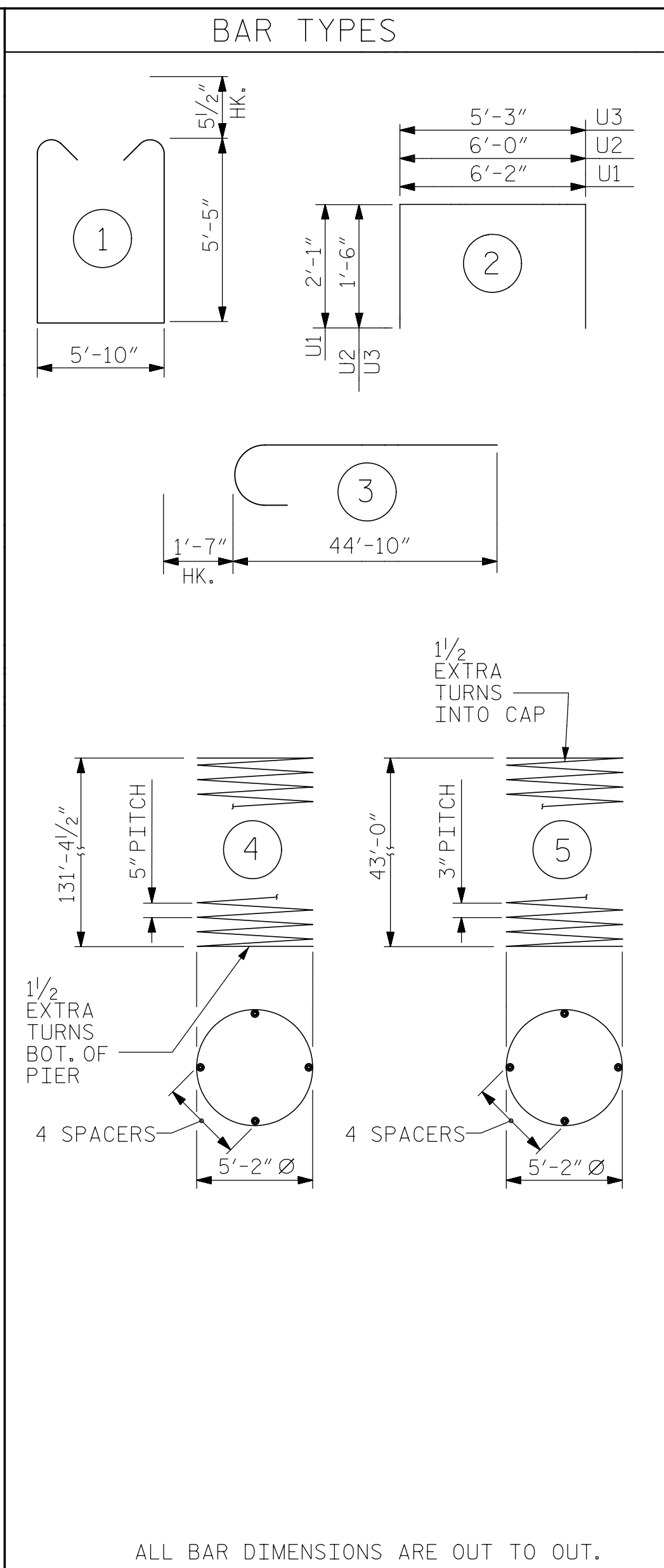
SECTION B-B
(STEPS NOT SHOWN FOR CLARITY)



VIEW X-X
(STAGE I CONSTRUCTION)



VIEW Y-Y
(STAGE II CONSTRUCTION)



ALL BAR DIMENSIONS ARE OUT TO OUT.

BILL OF MATERIAL												
BENT 2 - STAGE I					BENT 2 - STAGE II							
BAR NO.	SIZE	TYPE	LENGTH	WEIGHT	BAR NO.	SIZE	TYPE	LENGTH	WEIGHT			
B1	30	11	STR	58' - 9"	9,364	B6	30	11	STR	22' - 5"	3,573	
B2	12	6	STR	55' - 9"	1,005	B7	12	6	STR	22' - 6"	406	
B3	11	4	STR	14' - 4"	105	B8	11	4	STR	13' - 10"	102	
B4	22	4	STR	9' - 0"	132							
B5	11	4	STR	11' - 6"	85	S1	84	5	1	17' - 7"	1,541	
M1	336	11	STR	49' - 11"	89,110	U1	35	4	2	10' - 4"	242	
S1	172	5	1	17' - 7"	3,154	U2	5	4	2	9' - 0"	30	
						U3	5	4	2	8' - 3"	28	
U1	74	4	2	10' - 4"	511	REINFORCING STEEL		LBS.	5,922			
U2	5	4	2	9' - 0"	30	CLASS "A" CONCRETE BREAKDOWN						
U3	5	4	2	8' - 3"	28	V1	112	11	3	46' - 5"	27,620	
*SP-1	4	5	4	5090' - 1"	21,236	POUR #3 - CAP		C.Y.	33.0			
**SP-2	4	4	5	2791' - 0"	7,458	TOTAL CLASS "A" CONCRETE C.Y. 33.0						
REINFORCING STEEL				LBS.	131,144	SPIRAL COLUMN REINFORCING STEEL						
SPIRAL COLUMN REINFORCING STEEL				LBS.	28,694	CLASS "A" CONCRETE BREAKDOWN						
POUR #2 - COLUMNS				C.Y.	150.5	POUR #3 - CAP				C.Y.	76.6	
TOTAL CLASS "A" CONCRETE				C.Y.	227.1	DRILLED PIERS						
POUR #1 - DRILLED PIERS				C.Y.	552.3	6'-0" Ø DRILLED PIERS LIN. FT.				527.4		
PERMANENT STEEL CASING FOR 6'-0" Ø DRILLED PIERS				LIN. FT.	95.4	SID INSPECTIONS					EA.	2
CSL TUBES				LIN. FT.	3236.6	CSL TESTING					EA.	4

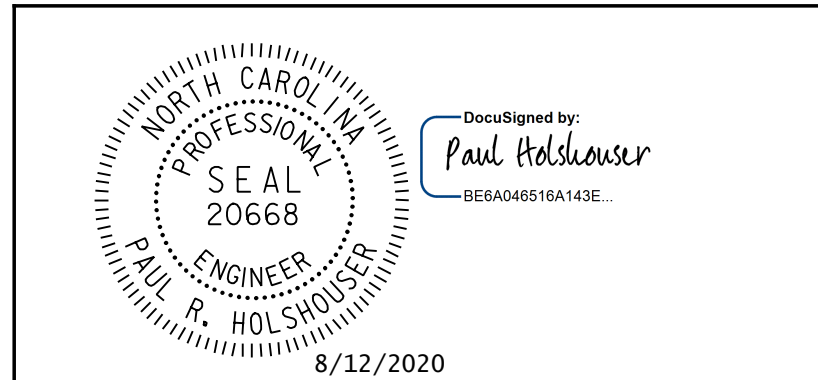
NOTES:

- * THE SP-1 SPIRAL REINFORCING STEEL SHALL BE W31 OR D31 COLD DRAWN WIRE OR #5 PLAIN OR DEFORMED BAR.
- ** THE SP-2 SPIRAL REINFORCING STEEL SHALL BE W20 OR D20 COLD DRAWN WIRE OR #4 PLAIN OR DEFORMED BAR.
- THE CONTRACTOR'S ATTENTION IS CALLED TO THE FACT THAT THE LONGITUDINAL REINFORCEMENT FOR THE DRILLED PIERS IS DETAILED WITH 3 FEET OF EXTRA LENGTH.
- ALL STEEL IN THE DRILLED PIERS IS INCLUDED IN THE PAY ITEMS FOR "REINFORCING STEEL" AND "SPIRAL COLUMN REINFORCING STEEL."
- STIRRUPS IN CAP MAY BE SHIFTED AS NECESSARY TO CLEAR ANCHOR BOLTS.
- HOOKS ON "V" BARS MAY BE TURNED AS NECESSARY FOR PLACING REINFORCING STEEL.
- THE LOCATION OF THE CONSTRUCTION JOINT IN THE DRILLED PIERS IS BASED ON AN APPROXIMATE GROUND LINE ELEVATION. IF THE CONSTRUCTION JOINT IS ABOVE THE ACTUAL GROUND ELEVATION, THE CONTRACTOR SHALL PLACE THE CONSTRUCTION JOINT 1 FT. BELOW THE GROUND LINE.
- FOR ADDITIONAL FOUNDATION NOTES, SEE "GENERAL DRAWING," SHEET 4 OF 7.
- THE CONTRACTOR HAS THE OPTION TO POUR THE ENTIRE CAP IN STAGE I. NO PARTIAL DEMOLITION OF THE EXISTING BRIDGE 080017 WILL BE ALLOWED.

PROJECT NO. 48793.3.1
BLADEN COUNTY
STATION: 118+81.78 -L-

SHEET 3 OF 3

STATE OF NORTH CAROLINA
DEPARTMENT OF TRANSPORTATION
RALEIGH
SUBSTRUCTURE
BENT 2
SECTION & DETAILS



DRAWN BY : B. J. MANTEI DATE : 5-20-20
CHECKED BY : N. D'AIUTO DATE : 7-17-20
DESIGN E.O.R. : P. R. HOLSHOUSER DATE : 7-23-20

DOCUMENT NOT CONSIDERED FINAL
UNLESS ALL SIGNATURES COMPLETED

ICE of Carolinas, PLLC
4505 Falls of Neuse Road, Suite 110
Raleigh, North Carolina 27609
Phone: 919-822-0333
License #: P-0999

REVISIONS						SHEET NO.	
NO.	BY:	DATE:	NO.	BY:	DATE:	S-78	
1			3			TOTAL SHEETS	
2			4			107	

Pen Table: \\192.168.64.12\ncerdur\RDUCAD\Plotting\Pen Tables\ICE_NC_S\struct.tbl
Print Driver: \\192.168.64.12\ncerdur\RDUCAD\Plotting\NGD0T\22x34_PDF_ICE.plt
User: jim.austin
File: R:\Projects\19-77 Division 6 On Call\02 US 701 over Cape Fear River\NC00T\Structures\DWGs\Final\401-078_US_701_SWL_BT2_03.dgn
Plot Head: 8/12/2020 8:36:51 AM