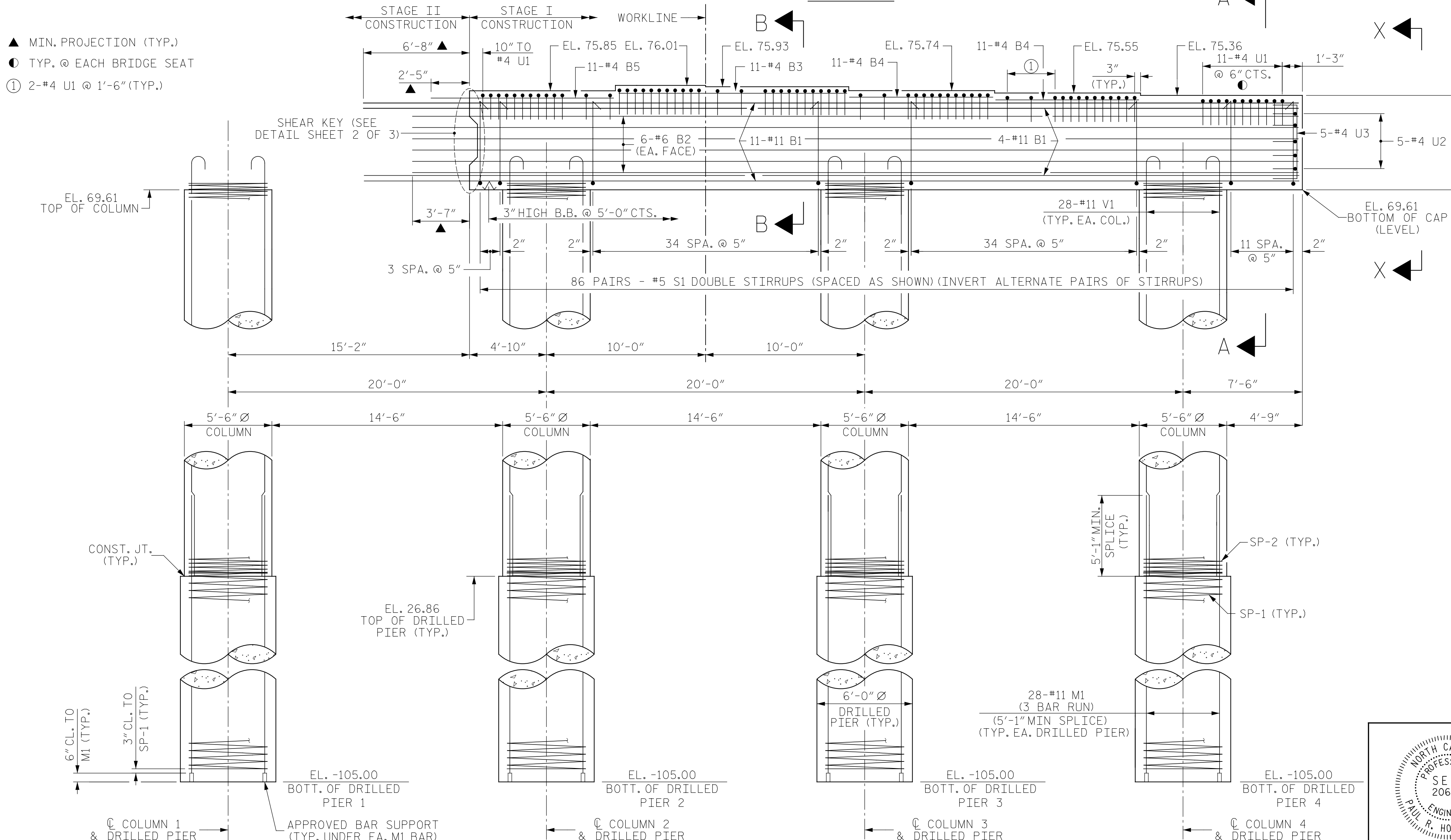
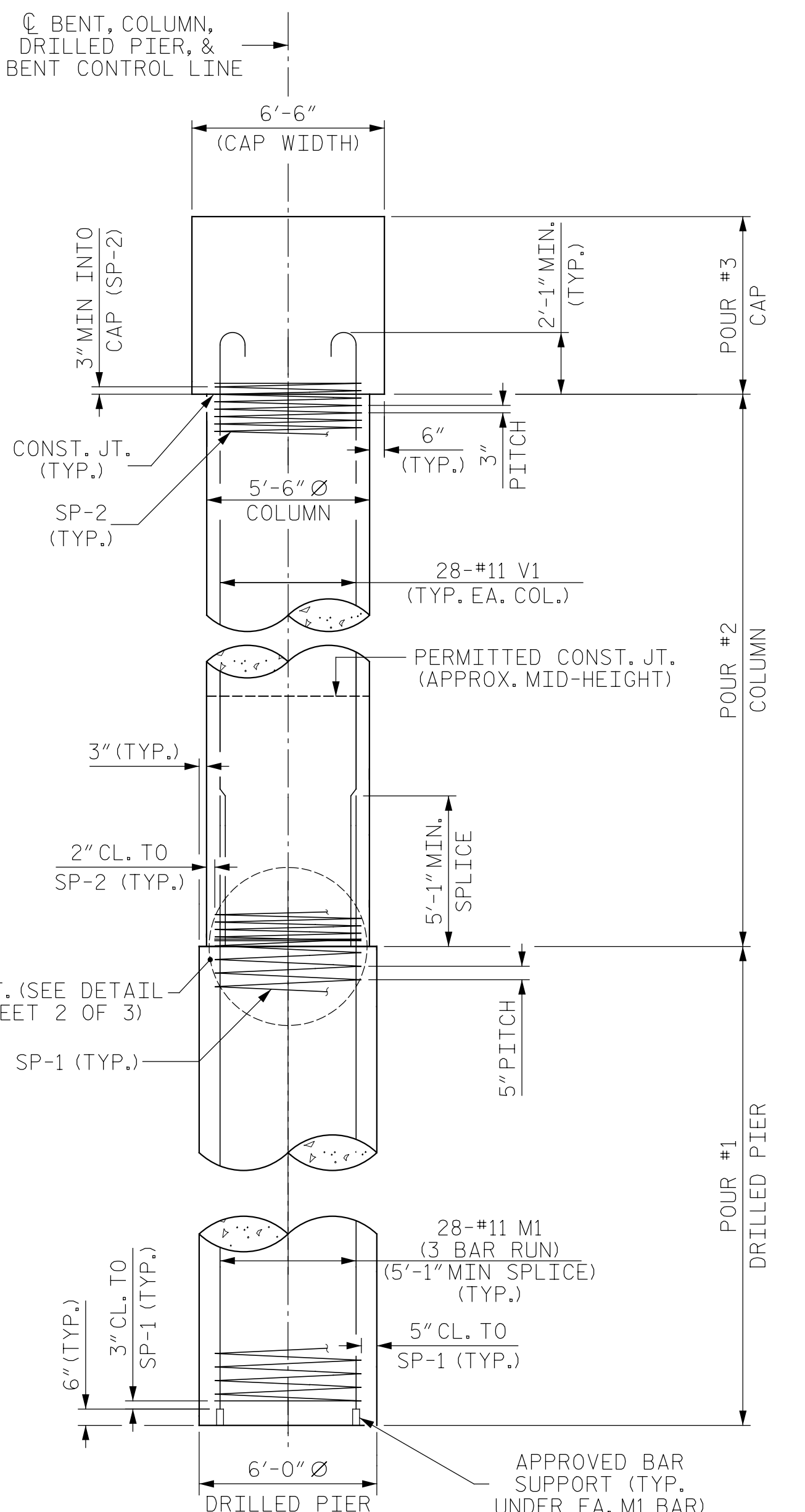
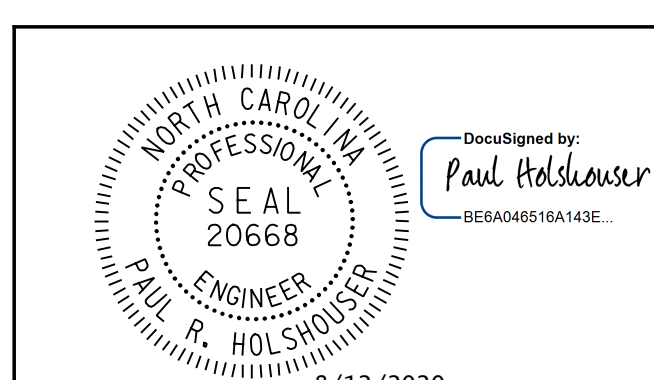


**NOTES:**  
 FOR "SECTION A-A" AND "SECTION B-B", SEE SHEET 3 OF 3.  
 FOR "VIEW X-X", SEE SHEET 3 OF 3  
 FOR NOTES, SEE SHEET 3 OF 3.



- ▲ MIN. PROJECTION (TYP.)
- TYP. @ EACH BRIDGE SEAT
- ① 2-#4 U1 @ 1'-6" (TYP.)

PROJECT NO. 48793.3.1  
 BLADEN COUNTY  
 STATION: 118+81.78 -L-  
 SHEET 1 OF 3



STATE OF NORTH CAROLINA DEPARTMENT OF TRANSPORTATION RALEIGH					
SUBSTRUCTURE					
BENT 2 PLAN & ELEVATION					
STAGE I CONSTRUCTION					
REVISIONS					
NO.	BY:	DATE:	NO.	BY:	DATE:
1			3		
2			4		

**ELEVATION**

ALL DIMENSIONS AND DETAILS SHOWN FOR DRILLED PIERS ARE TYPICAL FOR EACH PIER UNLESS OTHERWISE NOTED.

DOCUMENT NOT CONSIDERED FINAL  
UNLESS ALL SIGNATURES COMPLETED

ICE of Carolinas, PLLC  
 4505 Falls of Neuse Road, Suite 110  
 Raleigh, North Carolina 27609  
 Phone: 919-822-0333  
 License #: P-9999

SHEET NO. S-76	
TOTAL SHEETS 107	

Pen Table: \\192.168.64.12\icerdu\RDUCAD\Plotting\Pen Tables\ICE\_NC\_Struct.tbl  
 Print Driver: \\192.168.64.12\icerdu\RDUCAD\Plotting\NGD0T\22x34\_PDF\_ICE.plt  
 User Name: jimaustfn  
 File Name: R:\Projects\19-77 Division 6 On Call\02 US 701 over Cape Fear River\NCDDT\Structures\Dwgs\Final\401-076\_US\_701-SMULBT2-01.dgn  
 Plot Date: 8/11/2020 10:09:39 PM  
 Plot Path: \\192.168.64.12\icerdu\RDUCAD\Plotting\Pen Tables\ICE\_NC\_Struct.tbl

DRAWN BY : B. J. MANTEI DATE : 5-17-20  
 CHECKED BY : N. D'AIUTO DATE : 7-17-20  
 DESIGN E.O.R. : P. R. HOLSHOUSER DATE : 7-23-20