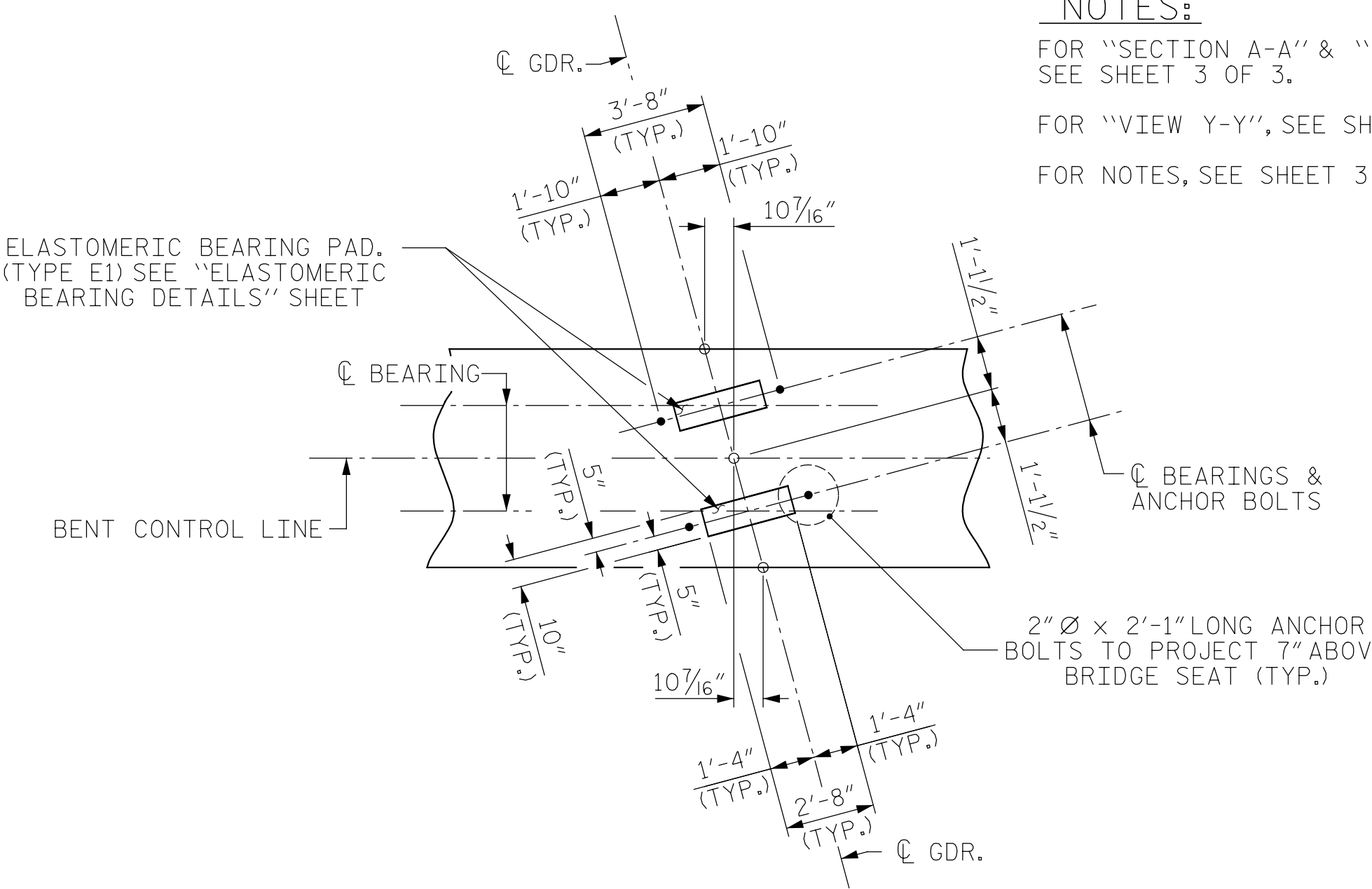


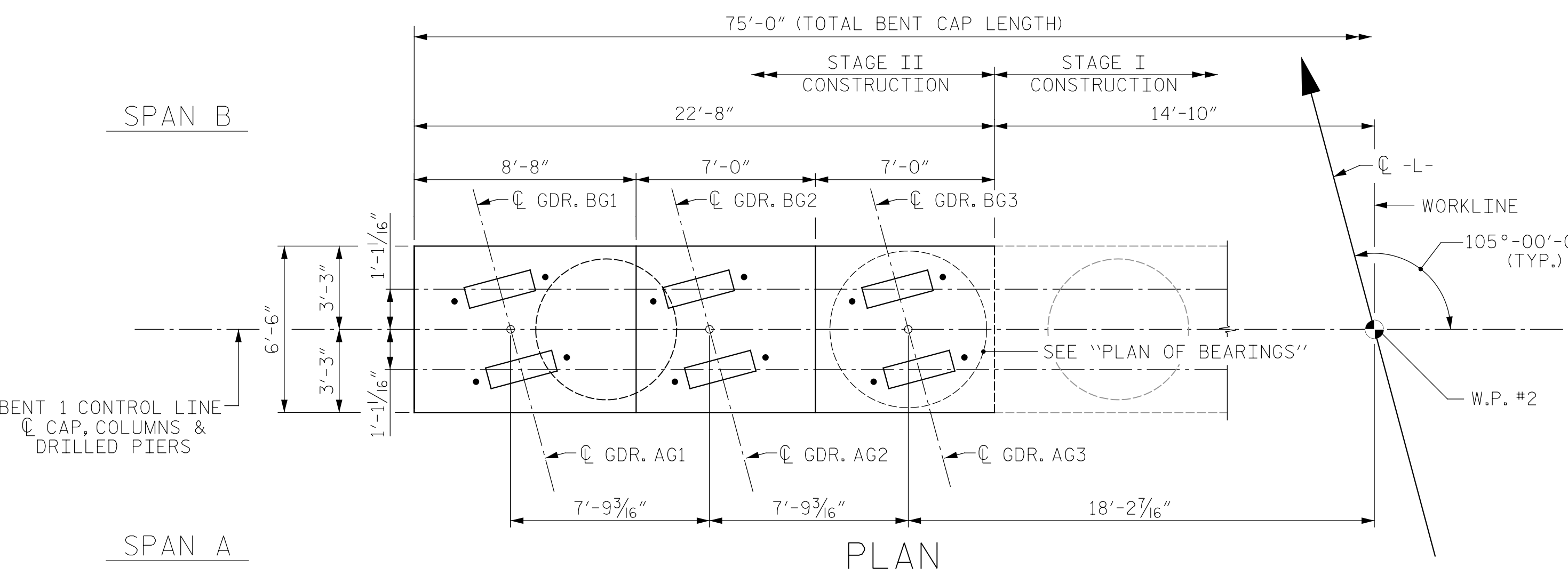
PLAN OF DRILLED PIERS

ALL DIMENSIONS AND DETAILS SHOWN ARE TYPICAL FOR DRILLED PIERS UNLESS NOTED OTHERWISE

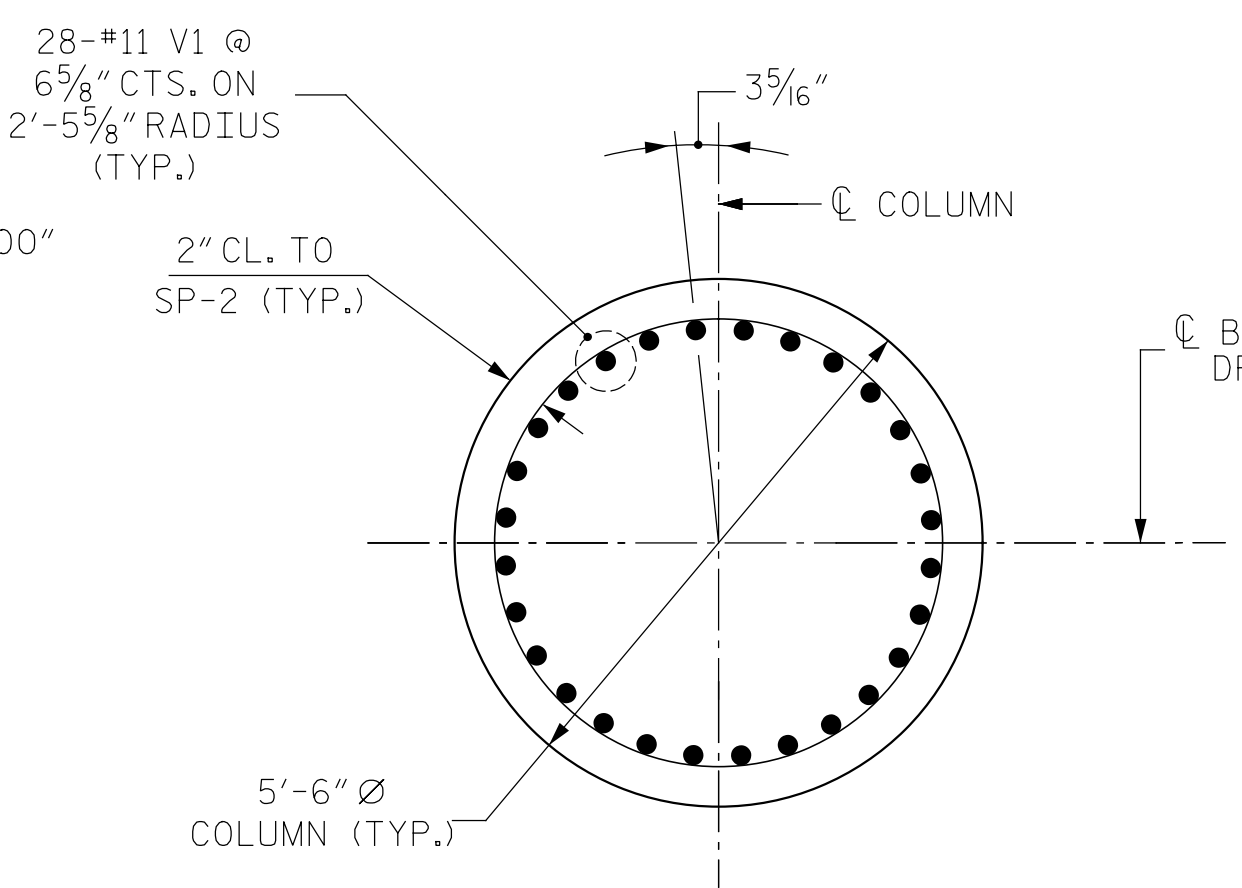


PLAN OF BEARINGS

ALL DIMENSIONS AND DETAILS SHOWN ARE TYPICAL FOR ALL BEARINGS @ EACH BRIDGE SEAT LOCATION.

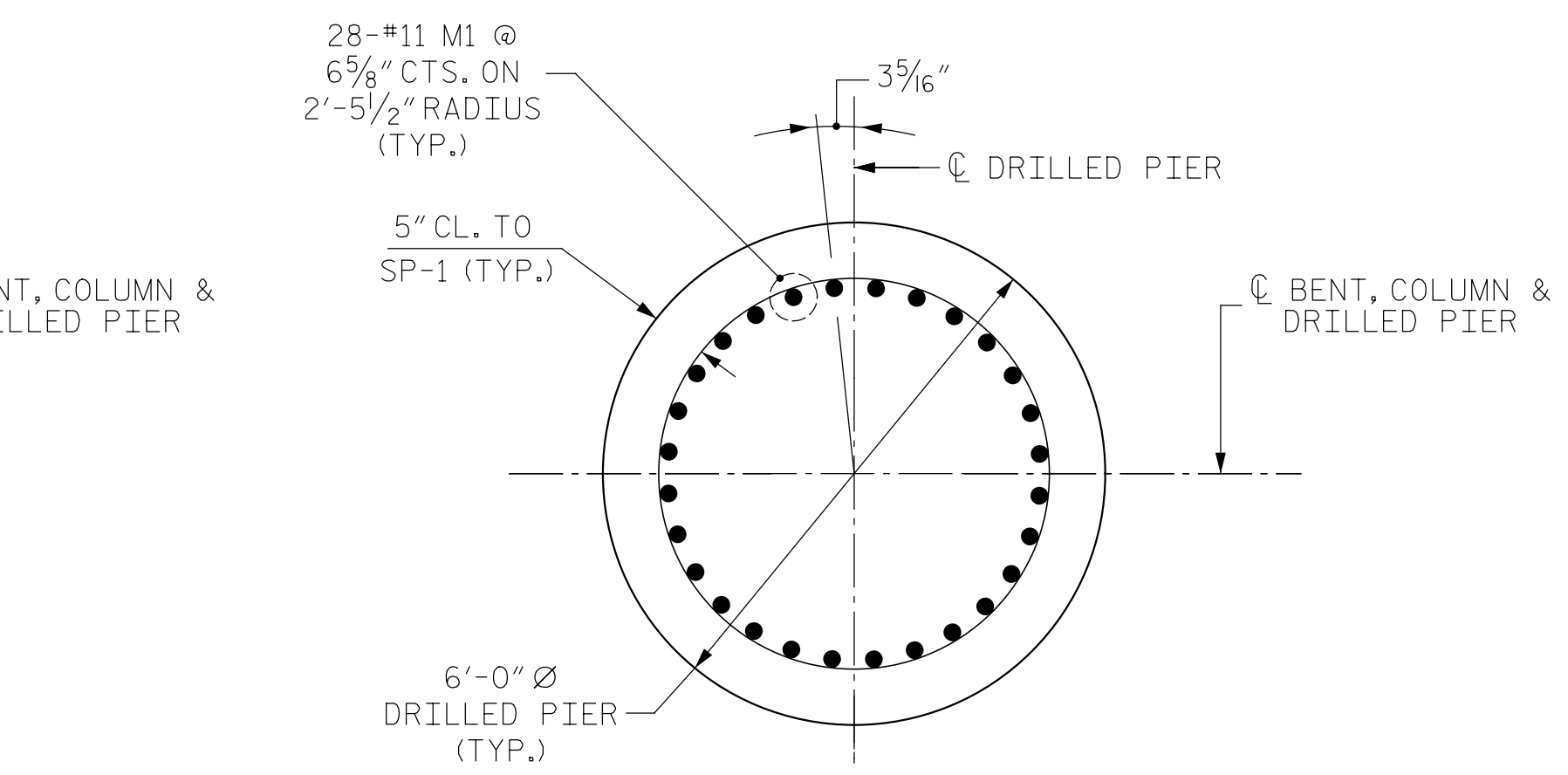


PLAN



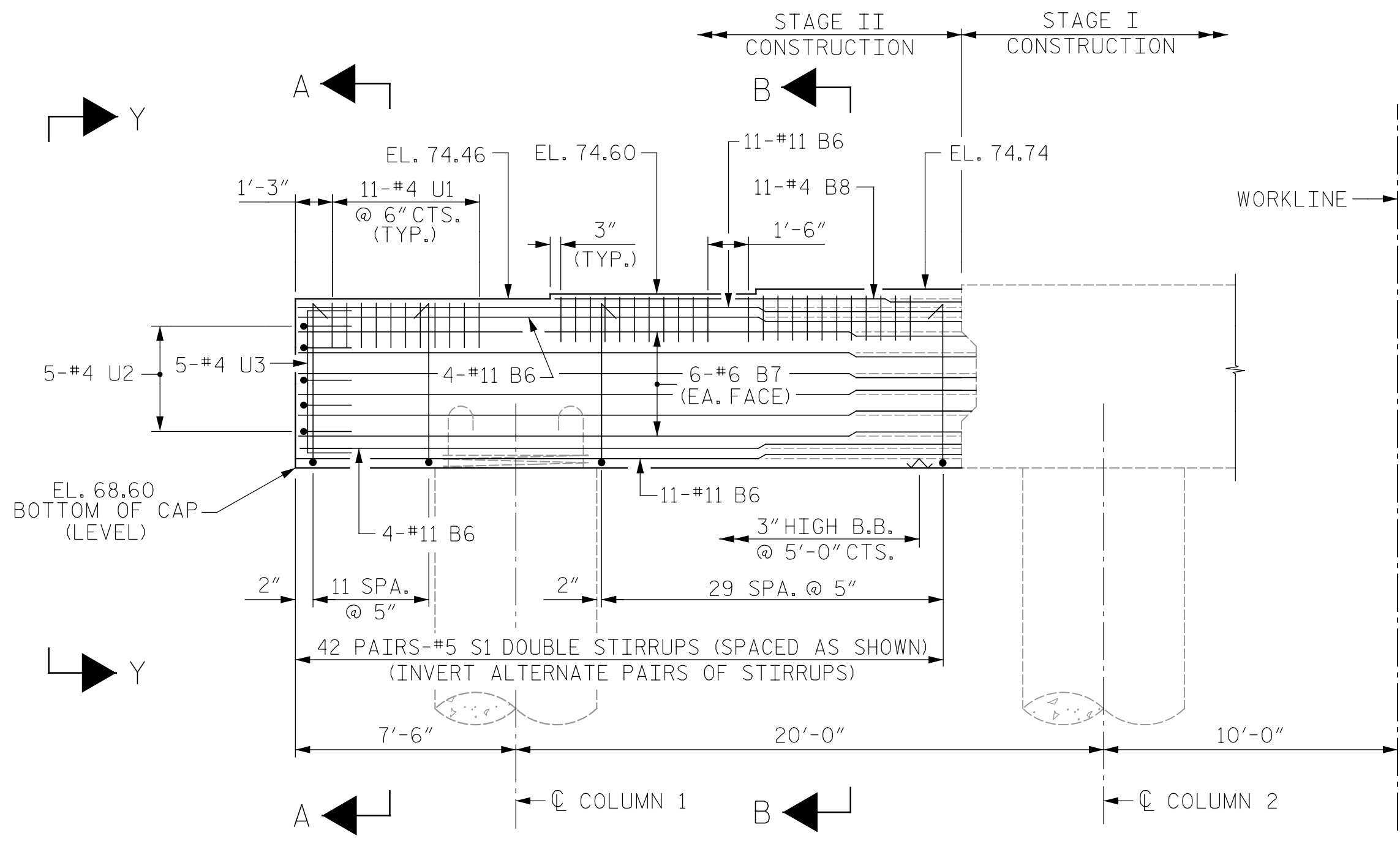
SECTION THRU COLUMN

(TYP. EA. COLUMN)

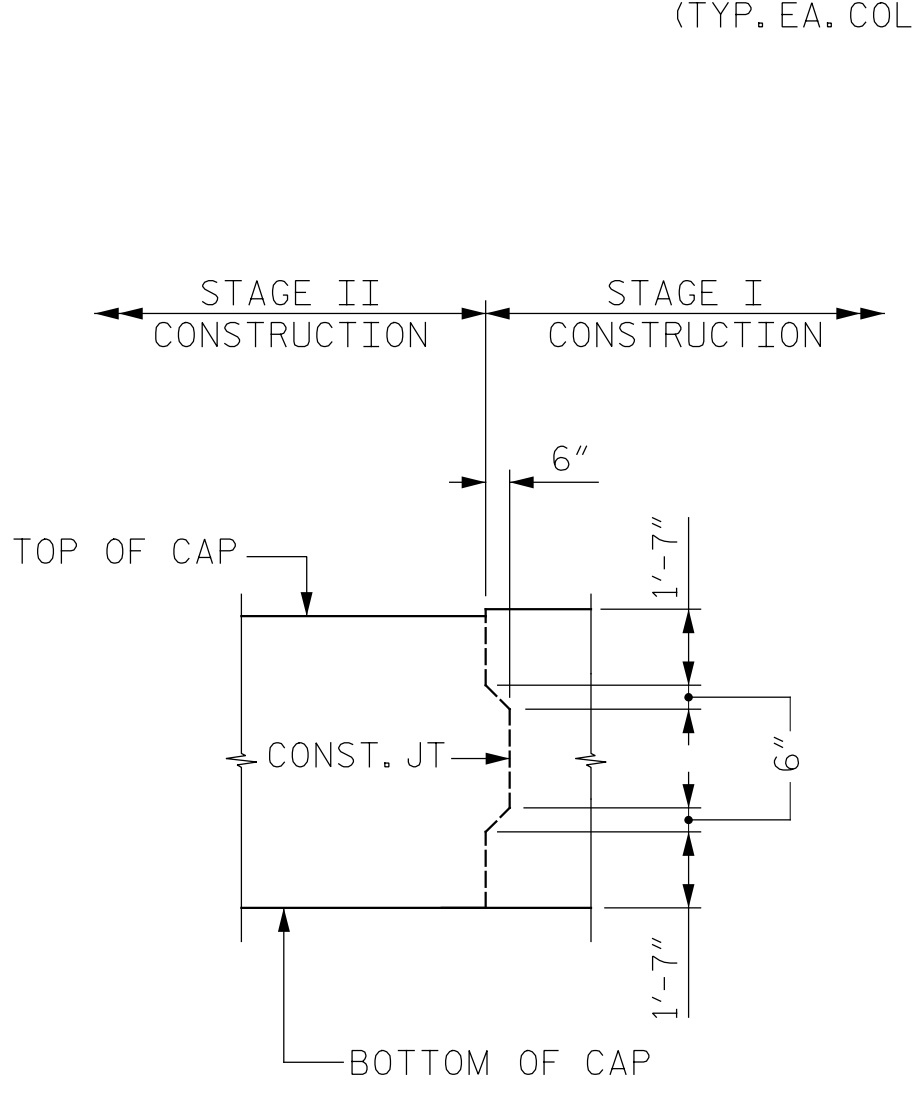


SECTION THRU DRILLED PIER

(TYP. EA. DRILLED PIER)

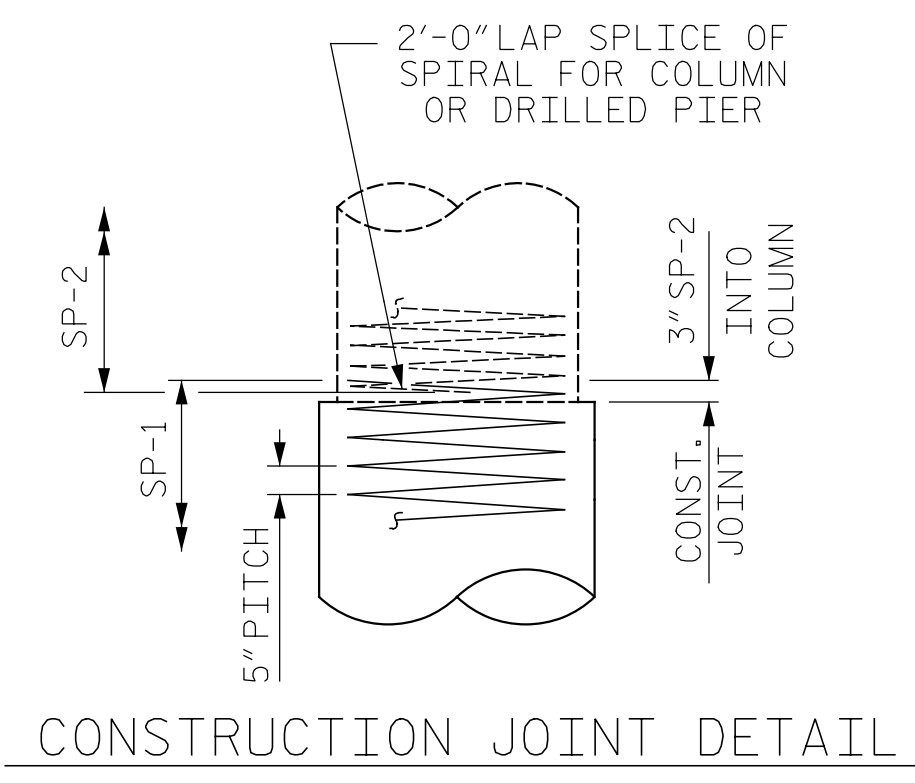


ELEVATION



SHEAR KEY DETAIL

REINFORCING STEEL NOT SHOWN FOR CLARITY. SEE ELEVATION VIEW FOR LOCATION OF SHEAR KEY. REINFORCING STEEL SHALL BE CONTINUOUS THRU SHEAR KEY.



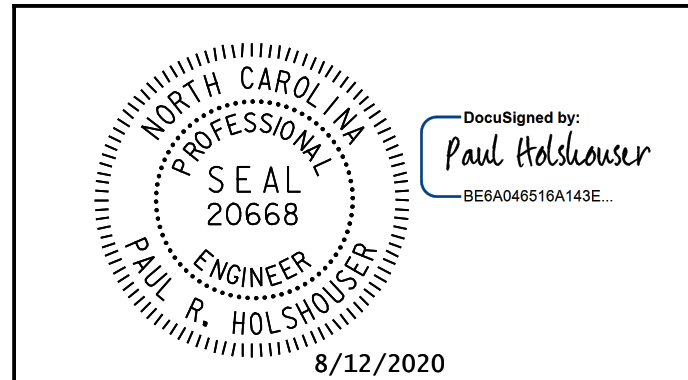
CONSTRUCTION JOINT DETAIL

NOTES:
 FOR "SECTION A-A" & "SECTION B-B", SEE SHEET 3 OF 3.
 FOR "VIEW Y-Y", SEE SHEET 3 OF 3.
 FOR NOTES, SEE SHEET 3 OF 3.

PROJECT NO. 48793.3.1
BLADEN COUNTY
 STATION: 118+81.78 -L-
 SHEET 2 OF 3

STATE OF NORTH CAROLINA
 DEPARTMENT OF TRANSPORTATION
 RALEIGH
 SUBSTRUCTURE
BENT 1 DETAILS

REVISIONS						SHEET NO.
NO.	BY:	DATE:	NO.	BY:	DATE:	S-74
1			3			TOTAL SHEETS
2			4			107



ICE of CAROLINAS, PLLC
 4505 Falls of Neuse Road, Suite 110
 Raleigh, North Carolina 27609
 Phone: 919-822-0333
 License #: P-0999

DOCUMENT NOT CONSIDERED FINAL UNLESS ALL SIGNATURES COMPLETED

Pen Table: \\192.168.64.12\ncerd\VRUCAD\Plotting\Pen Tables\ICE_NC_S\Struct.tbl
 Print Driver: \\192.168.64.12\ncerd\VRUCAD\Plotting\NCDDOT\22x34_PDF_ICE.plt
 User: jmaust
 File: R:\Projects\19-77 Division 6 On Call\02 US 701 over Cape Fear River\NCDDOT\Structures\Drawings\Final\401-074_US_701_SWL_BT1_02.dgn
 Plot Date: 8/11/2020 10:09:35 PM

DRAWN BY: B. J. MANTEI DATE: 5-19-20
 CHECKED BY: N. D'AIUTO DATE: 7-17-20
 DESIGN E.O.R.: P. R. HOLSHOUSER DATE: 7-23-20