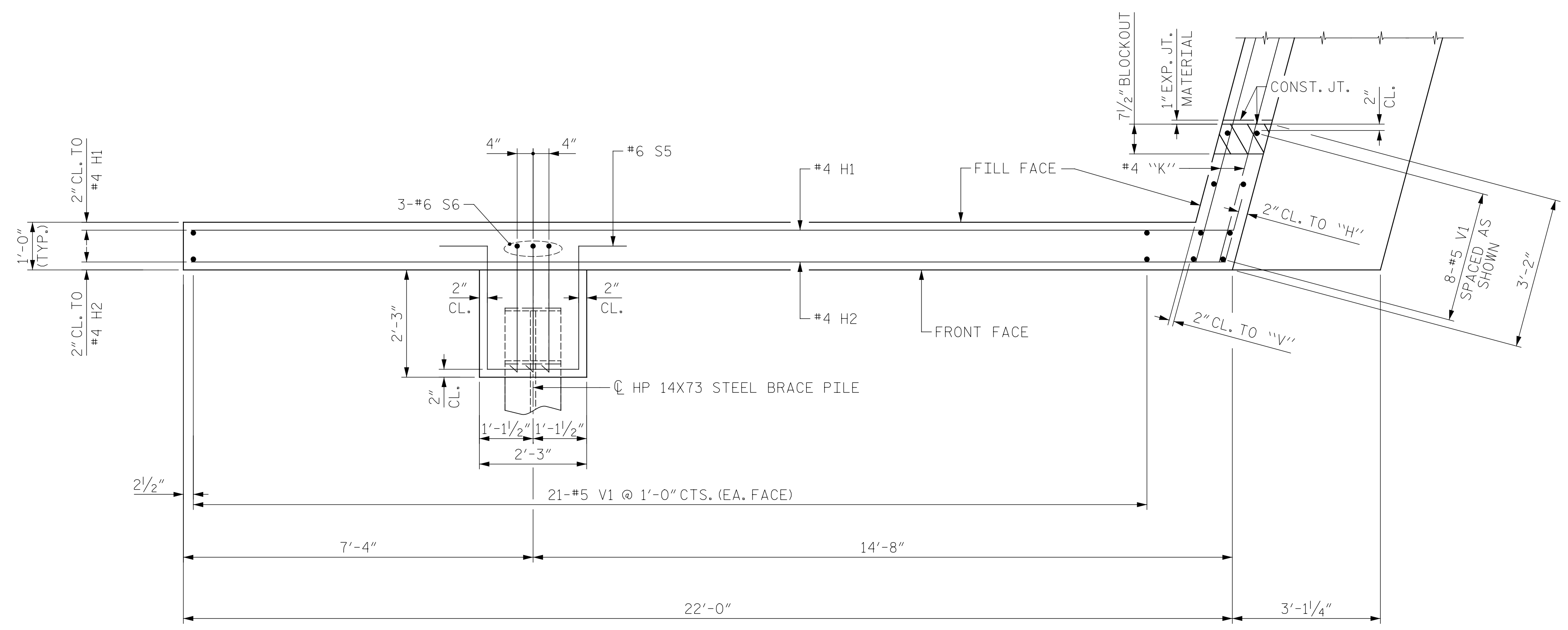
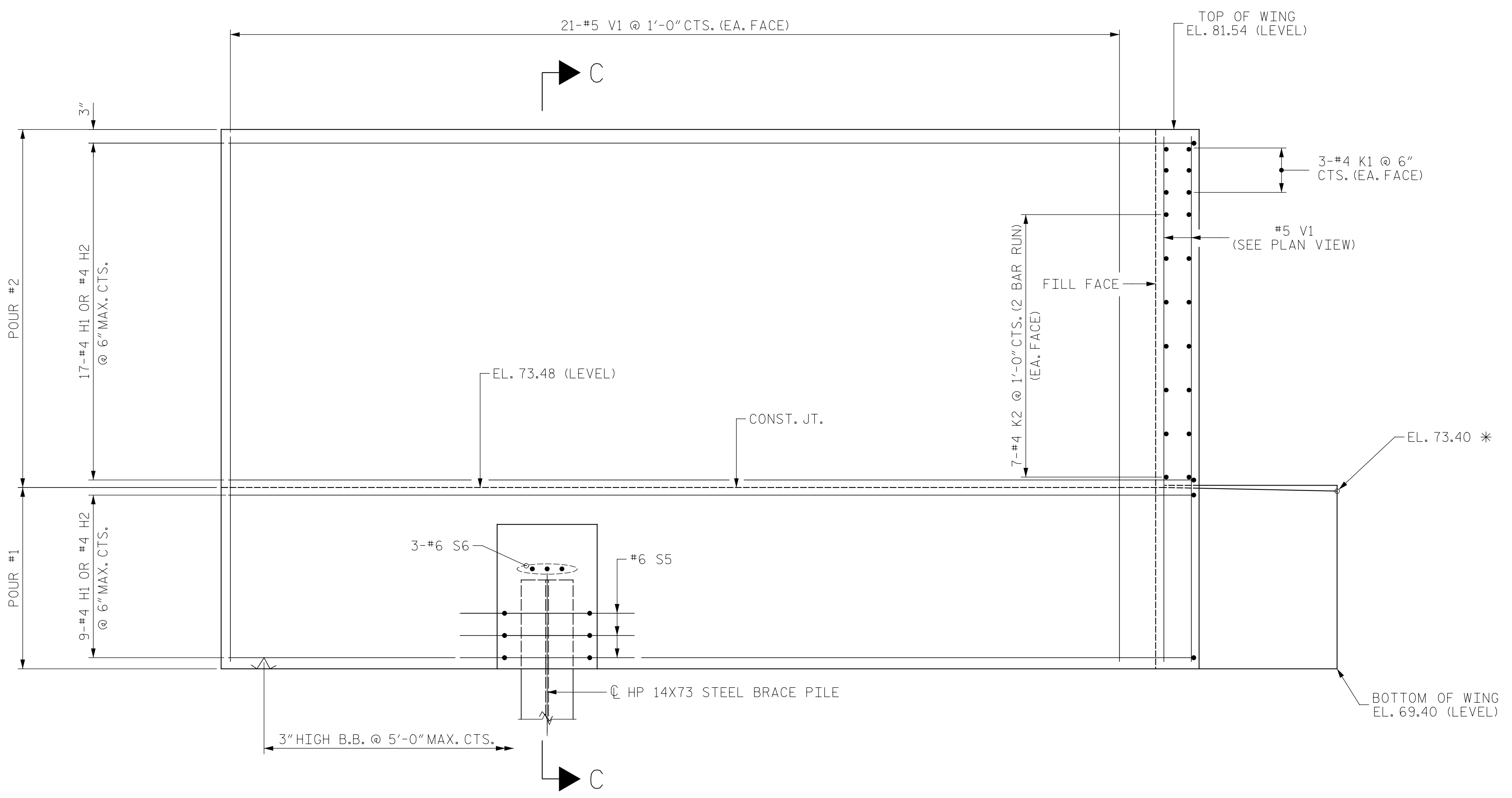


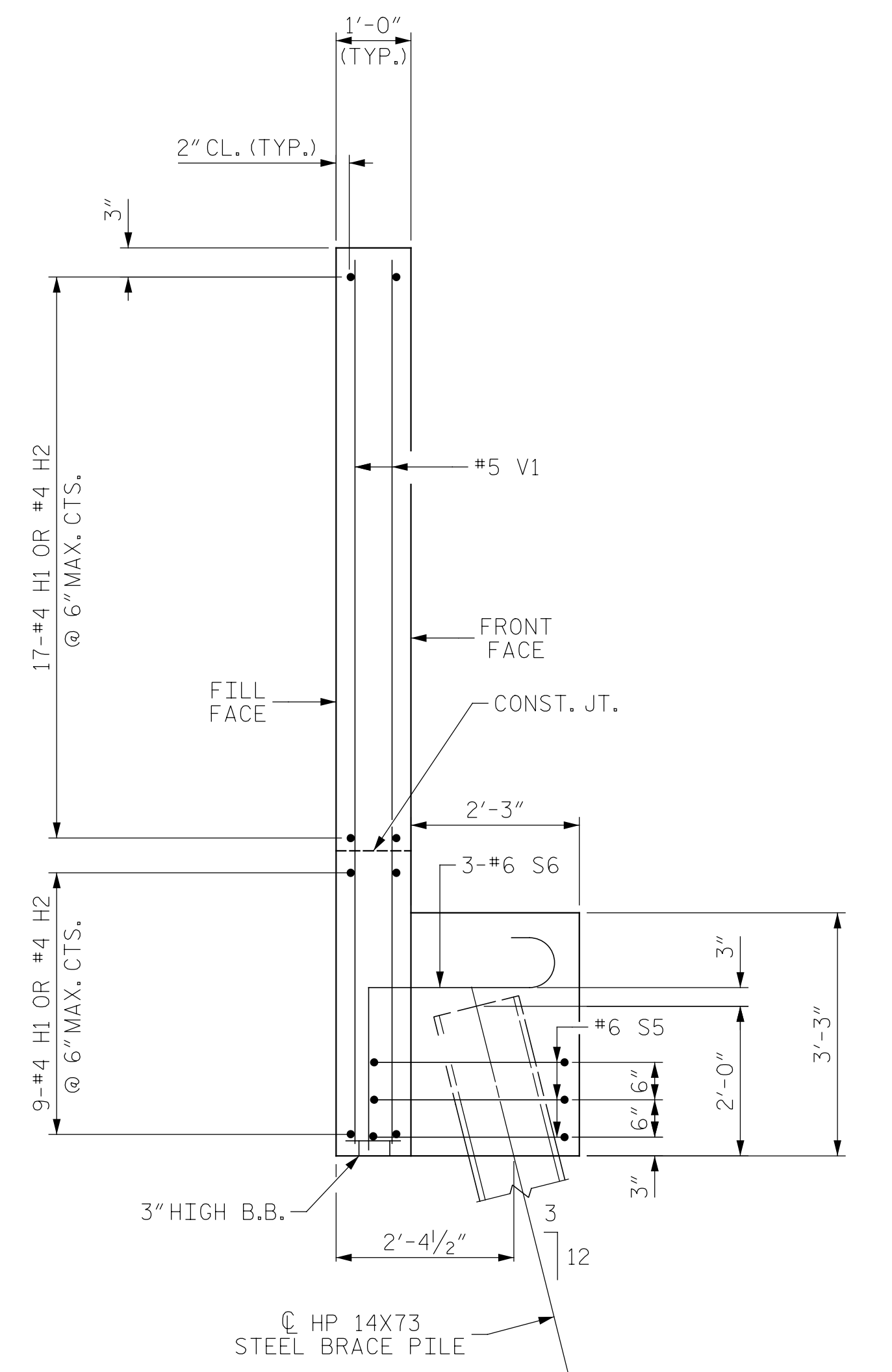
Pen Table: \\192.168.64.12\ice\rd\RDUCAD\Plotting\Pen Tables\ICE\_NC\_Struct.tbl  
Print Driver: \\192.168.64.12\ice\rd\RDUCAD\Plotting\NGD0T\22x34\_PDF\_ICE.pltcf  
User: jim.austin  
File Name: R:\Projects\19-77 Division 6 On Call\02 US 701 over Cape Fear River\NCDOT\Structures\Dwgs\Final\401-069\_US\_701\_SML\_EB1\_03.dgn  
Plot Date: 8/11/2020 10:09:26 PM



PLAN OF RIGHT WING (W1)

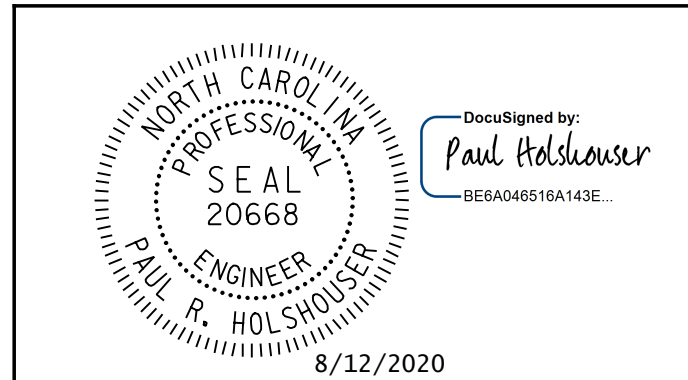


ELEVATION OF RIGHT WING (W1)



SECTION C-C

PROJECT NO. 48793.3.1  
BLADEN COUNTY  
STATION: 118+81.78 -L-  
SHEET 3 OF 6



ICE of Carolinas, PLLC  
4505 Falls of Neuse Road, Suite 110  
Raleigh, North Carolina 27609  
Phone: 919-822-0333  
License #: P-0999

STATE OF NORTH CAROLINA DEPARTMENT OF TRANSPORTATION RALEIGH					
SUBSTRUCTURE					
END BENT 1					
WING WALL (W1)					
REVISIONS					
NO.	BY:	DATE:	NO.	BY:	DATE:
1			3		
2			4		
SHEET NO.					S-69
TOTAL SHEETS					107

DOCUMENT NOT CONSIDERED FINAL  
UNLESS ALL SIGNATURES COMPLETED