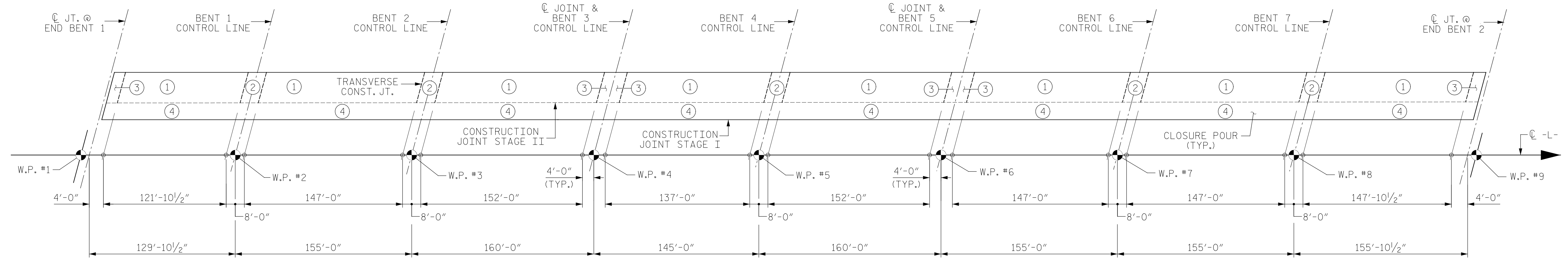


POUR SEQUENCE - STAGE II

⊕ DENOTES POUR NUMBER AND DIRECTION
 ALL DIMENSIONS ARE ALONG CL-L-



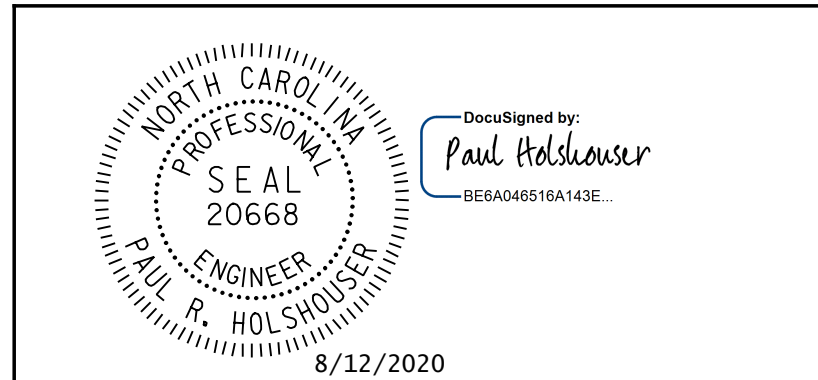
OPTIONAL POUR SEQUENCE - STAGE II

⊕ DENOTES POUR NUMBER
 ALL DIMENSIONS ARE ALONG CL-L-

PROJECT NO. 48793.3.1
BLADEN COUNTY
 STATION: 118+81.78 -L-

SHEET 2 OF 2

STATE OF NORTH CAROLINA
 DEPARTMENT OF TRANSPORTATION
 RALEIGH
 SUPERSTRUCTURE
 POURING SEQUENCE
 STAGE II CONSTRUCTION



ICE of Carolinas, PLLC
 4505 Falls of Neuse Road, Suite 110
 Raleigh, North Carolina 27609
 Phone: 919-822-0333
 License #: P-0999

REVISIONS				SHEET NO.	
NO.	BY:	DATE:	NO.	BY:	DATE:
1			3		
2			4		

TOTAL SHEETS: 107

DRAWN BY : B. J. MANTEI DATE : 7-22-20
 CHECKED BY : N. D'AIUTO DATE : 7-22-20
 DESIGN E.O.R. : P. R. HOLSHOUSER DATE : 7-23-20

DOCUMENT NOT CONSIDERED FINAL
 UNLESS ALL SIGNATURES COMPLETED

Pen Table: \\192.168.64.12\ice\rd\RDUCAD\Plotting\Pen Tables\ICE_NC_Struct.tbl
 Print Driver: \\192.168.64.12\ice\rd\RDUCAD\Plotting\NGD0T\22x34_PDF-ICE.plt
 User: jim.mantini
 File: R:\Projects\19-77 Division 6 On Call\02 US 701 over Cape Fear River\NCDDOT\Structures\Dwg\Final\401_066_US_701_SML_BOM_04.dgn
 Plot Date: 8/11/2020 10:09:17 PM