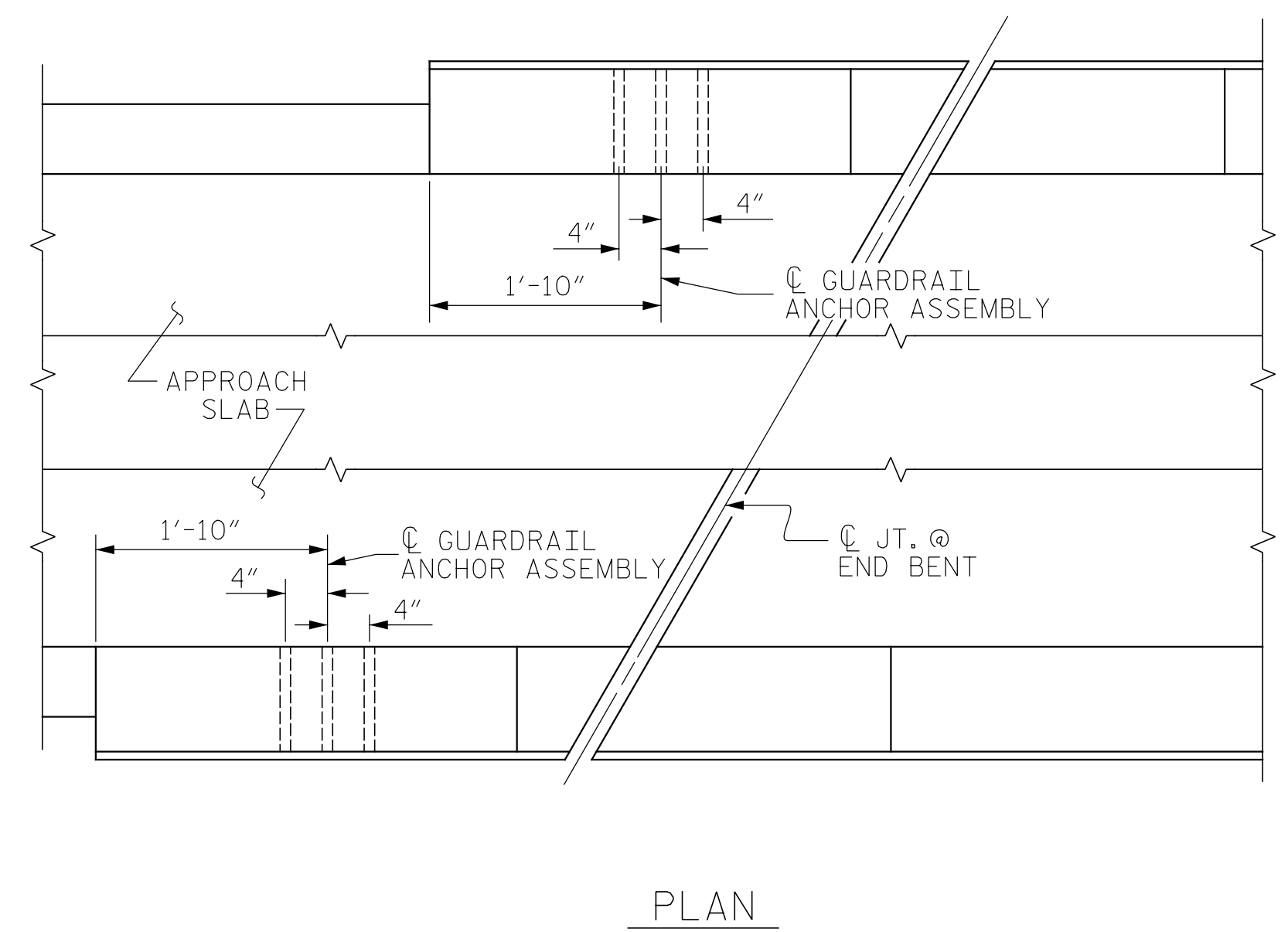
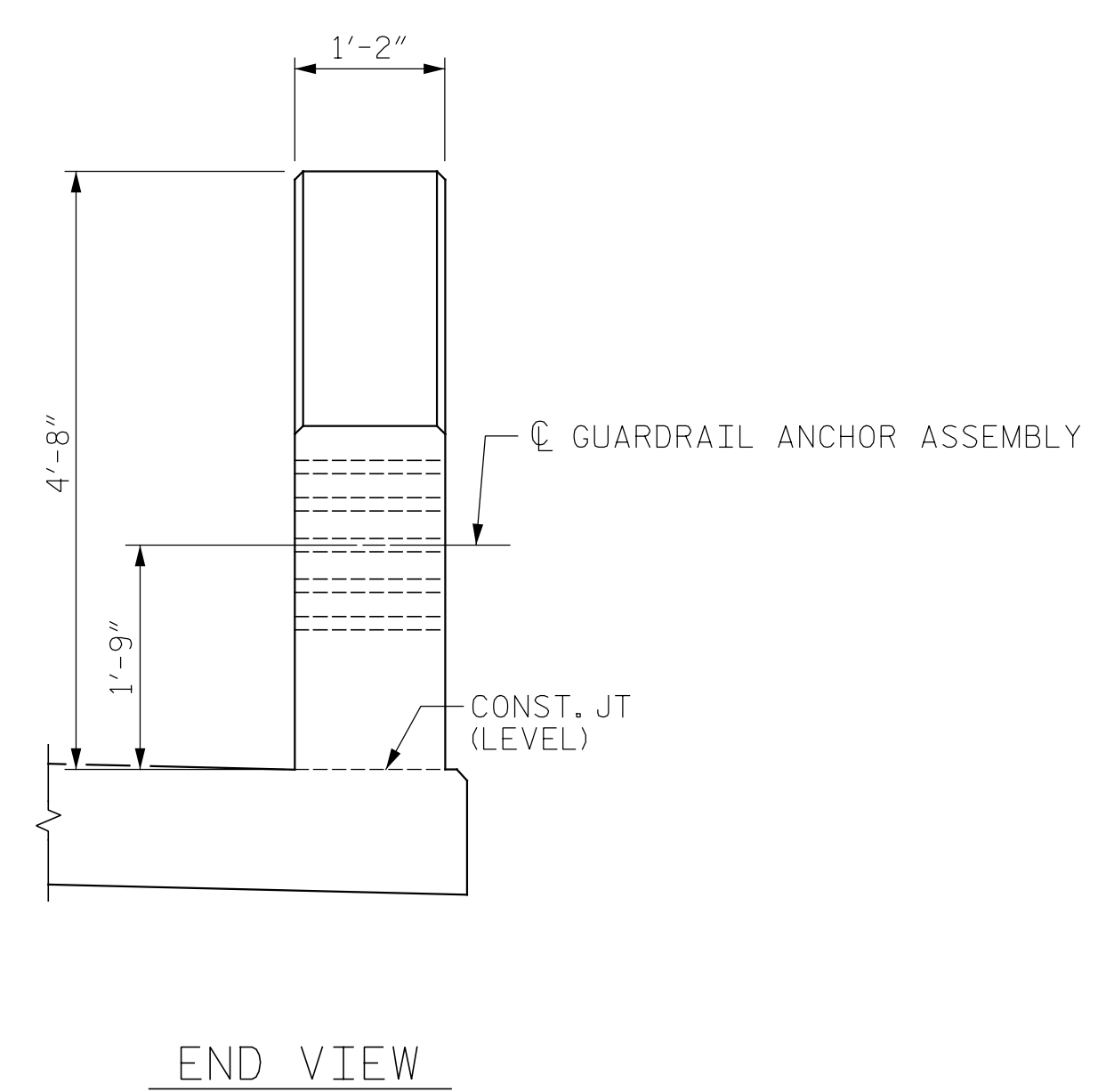


GUARDRAIL ANCHOR ASSEMBLY DETAILS



LOCATION OF GUARDRAIL ANCHOR AT END POST

NOTES

THE GUARDRAIL ANCHOR ASSEMBLY SHALL CONSIST OF A 1/4" HOLD DOWN PLATE AND 7 - 7/8" Ø BOLTS WITH NUTS AND WASHERS.

THE HOLD-DOWN PLATE SHALL CONFORM TO AASHTO M270 GRADE 36. AFTER FABRICATION, THE HOLD-DOWN PLATE SHALL BE HOT-DIP GALVANIZED IN ACCORDANCE WITH AASHTO M111.

BOLTS SHALL CONFORM TO THE REQUIREMENTS OF ASTM A307 AND NUTS SHALL CONFORM TO THE REQUIREMENTS OF AASHTO M291. BOLTS, NUTS AND WASHERS SHALL BE GALVANIZED. AT THE CONTRACTOR'S OPTION, STAINLESS STEEL BOLTS, NUTS AND WASHERS MAY BE USED AS AN ALTERNATE FOR THE 7/8" Ø GALVANIZED BOLTS, NUTS AND WASHERS. THEY SHALL CONFORM TO OR EXCEED THE MECHANICAL REQUIREMENTS OF ASTM A307. THE USE OF THIS ALTERNATE SHALL BE APPROVED BY THE ENGINEER.

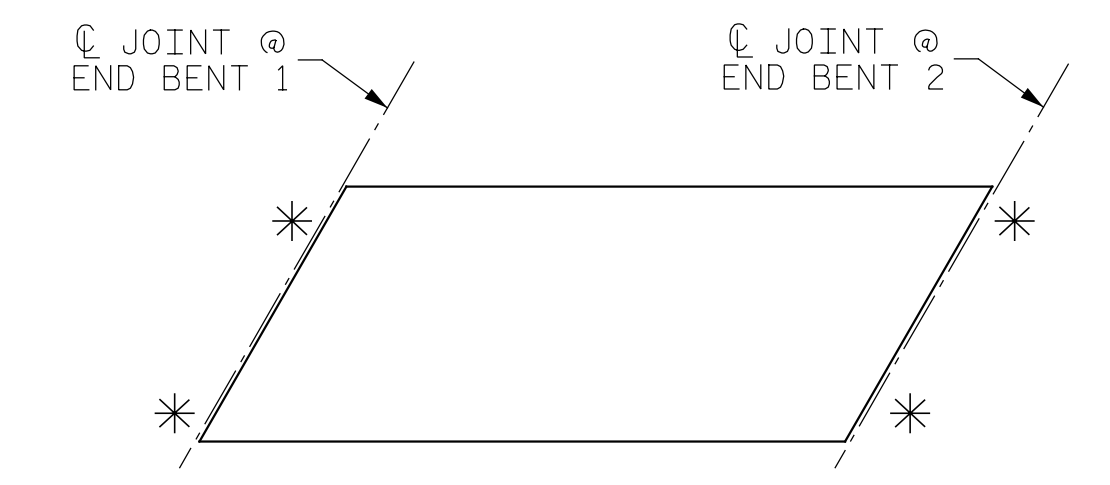
THE GUARDRAIL ANCHOR ASSEMBLY IS REQUIRED AT ALL POINTS WHERE APPROACH GUARDRAIL IS TO BE ATTACHED TO THE END OF THE PARAPET. FOR POINTS OF ATTACHMENT, SEE SKETCH.

AFTER INSTALLATION, THE EXPOSED THREAD OF THE BOLT SHALL BE BURRED WITH A SHARP POINTED TOOL.

THE COST OF THE GUARDRAIL ANCHOR ASSEMBLIES WITH BOLTS, NUTS AND WASHERS COMPLETE IN PLACE, SHALL BE INCLUDED IN THE VARIOUS PAY ITEMS.

THE VERTICAL REINFORCING BARS MAY BE SHIFTED SLIGHTLY IN THE END POST TO CLEAR ASSEMBLY BOLTS.

THE 1 1/4" Ø HOLES SHALL BE FORMED OR DRILLED WITH A CORE BIT. IMPACT TOOLS WILL NOT BE PERMITTED. ANY CONCRETE DAMAGED BY THIS WORK SHALL BE REPAIRED TO THE SATISFACTION OF THE ENGINEER.



SKETCH SHOWING POINTS OF ATTACHMENT
* LOCATION OF GUARDRAIL ATTACHMENT

PROJECT NO. 48793.3.1
BLADEN COUNTY
STATION: 118+81.78 -L-

Pen Table: \\192.168.64.12\ice\rd\RDUCAD\Plotting\Pen Tables\ICE_NC_S\struct.tbl
Print Driver: \\192.168.64.12\ice\rd\RDUCAD\Plotting\NGD0T\22x34_PDF-ICE.plt;cf;g
User: jim.austin
File: R:\Projects\19-77 Division 6 On Call\02 US 701 over Cape Fear River\NCDOT\Structures\Dwg\Final\401_060_US_701_SML_GRA_01.dgn
Plot Date: 8/11/2020 10:09:06 PM

DRAWN BY : J. N. AUSTIN DATE : 6/10/20
CHECKED BY : N. REZAEI DATE : 6/11/20
DESIGN E.O.R. : P. R. HOLSHOUSER DATE : 7-23-20

DOCUMENT NOT CONSIDERED FINAL
UNLESS ALL SIGNATURES COMPLETED

Professional Engineer Seal for Paul R. Holshouser, License # BE6048518A143E, dated 8/12/2020.

ICE of Carolinas, PLLC
4505 Falls of Neuse Road, Suite 110
Raleigh, North Carolina 27609
Phone: 919-822-0333
License #: P-0999

STATE OF NORTH CAROLINA DEPARTMENT OF TRANSPORTATION RALEIGH					
GUARDRAIL ANCHORAGE DETAILS FOR METAL RAILS					
REVISIONS					
NO.	BY:	DATE:	NO.	BY:	DATE:
1			3		
2			4		
SHEET NO. S-60					TOTAL SHEETS 107