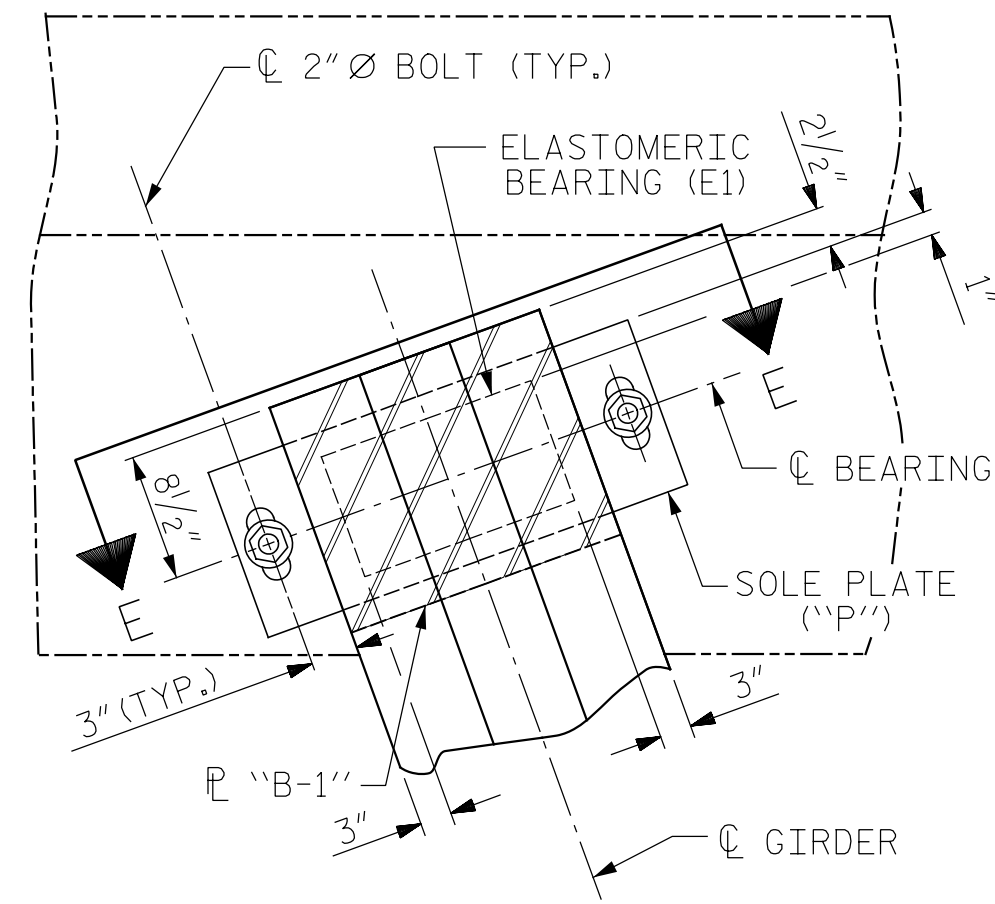
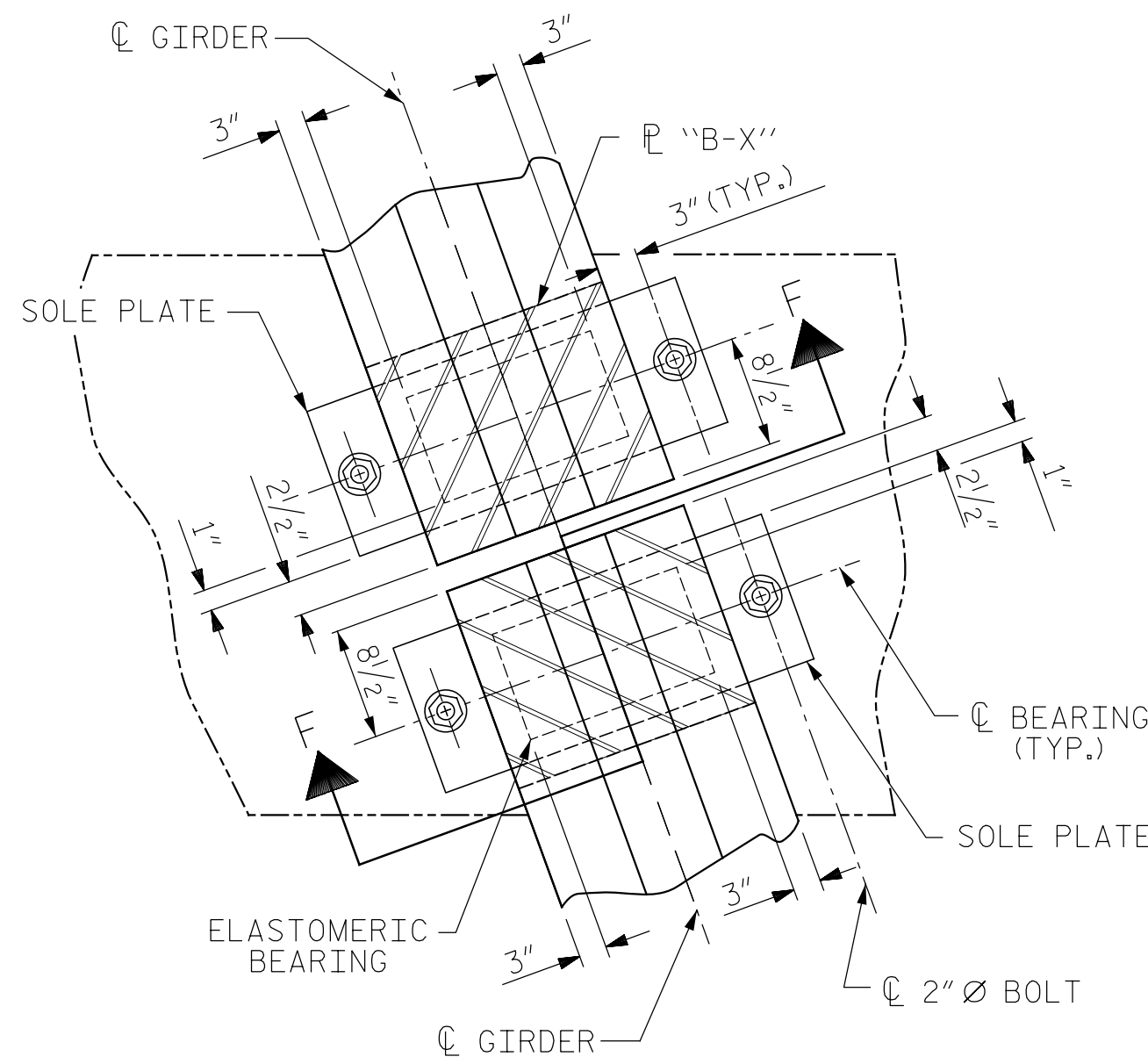


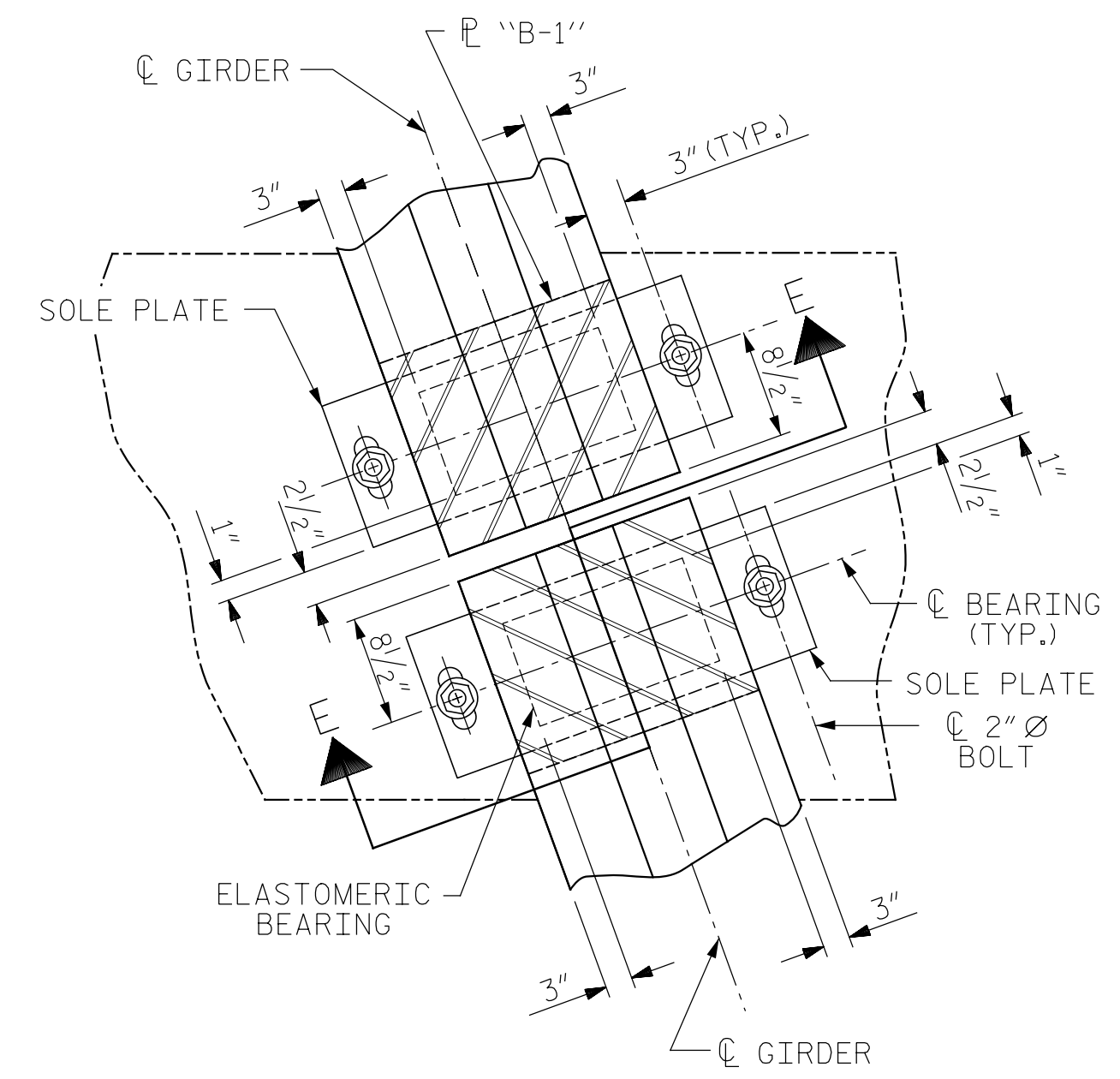
NOTE:
FOR "SECTION E-E" AND "SECTION F-F", SEE "ELASTOMERIC BEARING DETAILS" SHEET 1 OF 2



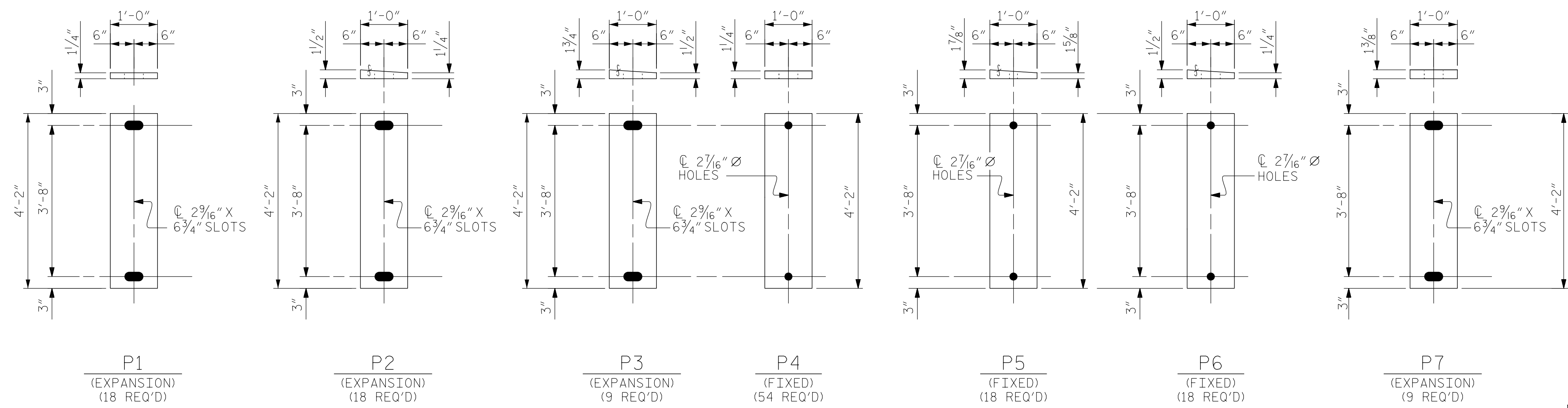
TYPICAL PLAN @ END BENTS



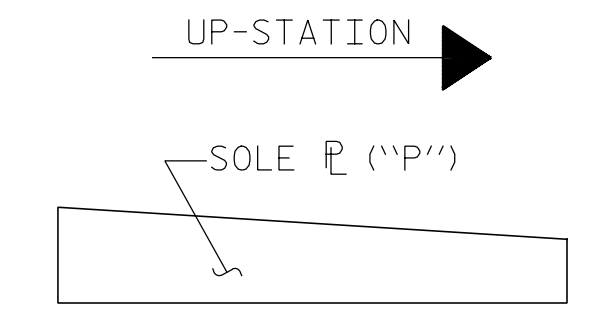
TYPICAL PLAN @ BENTS 1, 2, 4, 6, & 7
(SHOWING CONTINUOUS BENT)



TYPICAL PLAN @ BENTS 3 & 5
(SHOWING NON-CONTINUOUS BENT)



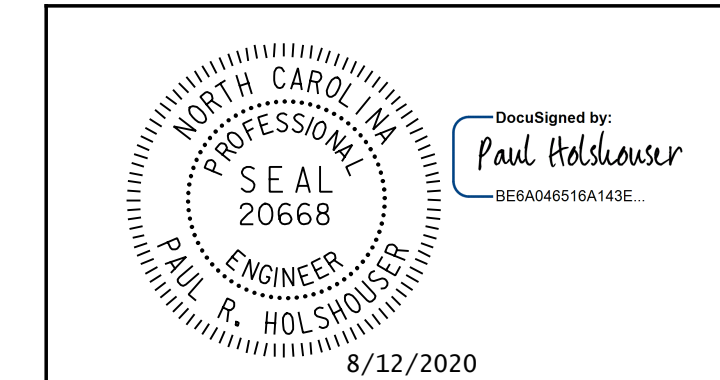
SOLE PLATE DETAILS ("P")



SOLE PLATE PLACEMENT DETAIL

PROJECT NO. 48793.3.1
BLADEN COUNTY
STATION: 118+81.78 -L-

SHEET 2 OF 2
STATE OF NORTH CAROLINA
DEPARTMENT OF TRANSPORTATION
RALEIGH
SUPERSTRUCTURE
ELASTOMERIC BEARING
DETAILS
PRESTRESSED CONCRETE GIRDER



ICE of Carolinas, PLLC
4505 Falls of Neuse Road, Suite 110
Raleigh, North Carolina 27609
Phone: 919-822-0333
License #: P-0999

REVISIONS		SHEET NO.	
NO.	BY:	NO.	DATE:
1		3	
2		4	

TOTAL SHEETS: 107

DRAWN BY: J. N. AUSTIN DATE: 6-10-20
CHECKED BY: P. R. H. / N. D. DATE: 7-23-20
DESIGN E.O.R.: P. R. HOLSHOUSER DATE: 7-23-20

DOCUMENT NOT CONSIDERED FINAL
UNLESS ALL SIGNATURES COMPLETED

Pen Table: \\192.168.64.12\ice\rd\RDUCAD\Plotting\Pen Tables\ICE_NC_S\Struct.tbl
 Print Driver: \\192.168.64.12\ice\rd\RDUCAD\Plotting\NGD001\22x34_PDF-ICE.plt.cfg
 User: jim.austin
 File: R:\Projects\19-77 Division 6 On Call\02 US 701 over Cape Fear River\NC001\Structures\Drawings\Final\401-039-US-701-SWL-BG-02.dgn
 Plot: 8/11/2020 10:08:28 PM