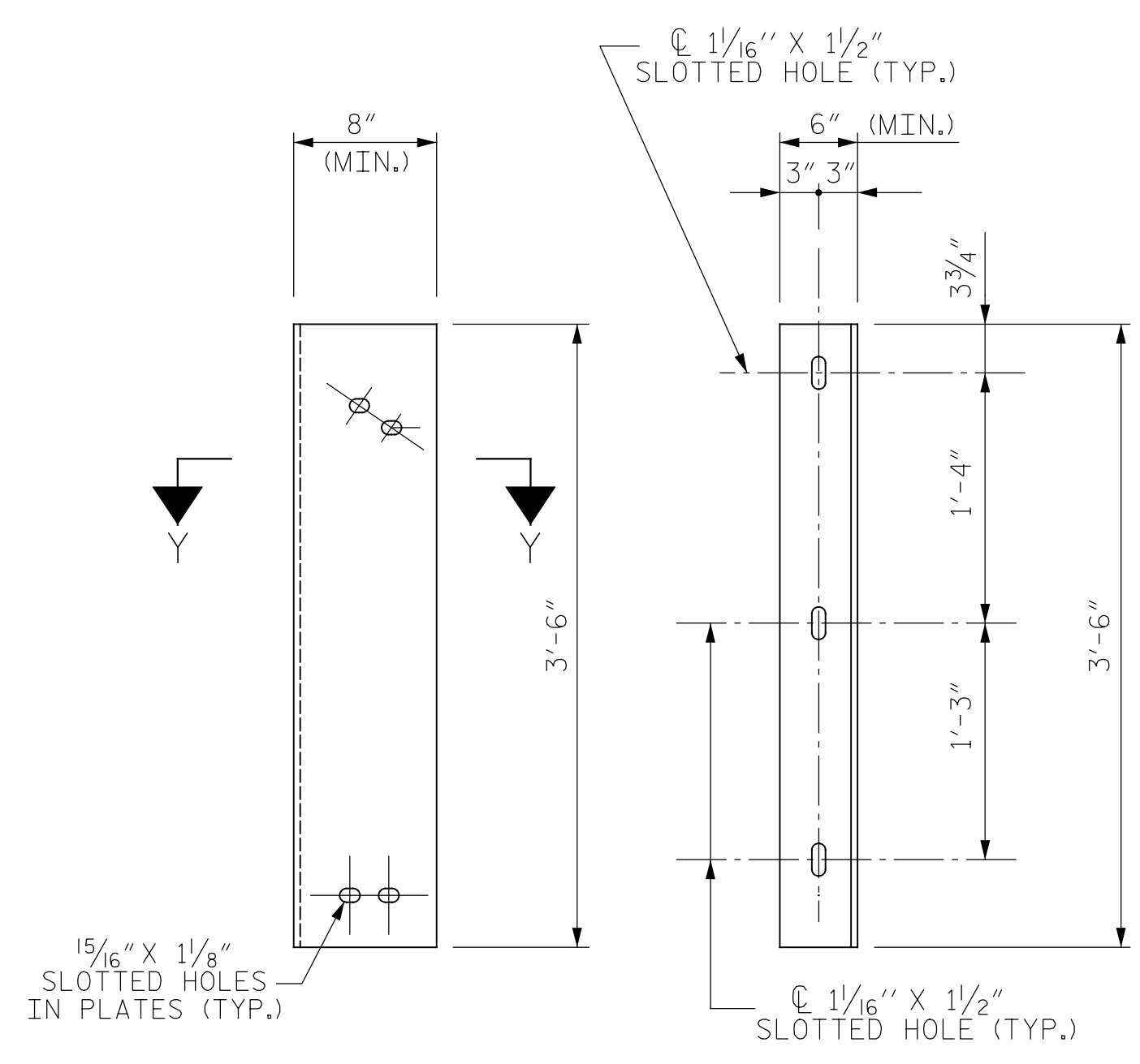
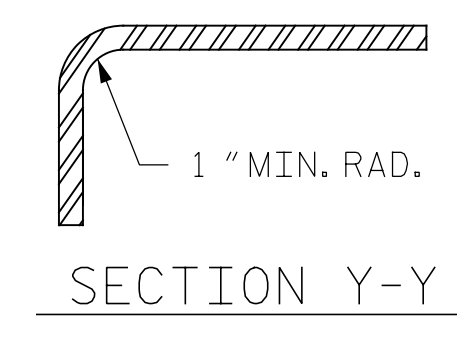


PART SECTION AT INTERMEDIATE DIAPHRAGM



CONNECTOR PLATE DETAIL



SECTION Y-Y

STRUCTURAL STEEL NOTES

ALL INTERMEDIATE DIAPHRAGM STEEL AND CONNECTOR PLATES SHALL BE AASHTO M270 GRADE 50 OR APPROVED EQUAL.

TENSION ON THE ASTM A325 BOLTS THROUGH THE ANGLE MEMBER SHALL BE CALIBRATED USING DIRECT TENSION INDICATOR WASHERS IN ACCORDANCE WITH THE STANDARD SPECIFICATIONS.

TENSION ON THE ASTM A449 BOLTS THROUGH THE GIRDER WEB SHALL BE SNUG TIGHTENED FOLLOWED BY AN ADDITIONAL 1/4 TURN.

THE PLATES, BENT PLATES, AND ANGLES SHALL BE GALVANIZED OR METALLIZED IN ACCORDANCE WITH THE STANDARD SPECIFICATIONS. FOR THERMAL SPRAYED COATINGS (METALLIZATION), SEE SPECIAL PROVISIONS.

FOR METALLIZATION, APPLY A THERMAL SPRAYED COATING WITH A SEAL COAT TO ALL STEEL DIAPHRAGM SURFACES IN ACCORDANCE WITH THE DEPARTMENTS THERMAL SPRAYED COATINGS (METALLIZATION) PROGRAM, THERMAL SPRAYED COATINGS SPECIAL PROVISION AND SECTION 442 OF THE STANDARD SPECIFICATIONS.

GALVANIZE THE HIGH STRENGTH BOLTS, NUTS, WASHERS AND DIRECT TENSION INDICATORS IN ACCORDANCE WITH THE STANDARD SPECIFICATIONS.

USE AN ASTM F436 HARDENED WASHER WITH STANDARD AND SLOTTED HOLES UNDER EACH BOLT HEAD AND NUT.

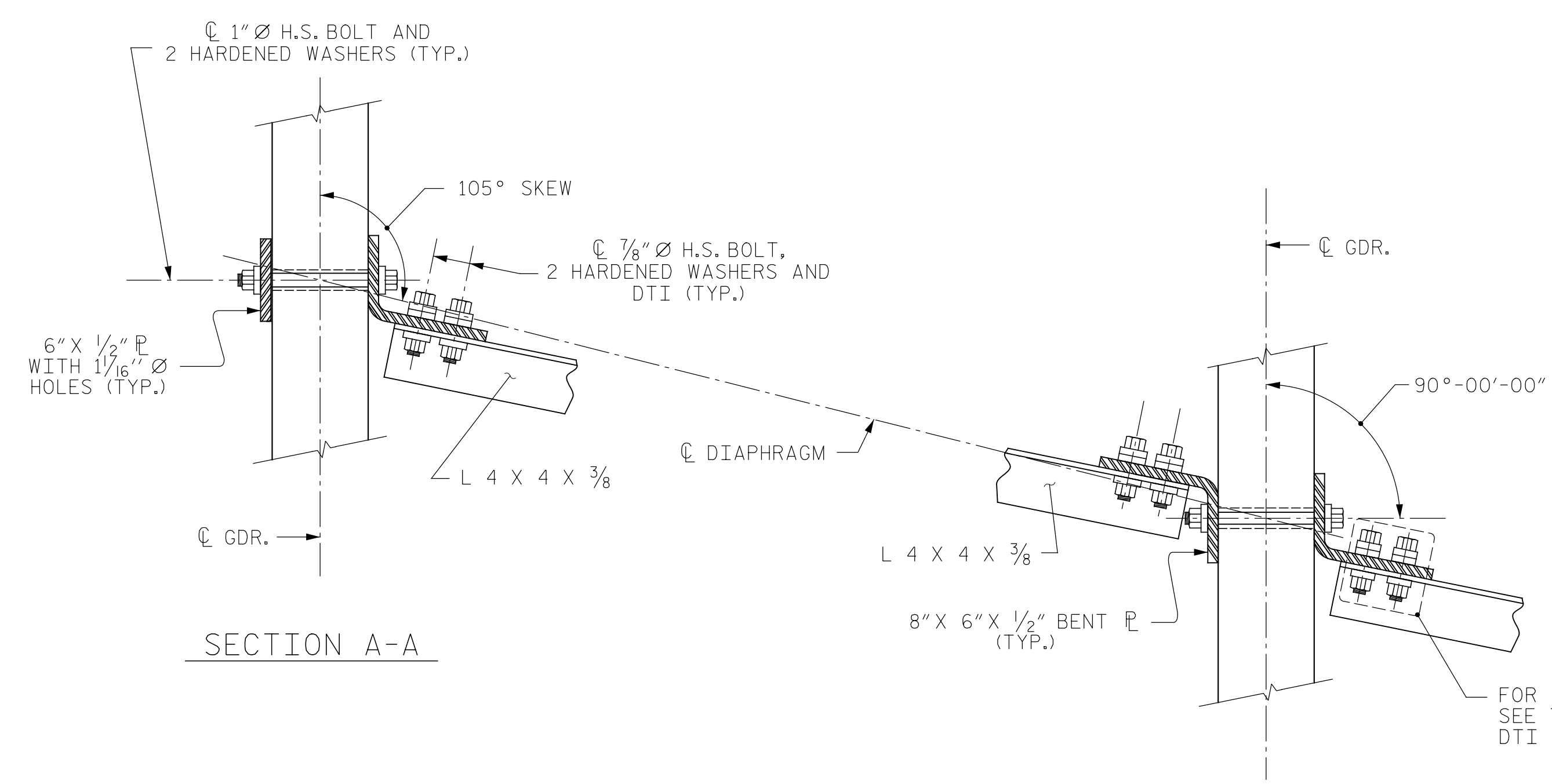
FOR BOLTS THROUGH THE GIRDER WEB, PROVIDE SUFFICIENT LENGTH OF THREADS ON ALL BOLTS TO ACCOMMODATE WASHERS AND THE THICKNESS OF CONNECTING MEMBER PLUS AT LEAST 1/4" PROJECTION BEYOND THE NUT.

INTERMEDIATE DIAPHRAGM ASSEMBLY SHALL COMPLY WITH SECTION 1072 OF THE STANDARD SPECIFICATIONS.

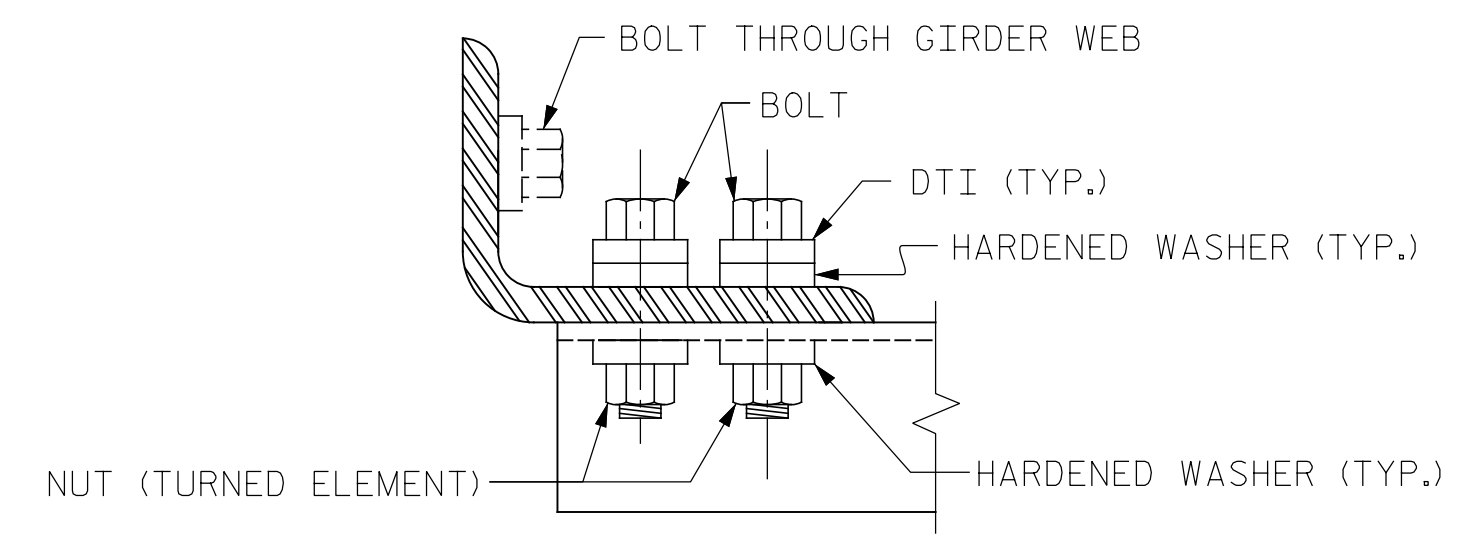
SUBMIT TWO SETS OF WORKING DRAWINGS FOR THE INTERMEDIATE DIAPHRAGM ASSEMBLY FOR REVIEW, COMMENTS AND ACCEPTANCE. AFTER REVIEW, COMMENTS, AND ACCEPTANCE, SUBMIT SEVEN SETS FOR DISTRIBUTION.

IN THE EXTERIOR BAYS, PLACE TEMPORARY STRUTS BETWEEN PRESTRESSED GIRDERS ADJACENT TO THE STEEL DIAPHRAGMS. STRUTS SHALL REMAIN IN PLACE 3 DAYS AFTER CONCRETE IS PLACED.

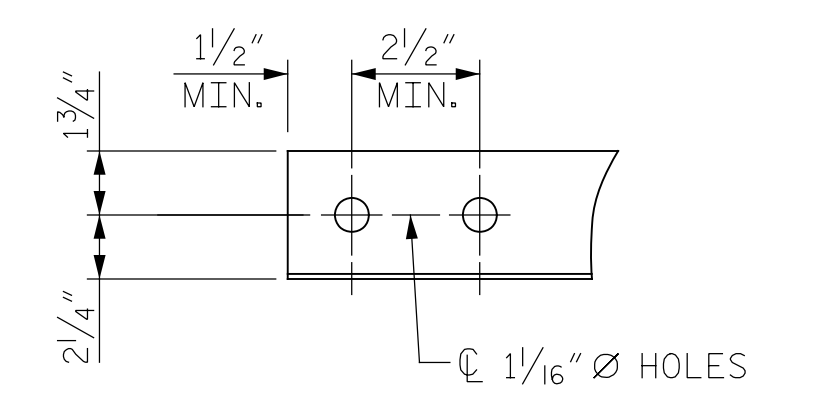
THE COST OF THE STEEL DIAPHRAGMS AND ASSEMBLIES SHALL BE INCLUDED IN THE UNIT PRICE BID FOR PRESTRESSED CONCRETE GIRDERS.



CONNECTION DETAILS



BOLT WITH DTI ASSEMBLY DETAIL

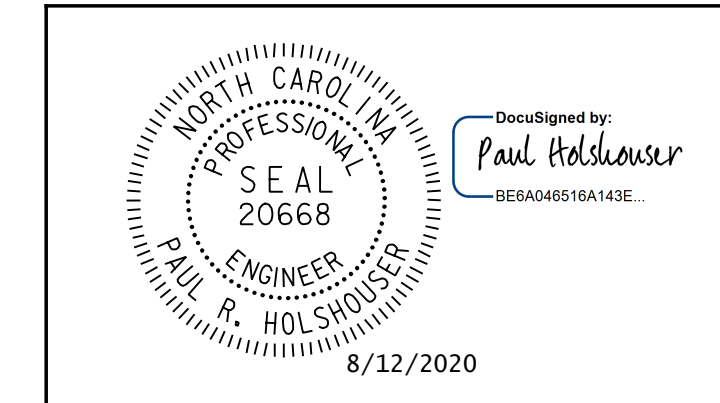


ANGLE END (L 4 X 4 X 3/8)

PROJECT NO. 48793.3.1
 BLADEN COUNTY
 STATION: 118+81.78 -L-

Pen Table: \\192.168.64.12\ncerdur\RDUCAD\Plotting\Pen Tables\ICE_NC_S\Struct.tbl
 Print Driver: \\192.168.64.12\ncerdur\RDUCAD\Plotting\NGD0T\22x34_PDF_ICE.pltcfgr
 Usernames: jim.austin
 File names: R:\Projects\19-77 Division 6 On Call\02 US 701 over Cape Fear River\NCDDOT\Structures\Dwg\Final\401-036_US_701-SWL_PCG_DET_01.dgn
 Plot Date: 8/11/2020 10:08:23 PM
 Plotter: R:\Projects\19-77 Division 6 On Call\02 US 701 over Cape Fear River\NCDDOT\Structures\Dwg\Final\401-036_US_701-SWL_PCG_DET_01.dgn

DRAWN BY: J. N. AUSTIN DATE: 6-11-20
 CHECKED BY: K. C. SAMUDRALA DATE: 7-14-20
 DESIGN E.O.R.: P. R. HOLSHOUSER DATE: 7-23-20



ICE of Carolinas, PLLC
 4505 Falls of Neuse Road, Suite 110
 Raleigh, North Carolina 27609
 Phone: 919-822-0333
 License #: P-0999

STATE OF NORTH CAROLINA DEPARTMENT OF TRANSPORTATION RALEIGH					
SUPERSTRUCTURE					
INTERMEDIATE STEEL DIAPHRAGMS					
78" FLORIDA I-BEAM (FIB)					
REVISIONS					
NO.	BY:	DATE:	NO.	BY:	DATE:
1			3		
2			4		
SHEET NO. S-36					TOTAL SHEETS 107

DOCUMENT NOT CONSIDERED FINAL
 UNLESS ALL SIGNATURES COMPLETED