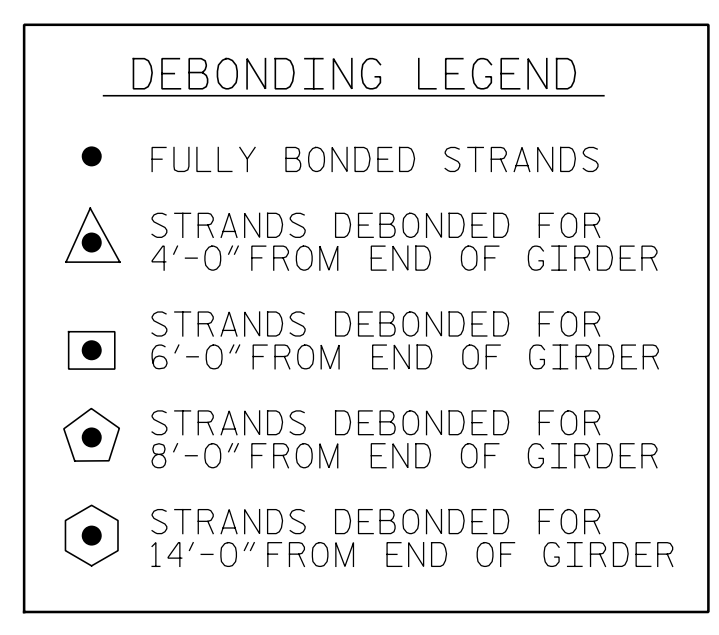
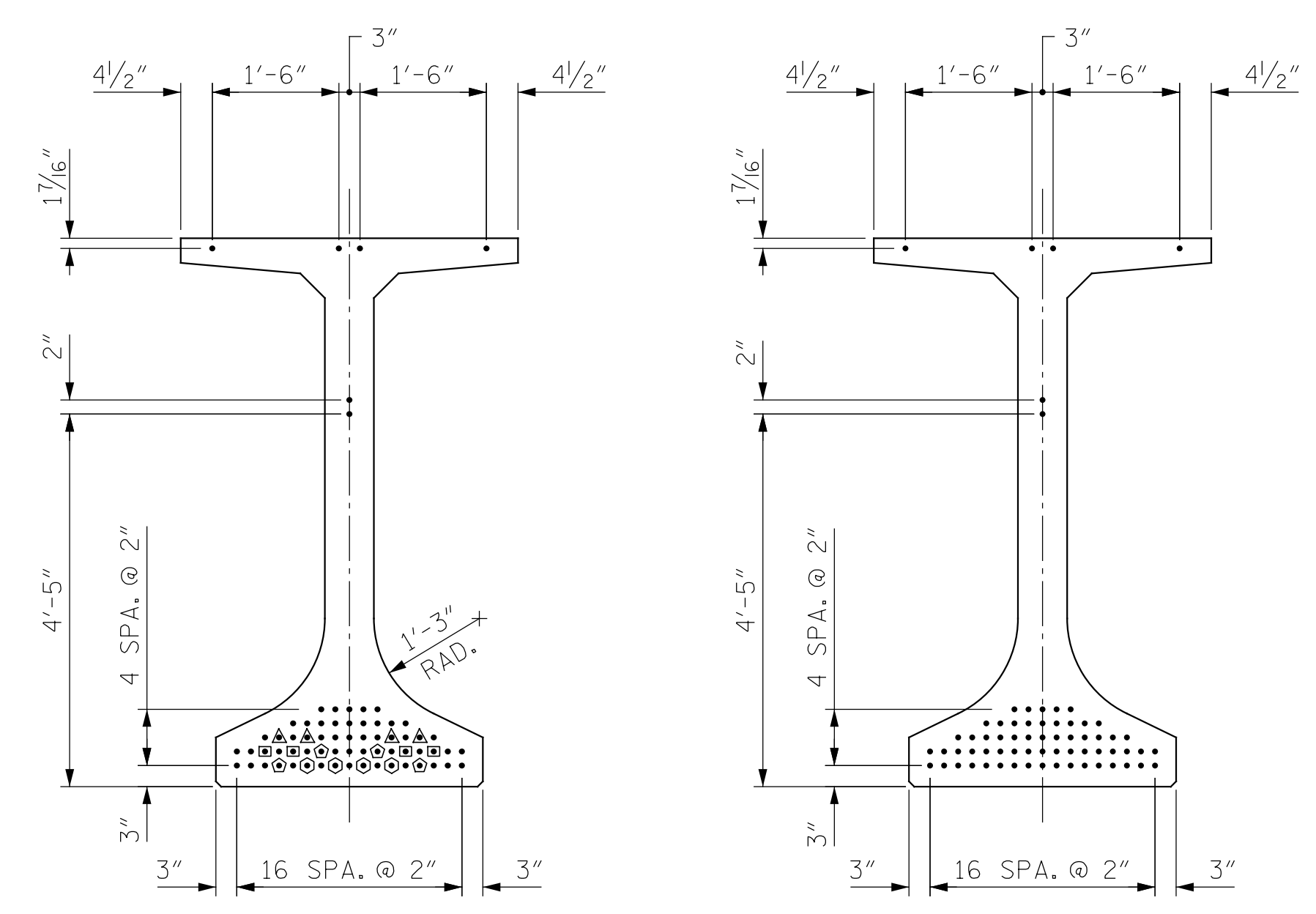


SECTION A-A

▲ FOR S7 BARS, SEE "DETAIL C" ON "78" FLORIDA I-BEAM (FIB) PRESTRESSED CONCRETE GIRDER CONTINUOUS FOR LIVE LOAD DETAILS" SHEET



◆ S2 BARS NOT SHOWN FOR CLARITY



AT END OF GIRDER  
AT C OF GIRDER  
0.6" Ø LOW RELAXATION STRAND LAYOUT

BAR TYPES		0.6" Ø L. R. GRADE 270 STRANDS		
NO.	SHAPE	AREA (SQ. INCHES)	ULTIMATE STRENGTH (LBS. PER STRAND)	APPLIED PRESTRESS (LBS. PER STRAND)
1	Rectangular	0.217	58,600	43,950
2	Triangular			
3	Triangular			
4	Rectangular			
5	Rectangular			
6	U-shaped			

REINFORCING STEEL FOR ONE GDR					
BAR NO.	NO.	SIZE	TYPE	LENGTH	WEIGHT
A1	8	6	STR	28' - 0"	336
S1	348	5	1	7' - 9"	2,813
S2	16	5	STR	6' - 0"	100
S3	14	4	5	8' - 5"	79
S4	40	3	2	3' - 2"	48
S5	292	3	3	4' - 3"	467
S6	348	5	4	4' - 9"	1,724
▲ S7	20	5	STR	3' - 8"	76
S8	62	5	STR	3' - 8"	237
S9	8	5	6	12' - 6"	104
S10	16	4	STR	8' - 0"	86

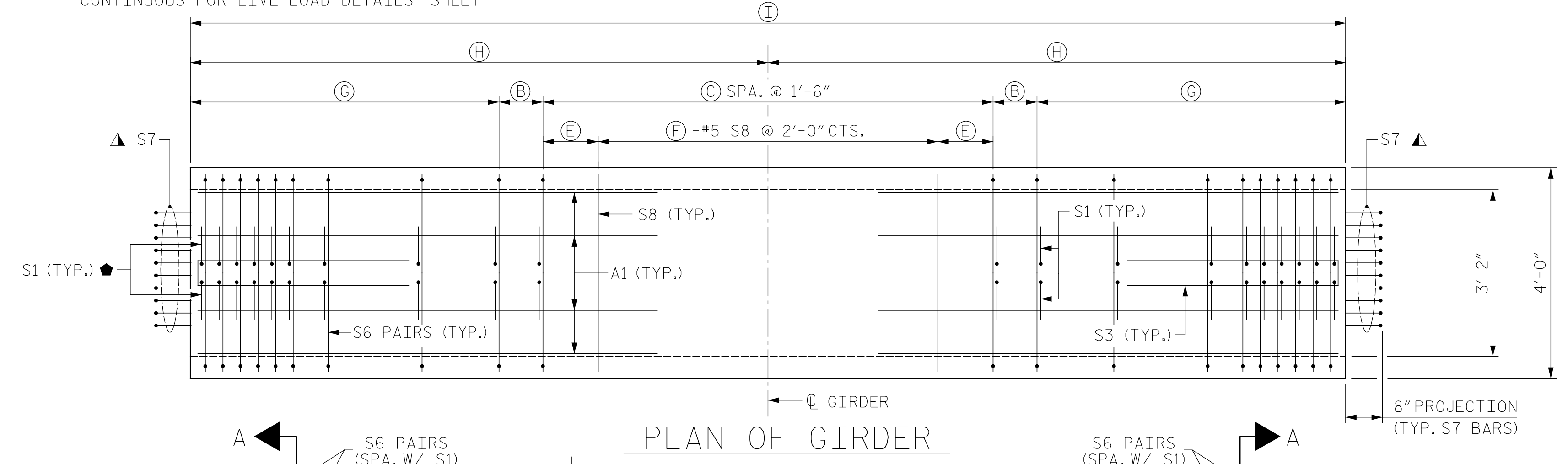
  

QUANTITIES FOR ONE GIRDER			
REINFORCING STEEL	9000 PSI CONCRETE	0.6" Ø L.R. STRANDS	
		LB.	C.Y.
GDR GGX	6,070	43.7	67

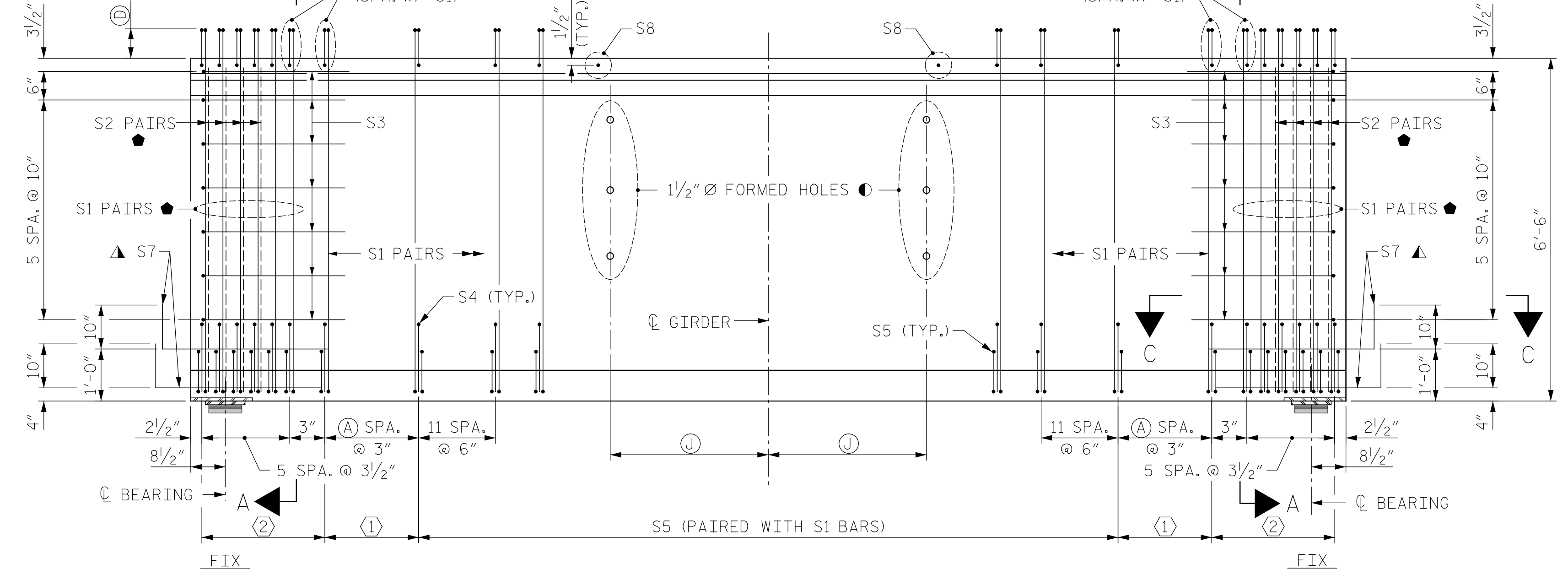
GIRDERS REQUIRED		
NUMBER	LENGTH	TOTAL LENGTH
9	154'-2"	1,387'-6"

▲ NOTE: S7 BARS SHALL BE BENT BEFORE SHIPMENT. HEAT BENDING SHALL NOT BE ALLOWED.



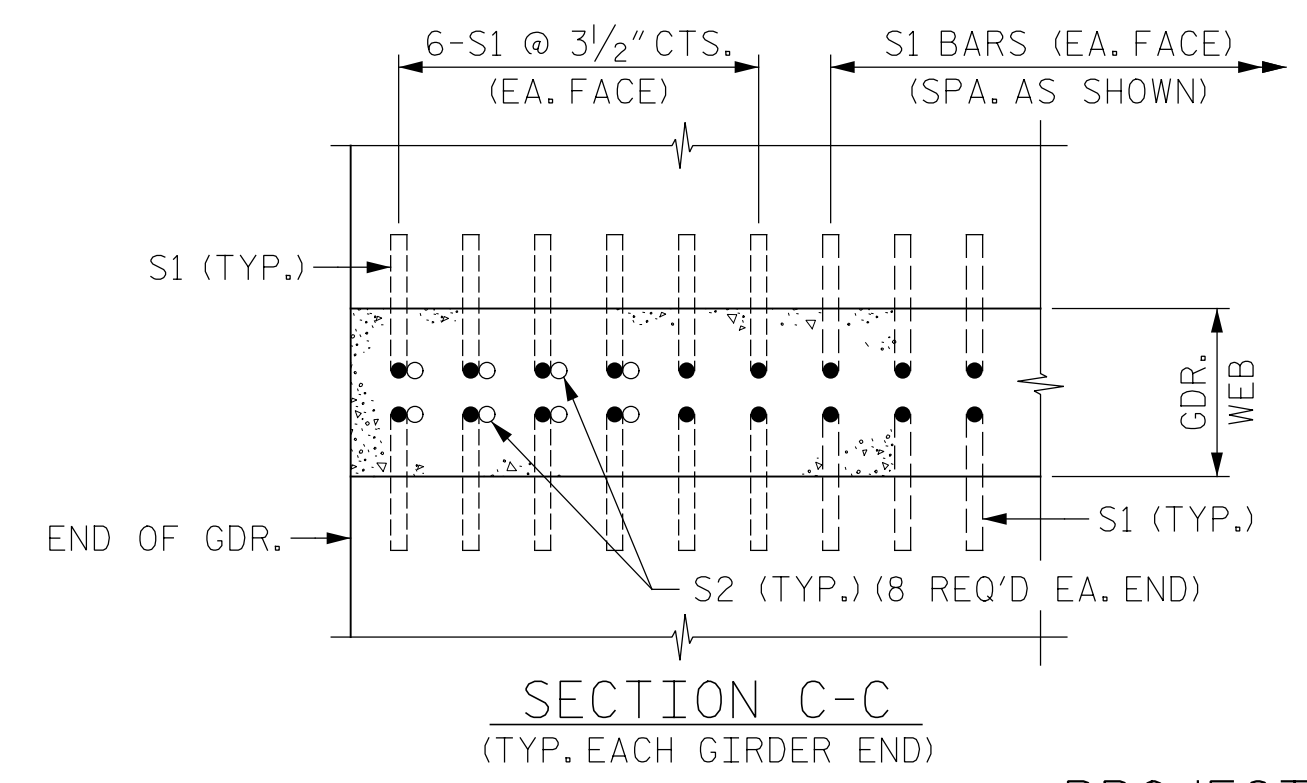
PLAN OF GIRDER

TABLE OF VARIABLES										
SPAN	A	B	C	D	E	F	G	H	I	J
G	27	8"	83	6"	9"	62	14'-2"	77'-1"	154'-2"	25'-5 1/2"



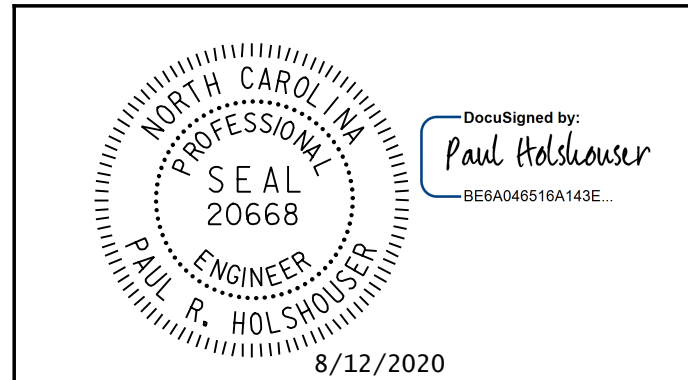
ELEVATION OF GIRDER

- ① 14-S4 & S5 PAIRS @ 6" CTS. (PAIRED WITH S1 BARS)
- ② S4 & S5 PAIRS (SPA. AS SHOWN) (PAIRED WITH S1 BARS)



SECTION C-C (TYP. EACH GIRDER END)

● SEE "SECTION C-C" FOR MORE INFORMATION & DETAILS  
 ● SEE "78" FLORIDA I-BEAM (FIB) PRESTRESSED CONCRETE GIRDER CONTINUOUS FOR LIVE LOAD DETAILS" SHEET FOR ADDITIONAL INFORMATION AND DETAILS.  
 S1 & S6 BARS MAY BE SHIFTED AS FOUND NECESSARY TO CLEAR 1/2" Ø HOLES IN GIRDER WEB



PROJECT NO. 48793.3.1  
 BLADEN COUNTY  
 STATION: 118+81.78 -L-  
 SHEET 7 OF 8

STATE OF NORTH CAROLINA DEPARTMENT OF TRANSPORTATION RALEIGH					
SUPERSTRUCTURE					
78" FLORIDA I-BEAM (FIB) SPAN G					
CONTINUOUS FOR LIVE LOAD PRESTRESSED CONCRETE GIRDER					
REVISIONS					
NO.	BY:	DATE:	NO.	BY:	DATE:
1			3		
2			4		

ICE of CAROLINAS, PLLC  
 4505 Falls of Neuse Road, Suite 110  
 Raleigh, North Carolina 27609  
 Phone: 919-822-0333  
 License #: P-9999

DOCUMENT NOT CONSIDERED FINAL  
 UNLESS ALL SIGNATURES COMPLETED

Pen Table: \\192.168.64.12\ncerdur\RDUCAD\Plotting\Pen Tables\ICE\_NC\_Struct.tbl  
 PPrint Driver: \\192.168.64.12\ncerdur\RDUCAD\Plotting\NGD0T\22x34\_PDF\_ICE.pltcfq  
 User name: jmausthin  
 File name: R:\Projects\19-77 Division 6 On Call\02 US 701 over Cape Fear River\NCDOT\Structures\Drawings\Final\401-034\_US\_701\_SWL\_PCG\_0\_01.dgn  
 Plot time: 8/11/2020 10:08:20 PM

DRAWN BY: B. J. MANTEI DATE: 7/16/20  
 CHECKED BY: N. REZAEI DATE: 7/16/20  
 DESIGN E.O.R.: P. R. HOLSHOUSER DATE: 7-23-20

SHEET NO. S-34  
 TOTAL SHEETS 107