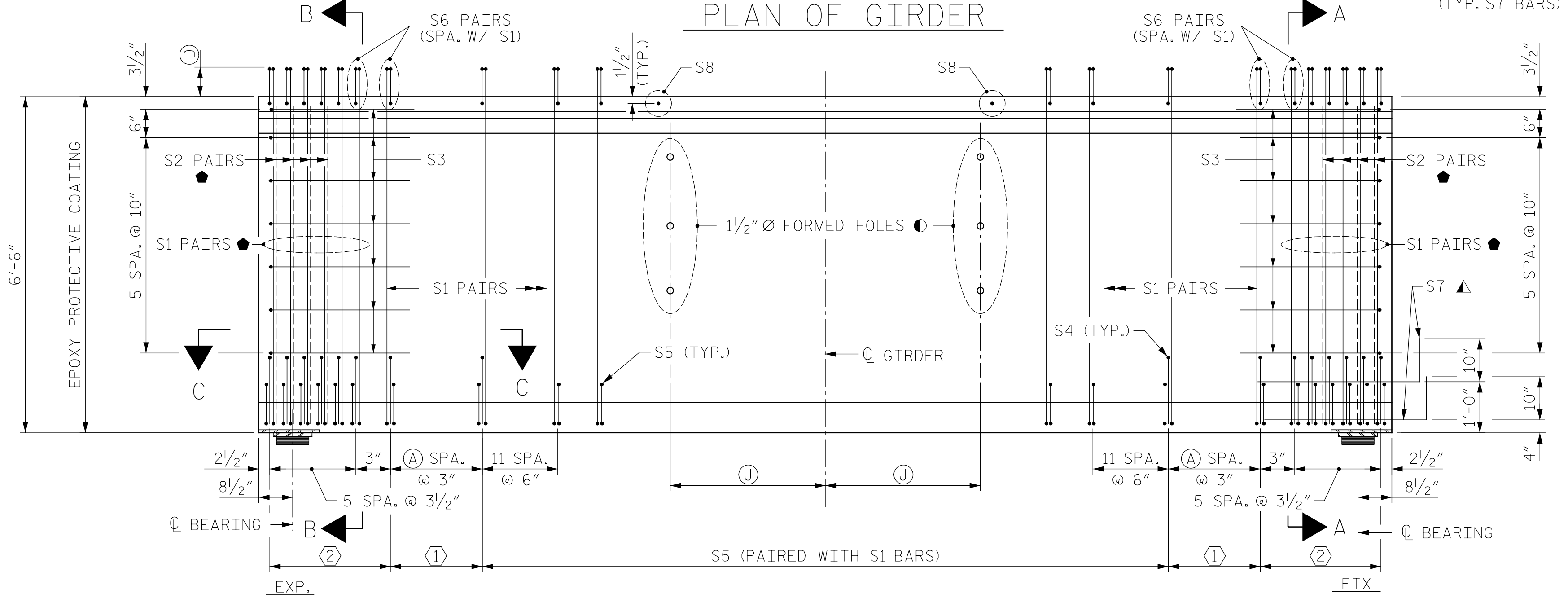
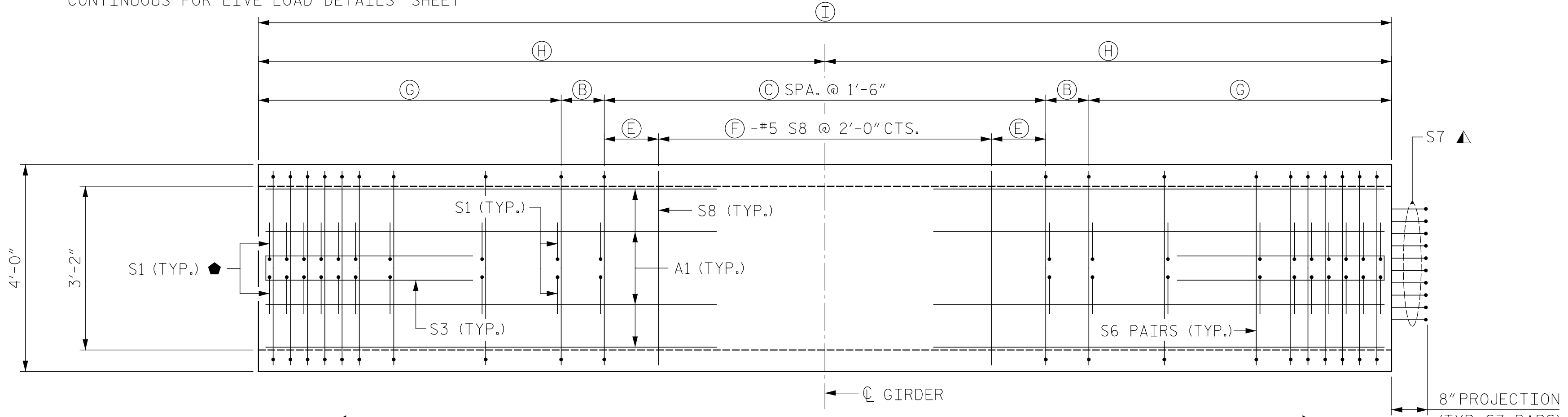


BAR TYPES		0.6" Ø L. R. GRADE 270 STRANDS	
①	6" x 6'-10"	AREA (SQ. INCHES)	ULTIMATE STRENGTH (LBS. PER STRAND)
②	6" x 6'-10"	0.217	58,600
③	6" x 6'-10"	APPLIED PRESTRESS (LBS. PER STRAND)	43,950
④	6" x 6'-10"	REINFORCING STEEL FOR ONE GDR	
⑤	6" x 6'-10"	BAR NO.	SIZE
⑥	6" x 6'-10"	TYPE	LENGTH
		WEIGHT	
		A1	8
		S1	346
		S2	16
		S3	14
		S4	40
		S5	290
		S6	346
		▲ S7	10
		S8	62
		S9	8
		S10	16
		QUANTITIES FOR ONE GIRDER	
		REINFORCING STEEL	9000 PSI CONCRETE
		0.6" Ø L.R. STRANDS	
		LB.	C.Y.
		GDR FGX	6,002
			43.5
			67
		GIRDERS REQUIRED	
		NUMBER	LENGTH
		TOTAL LENGTH	
		9	153'-8"
			1,383'-0"

ALL BAR DIMENSIONS ARE OUT-TO-OUT

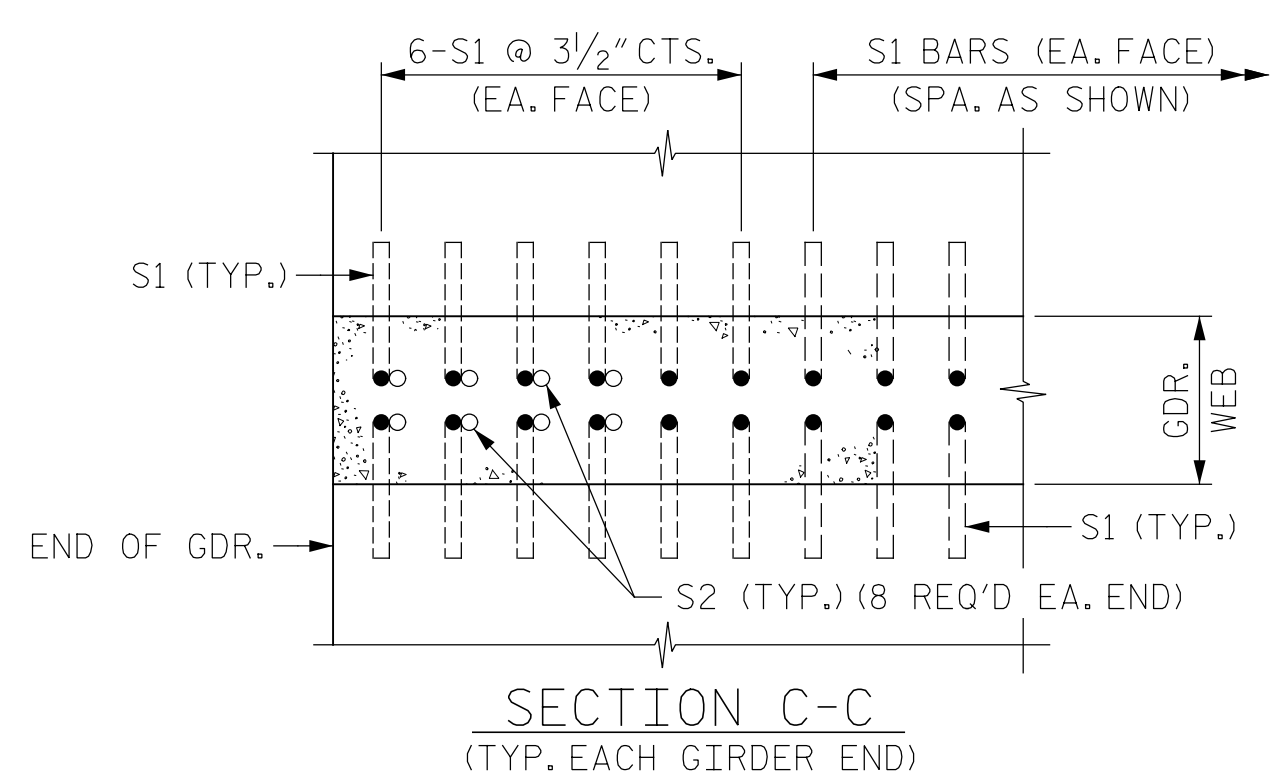
▲ FOR S7 BARS, SEE "DETAIL C" ON "78" FLORIDA I-BEAM (FIB) PRESTRESSED CONCRETE GIRDER CONTINUOUS FOR LIVE LOAD DETAILS" SHEET

▲ NOTE: S7 BARS SHALL BE BENT BEFORE SHIPMENT. HEAT BENDING SHALL NOT BE ALLOWED.



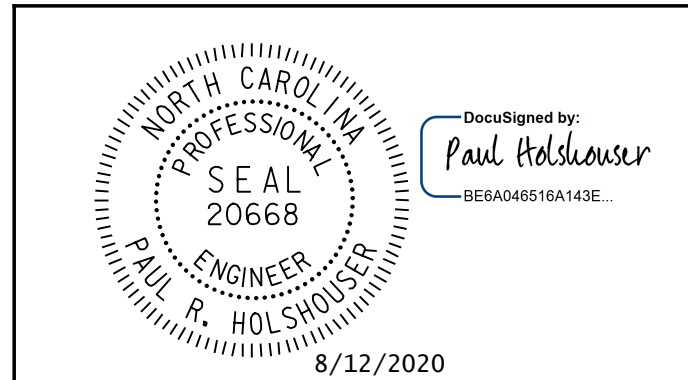
DEBONDING LEGEND	
●	FULLY BONDED STRANDS
▲	STRANDS DEBONDED FOR 4'-0" FROM END OF GIRDER
■	STRANDS DEBONDED FOR 6'-0" FROM END OF GIRDER
◊	STRANDS DEBONDED FOR 8'-0" FROM END OF GIRDER
⬠	STRANDS DEBONDED FOR 14'-0" FROM END OF GIRDER

TABLE OF VARIABLES										
SPAN	A	B	C	D	E	F	G	H	I	J
F	27	1'-2"	82	7 1/2"	6"	62	14'-2"	76'-10"	153'-8"	25'-4 1/2"



● SEE "SECTION C-C" FOR MORE INFORMATION & DETAILS
 ● SEE "78" FLORIDA I-BEAM (FIB) PRESTRESSED CONCRETE GIRDER CONTINUOUS FOR LIVE LOAD DETAILS" SHEET FOR ADDITIONAL INFORMATION AND DETAILS.

S1 & S6 BARS MAY BE SHIFTED AS FOUND NECESSARY TO CLEAR 1/2" Ø HOLES IN GIRDER WEB



PROJECT NO. 48793.3.1
 BLADEN COUNTY
 STATION: 118+81.78 -L-
 SHEET 6 OF 8

STATE OF NORTH CAROLINA
 DEPARTMENT OF TRANSPORTATION
 RALEIGH
 SUPERSTRUCTURE
 78" FLORIDA I-BEAM (FIB)
 SPAN F
 CONTINUOUS FOR LIVE LOAD
 PRESTRESSED CONCRETE GIRDER

REVISIONS						SHEET NO.
NO.	BY:	DATE:	NO.	BY:	DATE:	S-33
1			3			TOTAL SHEETS
2			4			107

DRAWN BY: B. J. MANTEI DATE: 7/16/20
 CHECKED BY: N. REZAEI DATE: 7/16/20
 DESIGN E.O.R.: P. R. HOLSHOUSER DATE: 7-23-20

ELEVATION OF GIRDER

- ① 14-S4 & S5 PAIRS @ 6" CTS. (PAIRED WITH S1 BARS)
- ② S4 & S5 PAIRS (SPA. AS SHOWN) (PAIRED WITH S1 BARS)

DOCUMENT NOT CONSIDERED FINAL UNLESS ALL SIGNATURES COMPLETED

ICE of CAROLINAS, PLLC
 4505 Falls of Neuse Road, Suite 110
 Raleigh, North Carolina 27609
 Phone: 919-822-0333
 License # P-9999

Pen Table: \\192.168.64.12\ncerd\RDUCAD\Plotting\Pen Tables\ICE_NC_S\struct.tbl
 PPrint Driver: \\192.168.64.12\ncerd\RDUCAD\Plotting\NGD0T\22x34_PDF_ICE.plt
 Usernames: jim.austin
 File names: R:\Projects\19-77 Division 6 On Call\02 US 701 over Cape Fear River\NC00T\Structures\Drawings\Final\401-033_US_701_SWL_PCG_F_01.dgn
 PlotHead: 8/12/2020 8:36:49 AM