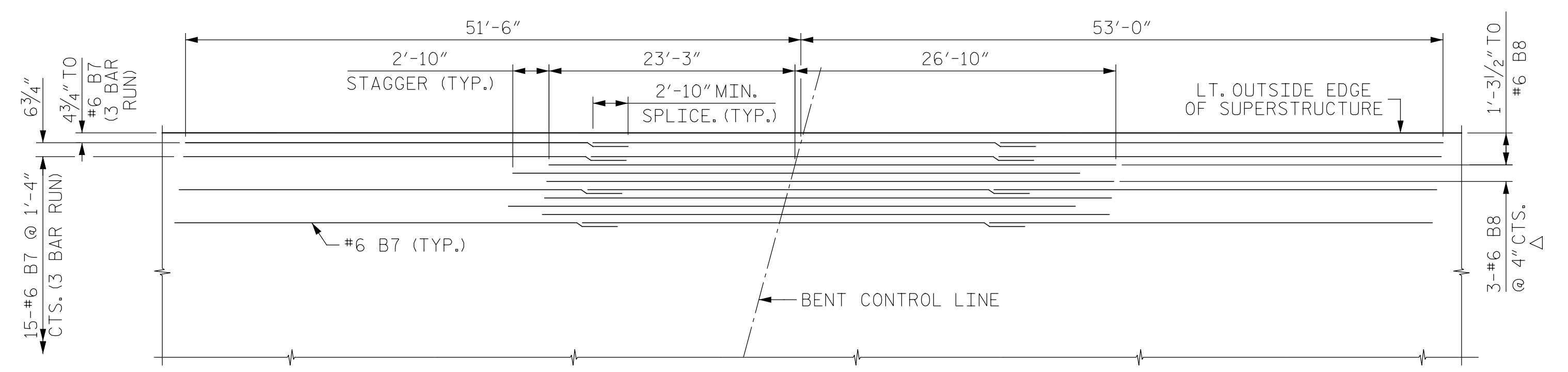


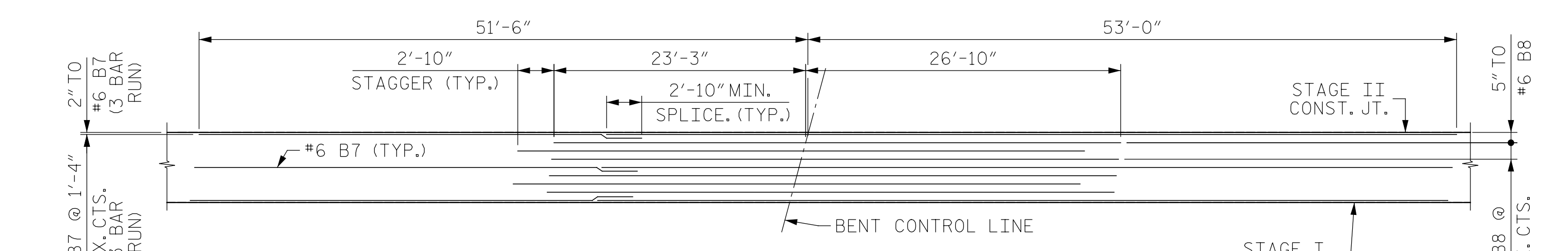
**BENT 1, 2, 4, 6 & 7 DIAPHRAGM REINFORCING DETAIL**  
 BENT 1 SHOWN, BENTS 2,4,6 & 7 SIMILAR

- (A) 1'-7" MIN, #4 "K" SPLICE (TYP.)
- (B) #4 S3 (TYP. EA. BAY)
- (C) 2-#4 U1 @ 1'-0" MAX. CTS.
- (D) #4 S4 (22 REQ'D)



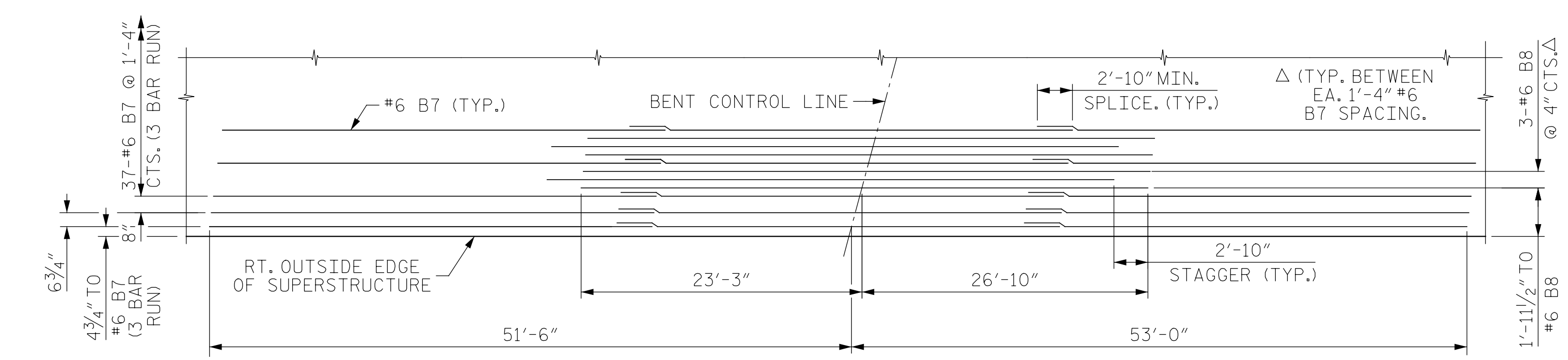
**DETAIL C - BENTS 1, 2, 4, 6 & 7**  
 STAGE II (TOP OF SLAB ONLY)  
 #6 B8 ALTERNATE STAGGER ABOUT BENT CONTROL LINE

Δ (TYP. BETWEEN EA. 1'-4" #6 B7 SPACING.)



**DETAIL D - BENTS 1, 2, 4, 6 & 7**  
 CLOSURE POUR (TOP OF SLAB ONLY)  
 #6 B8 ALTERNATE STAGGER ABOUT BENT CONTROL LINE

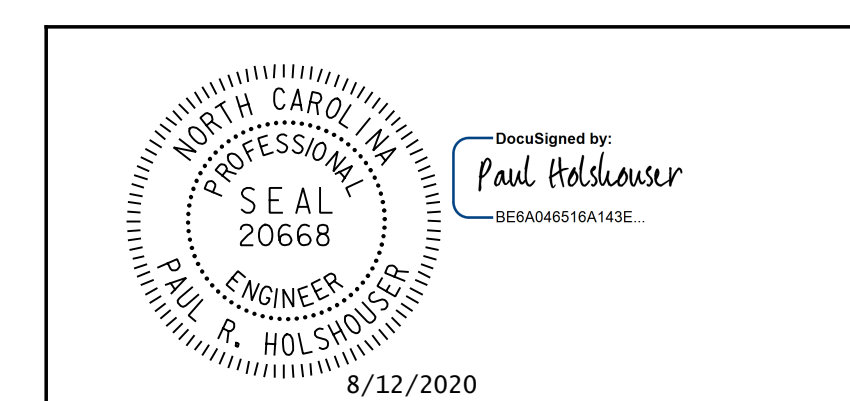
Δ (TYP. BETWEEN EA. 1'-4" MAX. #6 B7 SPACING.)



**DETAIL E - BENTS 1, 2, 4, 6 & 7**  
 STAGE I (TOP OF SLAB ONLY)  
 #6 B8 ALTERNATE STAGGER ABOUT BENT CONTROL LINE

Δ (TYP. BETWEEN EA. 1'-4" #6 B7 SPACING.)

PROJECT NO. 48793.3.1  
BLADEN COUNTY  
 STATION: 118+81.78 -L-  
 SHEET 7 OF 8



STATE OF NORTH CAROLINA  
 DEPARTMENT OF TRANSPORTATION  
 RALEIGH  
 SUPERSTRUCTURE  
 PLAN OF SPANS  
 DETAILS

DRAWN BY : N. D'AIUTO DATE : 7-15-20  
 CHECKED BY : N. REZAEI DATE : 7-21-20  
 DESIGN E.O.R. : P. R. HOLSHOUSER DATE : 7-23-20

DOCUMENT NOT CONSIDERED FINAL  
 UNLESS ALL SIGNATURES COMPLETED

ICE of Carolinas, PLLC  
 4505 Falls of Neuse Road, Suite 110  
 Raleigh, North Carolina 27609  
 Phone: 919-822-0333  
 License #: P-0999

REVISIONS						SHEET NO. S-23
NO.	BY:	DATE:	NO.	BY:	DATE:	
1			3			TOTAL SHEETS 107
2			4			