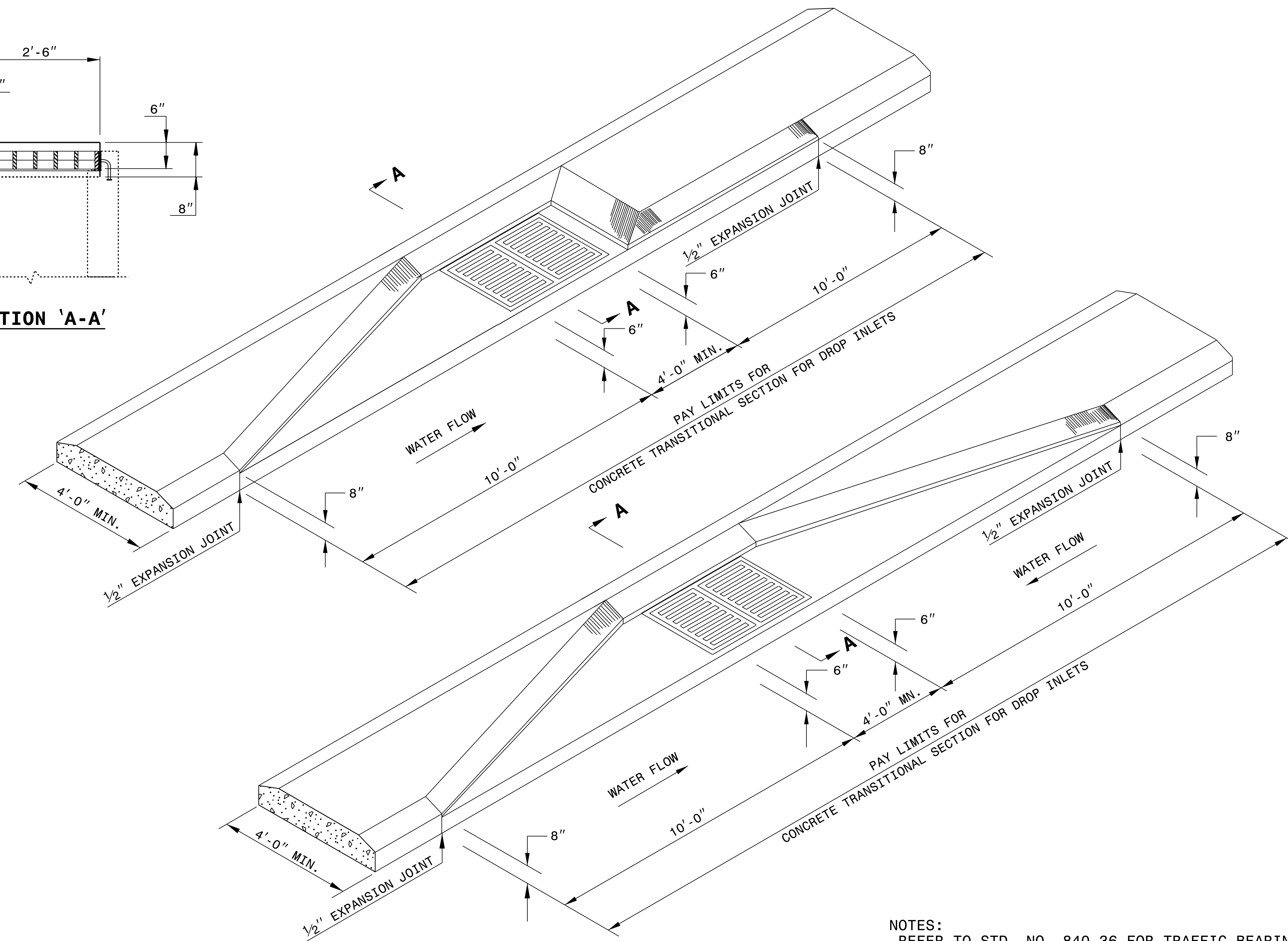
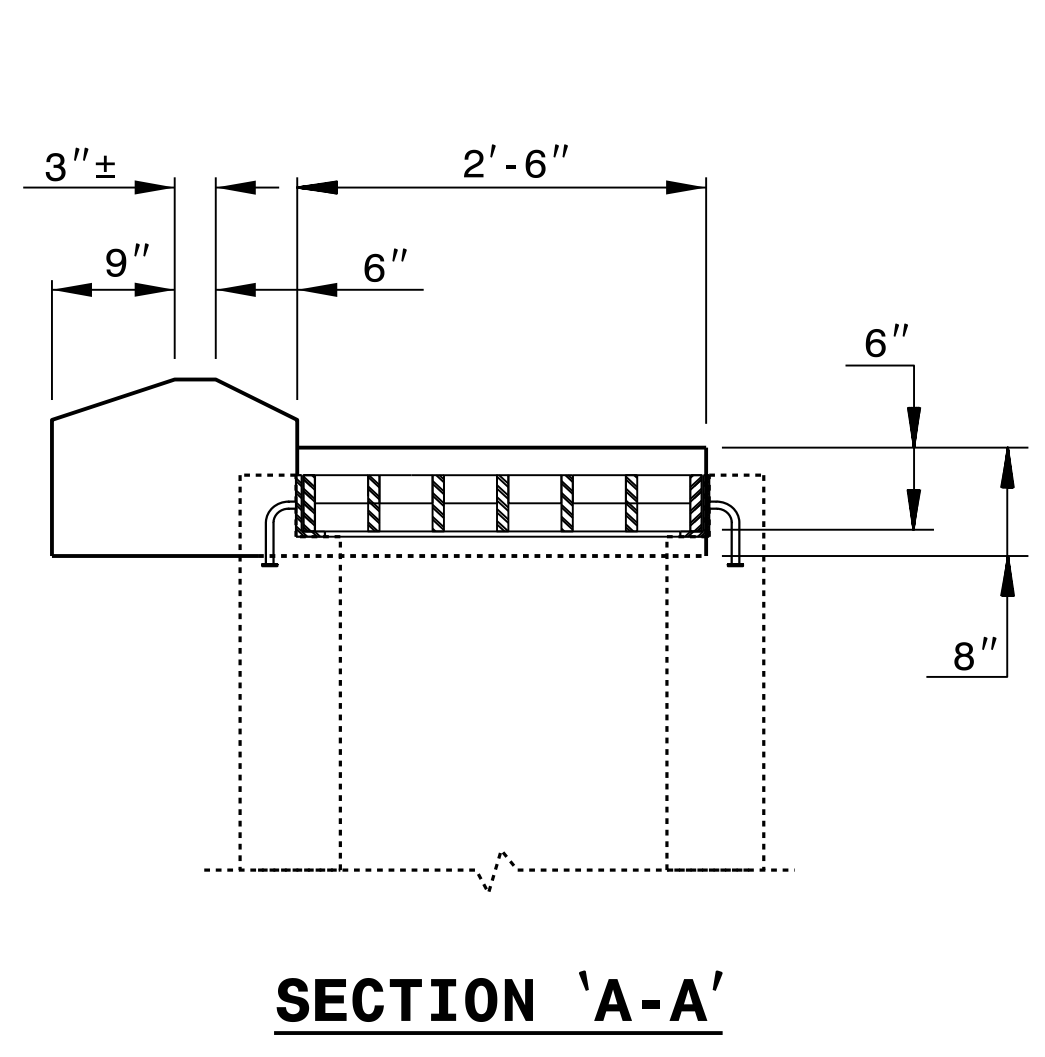


STATE OF
NORTH CAROLINA
DEPT. OF TRANSPORTATION
DIVISION OF HIGHWAYS
RALEIGH, N.C.

ENGLISH DETAIL DRAWING FOR
**METHOD FOR PLACEMENT OF
DROP INLETS IN CONCRETE ISLANDS**

SHEET 1 OF 1
852D06



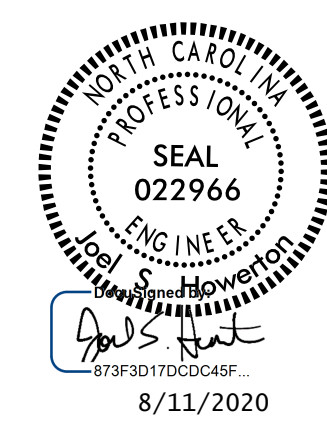
NOTES:
-REFER TO STD. NO. 840.36 FOR TRAFFIC BEARING DRAINAGE STRUCTURE.
-REFER TO STD. NO. 840.37 FOR STEEL GRATE AND FRAME.

STATE OF
NORTH CAROLINA
DEPT. OF TRANSPORTATION
DIVISION OF HIGHWAYS
RALEIGH, N.C.

ENGLISH DETAIL DRAWING FOR
**METHOD FOR PLACEMENT OF
DROP INLETS IN CONCRETE ISLANDS**

SHEET 1 OF 1
852D06

16-JUL-2018 09:47 S:\Contracts\Projects\Special\Details\kempf\english\852D0601.dgn J:\power\ton AT_CSD-2\2595



CONTRACT STANDARDS AND DEVELOPMENT UNIT
Office 919-707-6950 FAX 919-250-4119

SEE TITLE PLATE

ORIGINAL BY: KKEMPF DATE: 8/2/10
MODIFIED BY: DATE:
CHECKED BY: DATE:
FILE SPEC.: KKEMPF\ENGLISH\852D0601.DGN