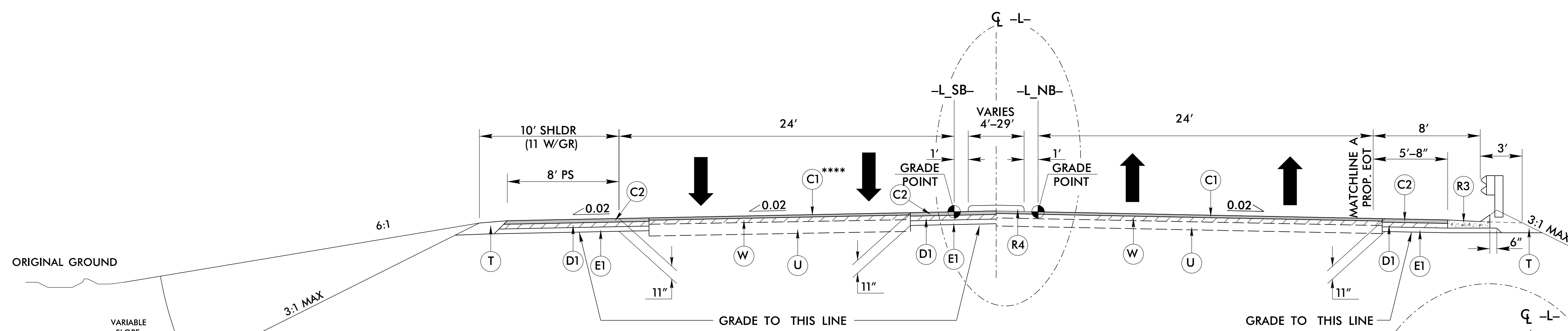
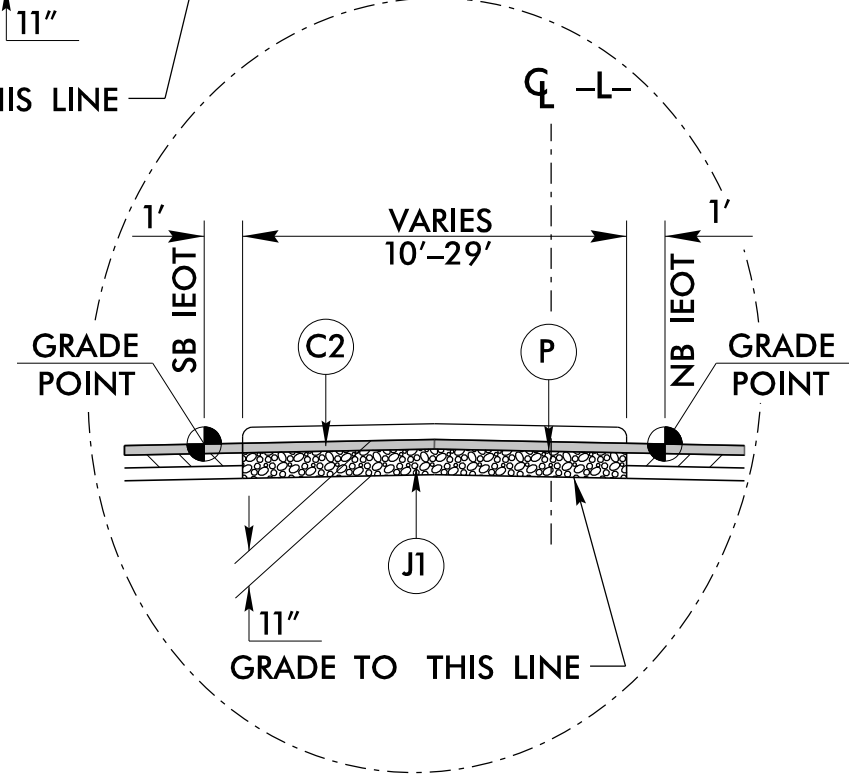


PROJECT REFERENCE NO. <b>15806.1009011</b>	SHEET NO. <b>2A-4</b>
ROADWAY DESIGN ENGINEER 	PAVEMENT DESIGN ENGINEER 
<b>DOCUMENT NOT CONSIDERED FINAL UNLESS ALL SIGNATURES COMPLETED</b>	
<small>ICE of Carolinas, PLLC 4505 Falls of Neuse Road, Suite 110 Raleigh, North Carolina 27609 Phone: 919-822-0353 License #: P-9999</small>	



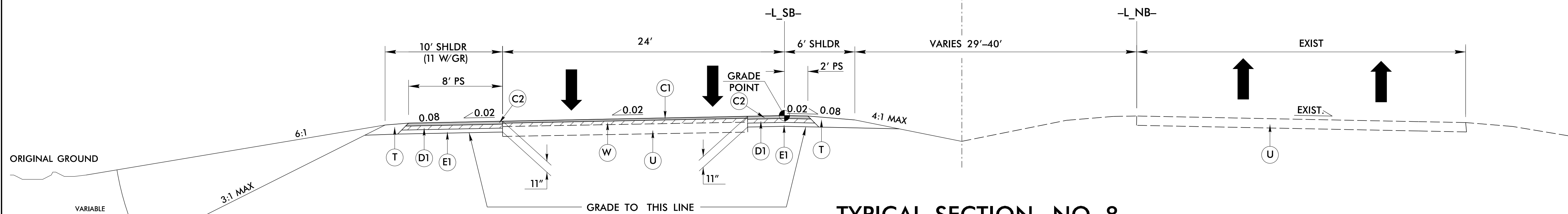
\*\*\*\*NOTE:  
FULL DEPTH PAVEMENT ON SOUTHBOUND FROM 125+40.82 TO APPROX. STA. 130+50  
RESURFACE SB SIDE FROM APPROX. STA. 130+50.00 TO 137+00.00

**TYPICAL SECTION NO. 7**  
-L- STA. 125+40.82 TO -L- STA. 132+00.00

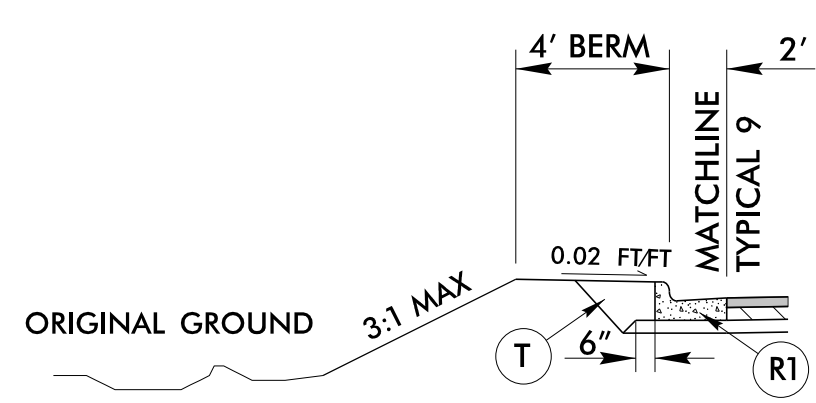


**TYPICAL SECTION NO. 7A**  
USE IN CONJUNCTION W/TYPICAL SECTION NO. 7  
WHEN MONOLITHIC ISLAND WIDTH GREATER THAN 10'  
APPROX. -L- STA. 128+33.77 TO -L- STA. 132+00.00

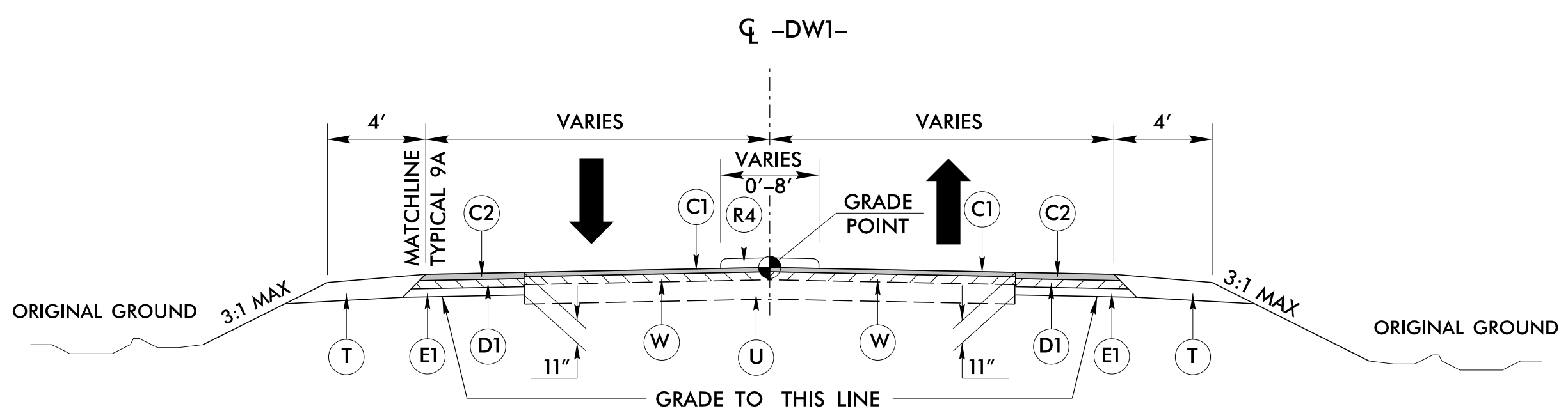
PAVEMENT SCHEDULE	
C1	1.5" S9.5C
C2	3.0" S9.5C
C3	VAR. S9.5C
D1	4" I19.0C
D2	VAR. I19.0C
E1	4" B25.0C
J1	8" ABC
P	PRIME COAT
R1	2'-6" C&G
R2	1'-6" C&G
R3	SBG
R4	5" CONC. ISLAND
T	EARTH MATERIAL
U	EXIST PAVEMENT
V1	1 1/2" MILL
V2	INCIDENTAL MILLING
W	WEDGING



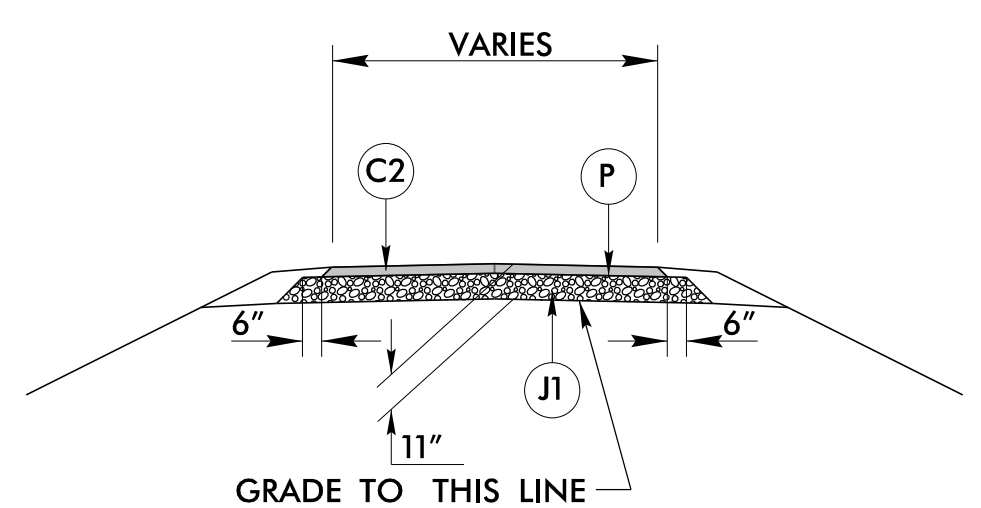
**TYPICAL SECTION NO. 8**  
-L- STA. 132+00.00 TO -L- STA. 137+00.00



**TYPICAL SECTION NO. 9A**  
USE IN CONJUNCTION WITH TYPICAL SECTION NO. 9  
SEE PLANS FOR LOCATION



**TYPICAL SECTION NO. 9**  
-DWI- STA. 10+24.36 TO -DWI- STA. 11+30.00



**TYPICAL SECTION NO. 10**  
TEMPORARY PAVEMENT (LESS THAN 1.5 YEARS)  
SEE TRAFFIC CONTROL PLANS OR AS DIRECTED  
BY THE ENGINEER

6/2/99  
2/4/07 PM  
R:\Projects\19-77 Division 6 On Call\02 US 701 over Cape Fear River\NCDOT\Roadway\Proj\US701-L-rd-j-tye.dgn  
Corbin Jackson